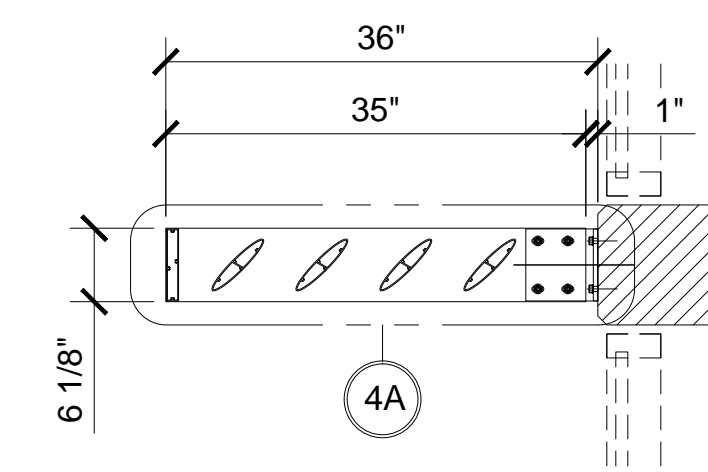
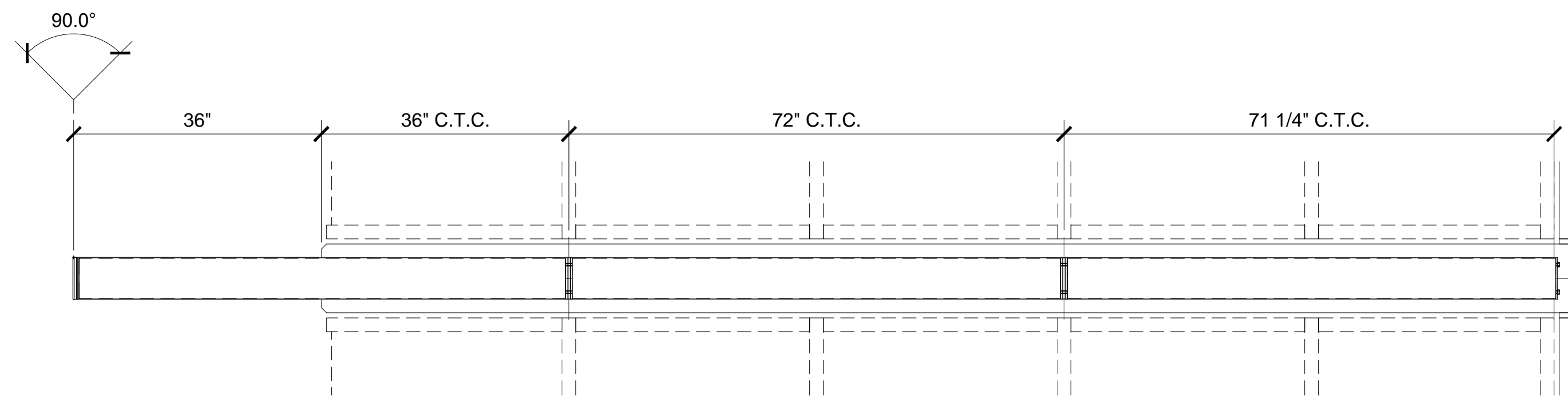
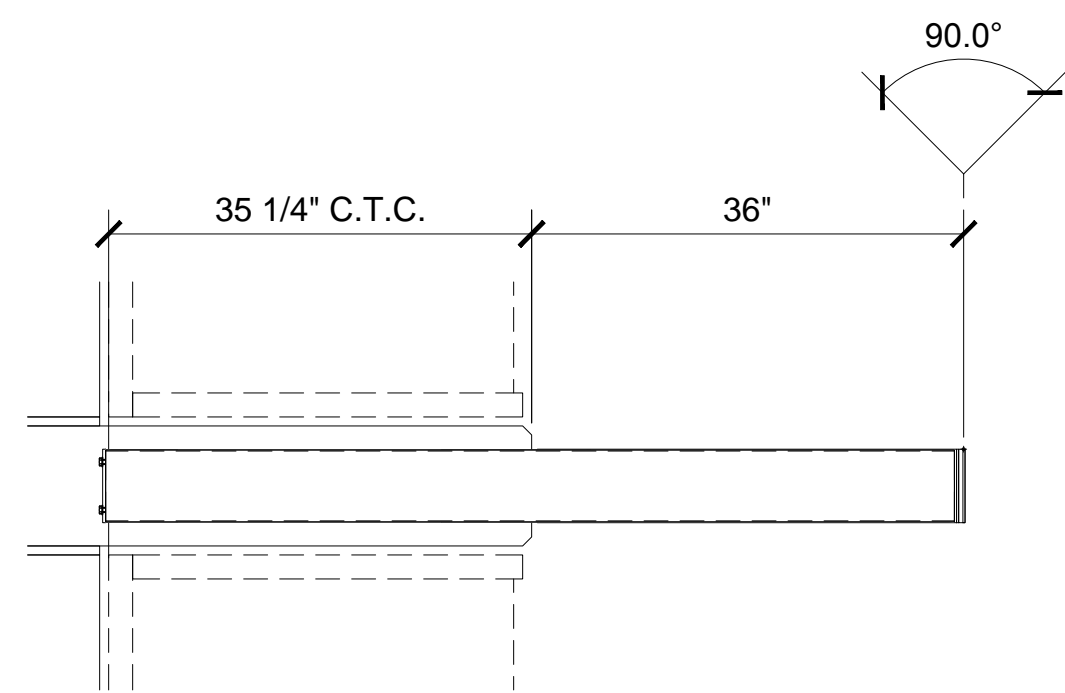


PLAN



ELEVATIONS

SECTION

CRL US ALUMINUM SUNSHADE SYSTEM 1230 SERIES

6" SQUARE OUTRIGGER WITH 1X6" RECTANGULAR FASCIA AND 6" AIRFOIL INFILL BLADES

OUTRIGGER

- 9 STANDARD OUTRIGGER STYLES
- *OUTRIGGERS AVAILABLE IN FIVE STANDARD NOMINAL LENGTHS: 24", 30", 36", 42" AND 48"
- * CUSTOM HEIGHTS AND LENGTHS ARE AVAILABLE
- * CUSTOM CORNER OUTRIGGER ARE AVAILABLE

FINISHES

- 5 STANDARD FINISHES:
 - * MILL
 - * SATIN ANODIZED
 - * DARK BRONZE ANODIZED
 - * POWDER COAT
 - * KYNAR PAINT

MOUNTING BRACKET

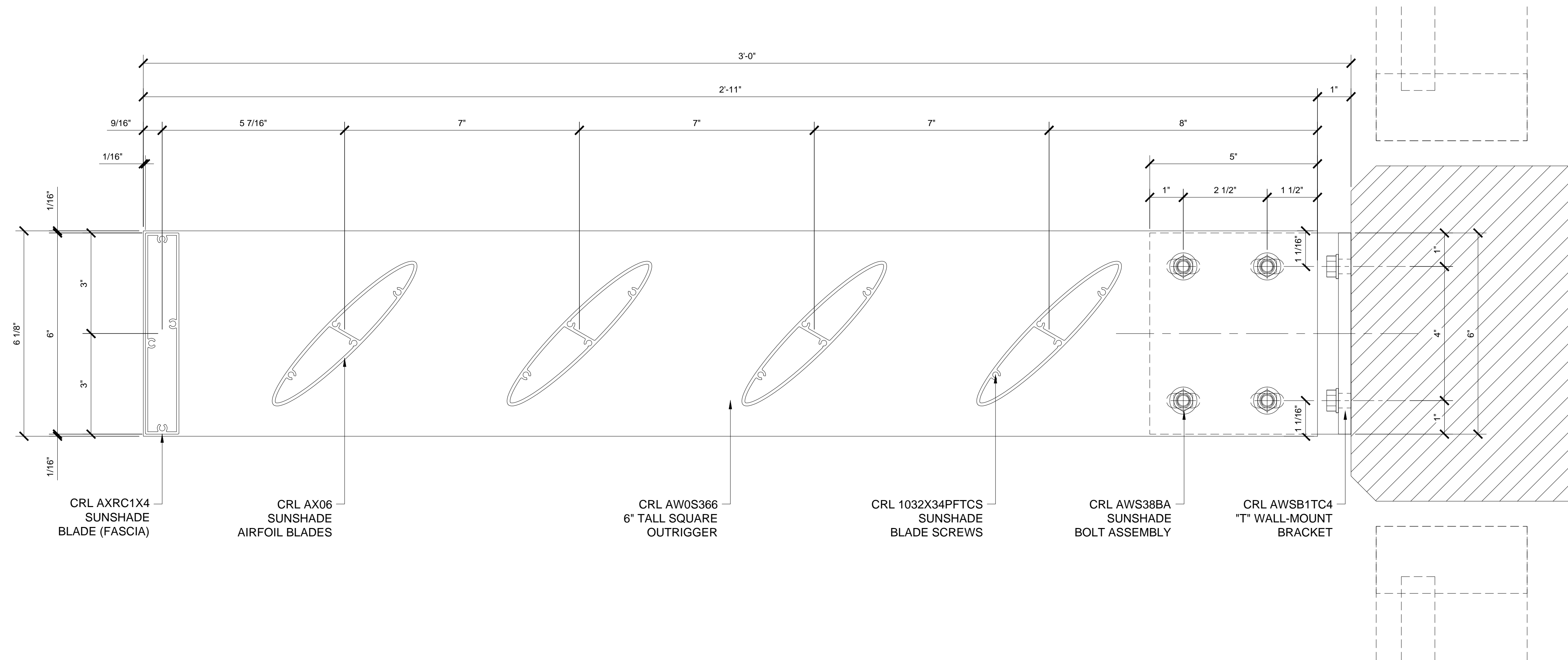
- * 5 DIFFERENT MOUNTING OPTIONS
 - WALL MOUNT BRACKET
 - UNIVERSAL CURTAIN WALL MOUNT
 - CURTAIN WALL MOUNT (MULLION WEB MOUNT)
 - STRUCTURAL SILICONE CURTAIN WALL MOUNT
 - STOREFRONT SURFACE MOUNT
- * CUSTOM MOUNTING BRACKETS ARE AVAILABLE
- * CUSTOM CORNER MOUNTING BRACKETS ARE AVAILABLE

FASCIA

- *14 DIFFERENT FASCIA OPTIONS
 - SQUARE TUBE FASCIA (2 STD. SIZES)
 - "C" CHANNEL FASCIA (2 STD. SIZES)
 - ROUND TUBE FASCIA (2 STD. SIZES)
 - BULLNOSE FASCIA (2 STD. SIZES)
 - 6" BULLNOSE
 - 12" BULLNOSE
 - TAPERED NOSE FASCIA
 - TEAR DROP TWO-PIECE FASCIA
 - SQUARE TWO-PIECE FASCIA
 - ROUND TWO-PIECE FASCIA

INFILL BLADES

- * 37 DIFFERENT INFILL BLADE OPTIONS
 - AIR FOIL BLADES (5 STD. SIZES)
 - ROUND TUBE BLADES (5 STD. SIZES)
 - SQUARE TUBE BLADES (5 STD. SIZES)
 - RECTANGULAR TUBE BLADES (5 STD. SIZES)
 - FLAT BAR EXTRUDED BLADES (12 STD. SIZES)
 - 1/8" THICK BLADES (5 SIZES)
 - 1/4" THICK BLADES (7 SIZES)
 - "C", "S" AND "Z", EXTRUDED BLADES
 - "C" SHAPED BLADES (1 SIZE)
 - "S" SHAPED BLADES (2 SIZES)
 - "Z" SHAPED BLADES (2 SIZES)



Discription:
CRL U.S. ALUMINUM
ARCHITECTURAL
SUNSHADE SYSTEMS
SERIES 1230

Drawn By: VM
Date: 01/17/14
Scale: 6" = 1'-0"
File Name: CRLUSAL.SS 1230.dwg
Sheet

CRL 36" SUNSHADE SECTION DETAIL
6" TALL SQUARE OUTRIGGER WITH 1X6" RECTANGULAR FASCIA AND 6" AIRFOIL INFILL BLADES

