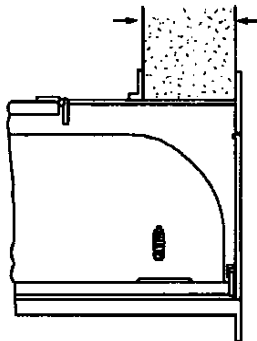


## Installation Instructions

### Cat. No. TD1724TW Thru-Wall Transaction Drawer

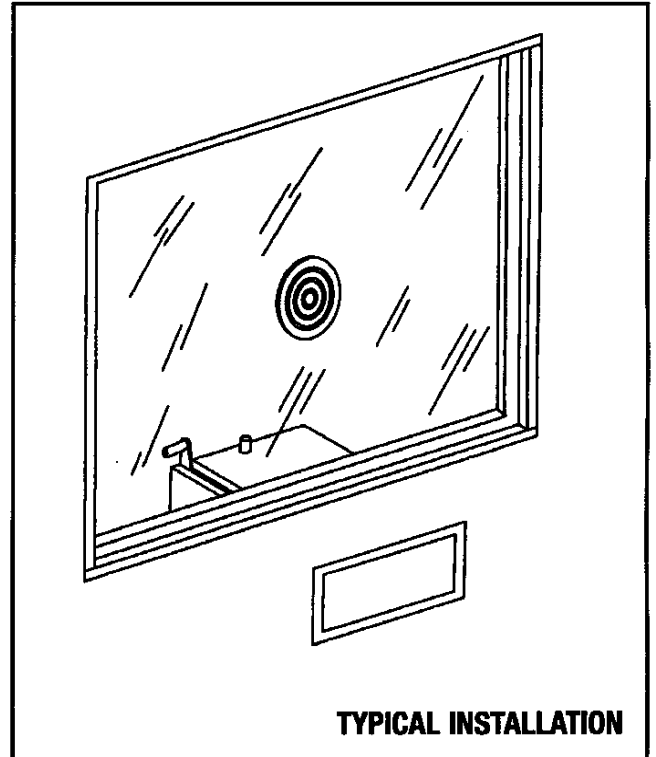
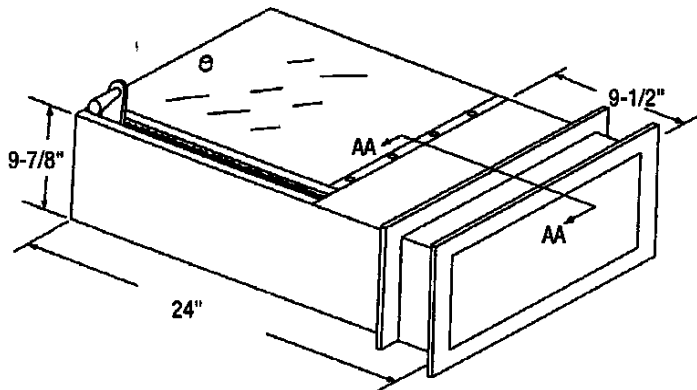
#### CONTENTS:

- 1 Assembled Deal Tray
- 1 Instruction Sheet



SECTION-AA

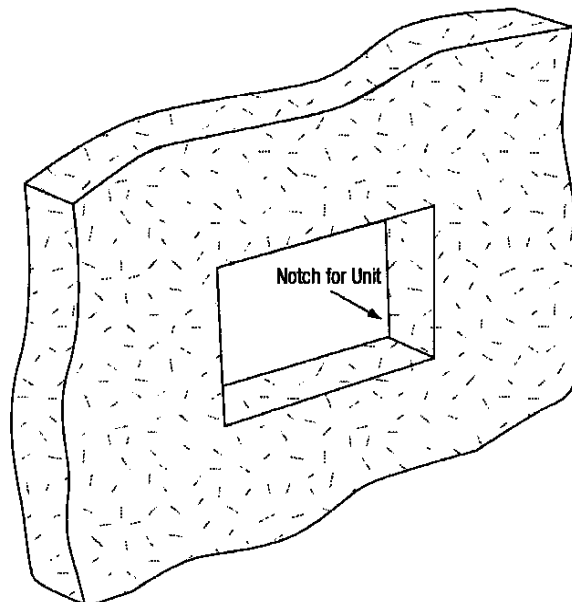
NOTE: From the front edge of the wall to the back edge of the stainless steel top shelf is 9-1/2". No wall over 9-1/2" wide can be used as it would interfere with raising the Lexan Lid.



TYPICAL INSTALLATION

#### TYPICAL INSTALLATION - THRU WALL APPLICATION

(See Following Pages For Installation Instructions)



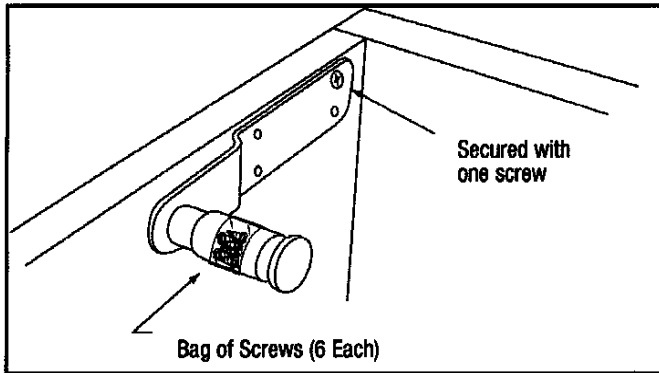
# Installation Instructions

## Cat. No. TD1724TW Thru-Wall Transaction Drawer

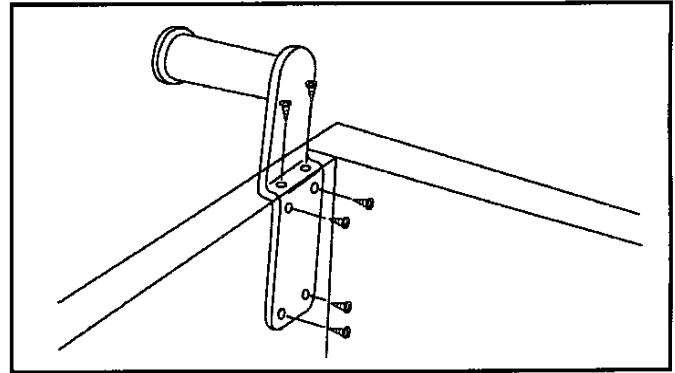
### ATTACHING SLIDE HANDLE TO DRAWER

Proper installation requires this procedure to be done at a specific time during the installation. Read instructions prior to attaching handle.

#### SLIDE HANDLE IN SHIPPING POSITION



#### SLIDE HANDLE IN OPERATIONAL POSITION



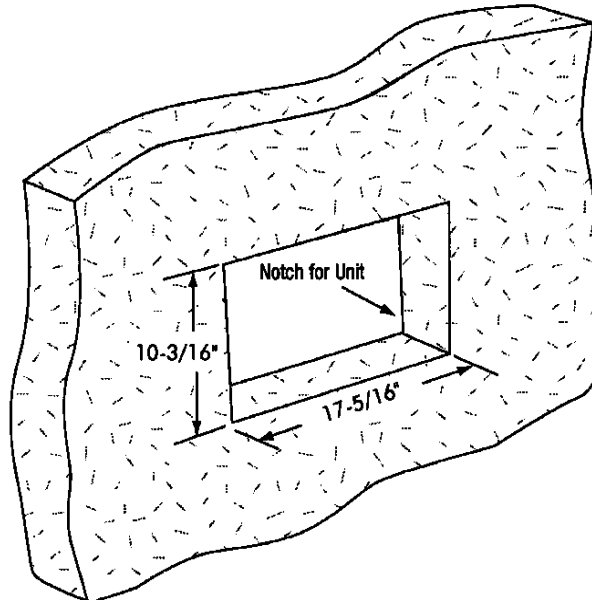
When the unit is shipped the slide handle is secured to the inside of the drawer with one screw. Remove this screw and the polybag of screws from the handle. Position handle vertically with the round grip pointing away from the drawer and secure with screws in the pre-drilled holes. Check installation instructions for the correct time to install the handle.

### CHOOSE EITHER INSTALLATION INSTRUCTION OPTION 1 OR OPTION 2

#### THRU WALL (OPTION 1)

1. Notch the wall using the measurements shown.
2. Place the unit on a table. Remove the inner trim ring and place it to the side. Turn the Latch Knob to lift up the Lexan Lid. Remove the locking pin with ring attached from the bottom of the drawer. Remove the 4 screws from each side of the lower slide rails that attach to the side of the box. Pull the drawer out of the box and set to the side.
3. Place the box portion of the unit in the opening and shim for proper fit. Lift the front Stainless Steel Door, and using an angle drill, drill through the sides (minimum 4" up from the bottom to clear drawer slides) and the bottom (on either side of the bottom center drawer slide), then secure with fasteners.
4. Lift the front Stainless Steel Door and insert the drawer with the drawer slides extended. Then screw the drawer slides to the side of the box (4 screws each side) and push the drawer back into the box.
5. From the inside, reinstall the inner trim ring by sliding the trim ring flush

#### NOTCH REQUIRED



to the inner wall surface. Screw through the inner trim ring into the body of the drawer to secure.

6. Lift the Lexan Lid and attach the Stainless Steel Slide Handle (illustrated instructions above). Insert locking pin in the hole to secure the drawer.
7. Caulk any gaps between the wall and the unit to complete the installation.

#### THRU WALL (OPTION 2)

1. Notch the wall using the measurements shown.
2. Remove the inner trim ring and place it to the side.
3. Slide entire drawer assembly, from the outside, into the opening and shim for proper fit.
4. From the inside, reinstall the inner trim ring by sliding the trim ring flush to the inner wall surface. Screw through the inner trim ring into the body of the drawer to secure.
5. Lift the Lexan Lid and attach the Stainless Steel Slide Handle (illustrated instructions above). Insert locking pin in the hole to secure the drawer.
6. Caulk any gaps between the wall and the unit to complete the installation.