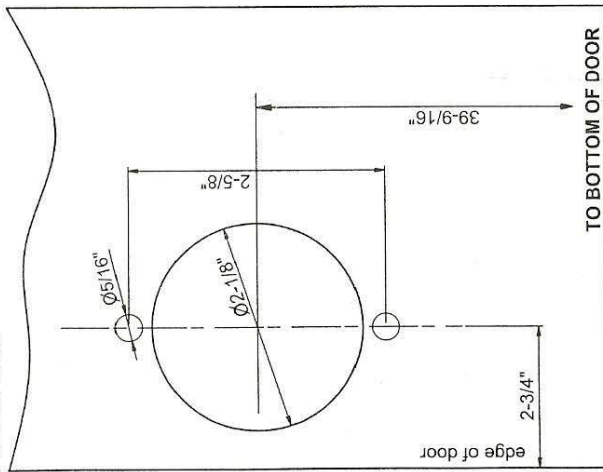


CRL DL51L KEYED LEVER TRIM

OUTSIDE KNOB (LEVER) INSTALLATION INSTRUCTIONS

9612 INS-R061



CUT OFF LENGTH OF CYL. CONNECTING BAR SO THAT 3/16" PROJECTS BEYOND INSIDE FACE OF DOOR.

1. Follow the drilling instructions on template. Drill 2-1/8" holes on inside and outside door faces.
2. Follow the drilling instructions on template. Drill (2) 5/16" holes on outside door face for lever only.
3. Insert knob (or lever) tail piece through 2-1/8" hole on outside door face.
4. Cut off tail piece, if necessary, to have 3/16" projection beyond inside door face.
5. Place inside mounting plate on inside door face and tighten 2 installation screws securely.
6. Install push bar.

Notice : Do not remove the stud of the lever when connected with Exit Panic Device.

