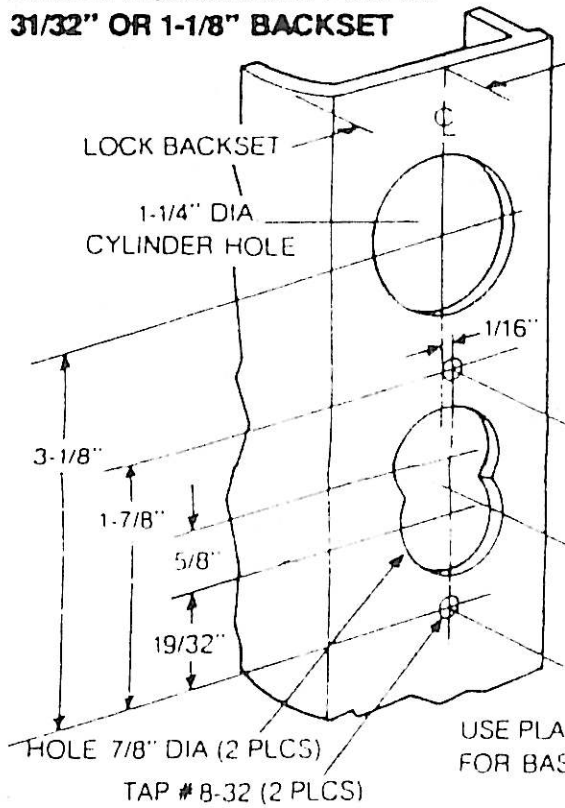


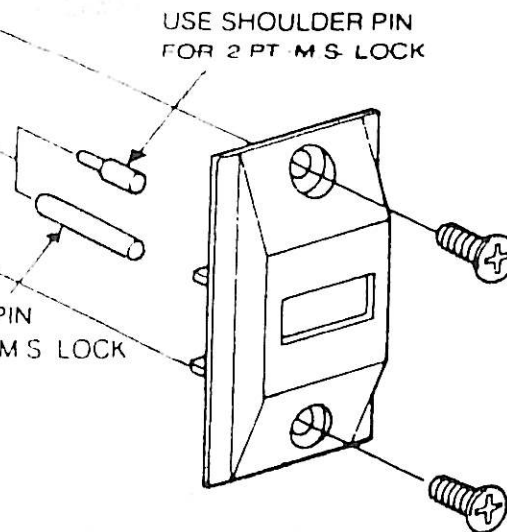
Lock Indicator

INSTALLATION INSTRUCTIONS

STILE PREPARATION FOR 7/8" 31/32" OR 1-1/8" BACKSET



1. Drill or drill and tap holes on inside face of Stile as shown
2. Select proper pin and insert into lock (plain pin for basic lock and shoulder pin for basic lock)
3. Install Lock Indicator with (2) #8-32 x 5/16" Flat Head Machine Screw



STILE PREPARATION FOR 1-1/2" BACKSET

