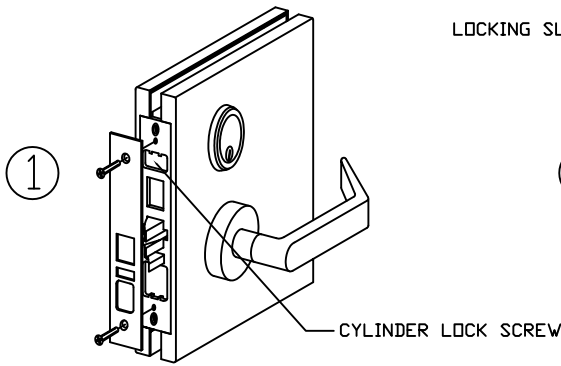
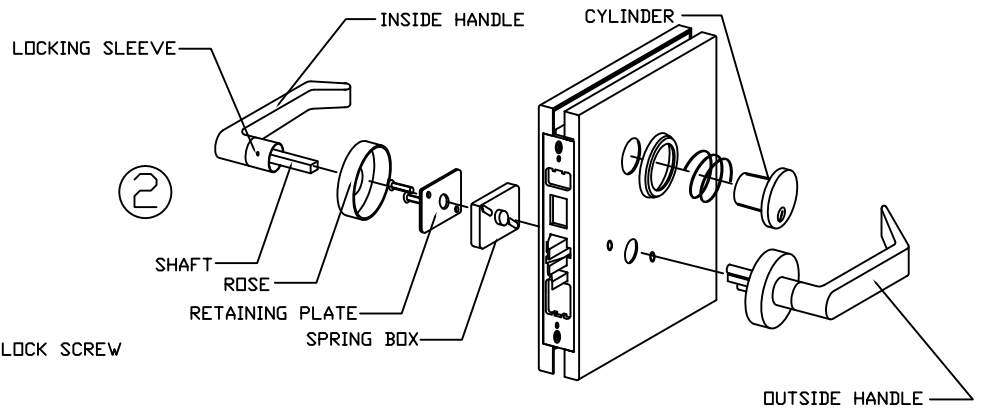


# INSTALLATION INSTRUCTIONS

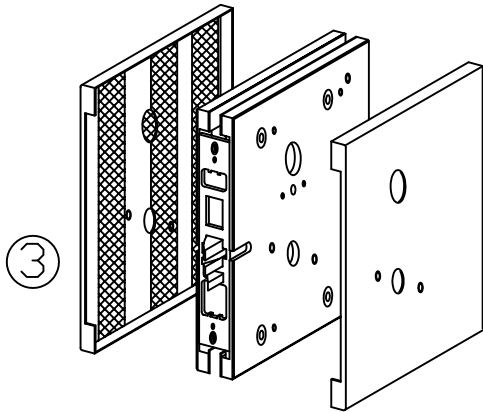
## 6 X 10 CENTER LOCK



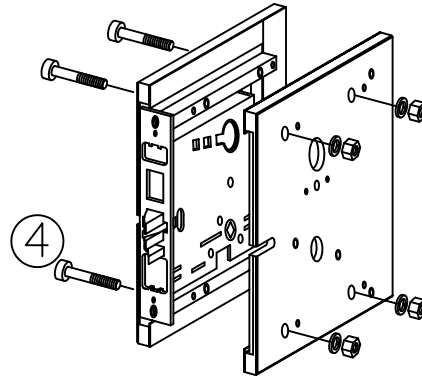
1 REMOVE FACE PLATE  
LOOSEN CYLINDER LOCK SCREW



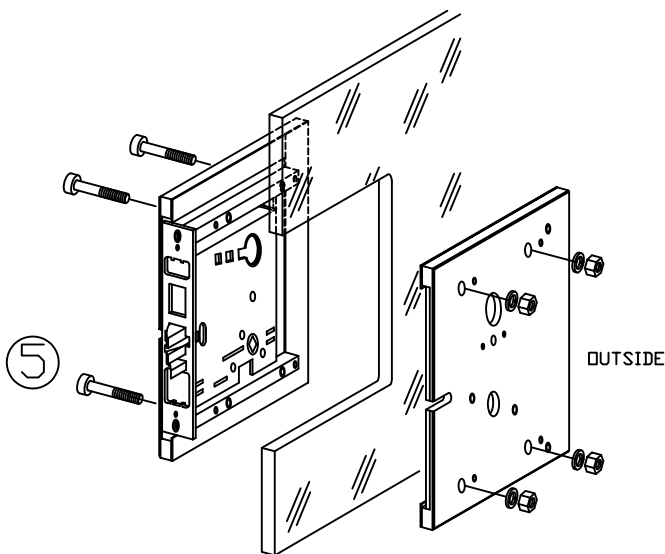
2 UNDO LOCKING SLEEVE WITH TOOL PROVIDED  
REMOVE INSIDE HANDLE, SHAFT AND ROSE  
UNSCREW 2 SCREWS IN RETAINING PLATE  
REMOVE RETAINING PLATE AND SPRING BOX  
REMOVE OUTSIDE HANDLE ASSEMBLY  
UNSCREW AND REMOVE CYLINDER



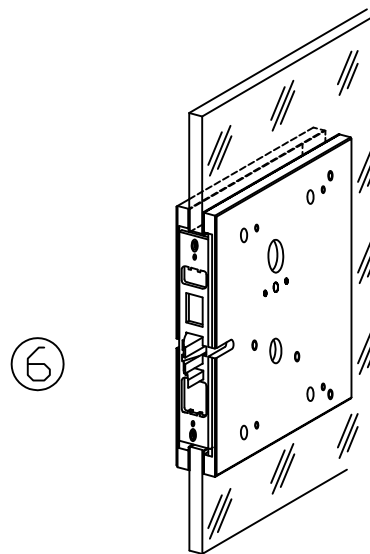
3 REMOVE COVER PLATES



4 SPLIT CLAMP PLATES BY REMOVING SCREWS



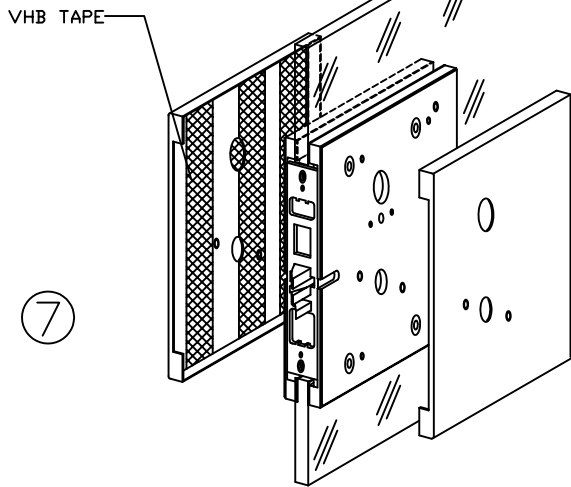
5 ASSEMBLE CLAMP PLATES ONTO GLASS.  
BE SURE TO HAVE NUTS AND WASHERS ON THE OUTSIDE



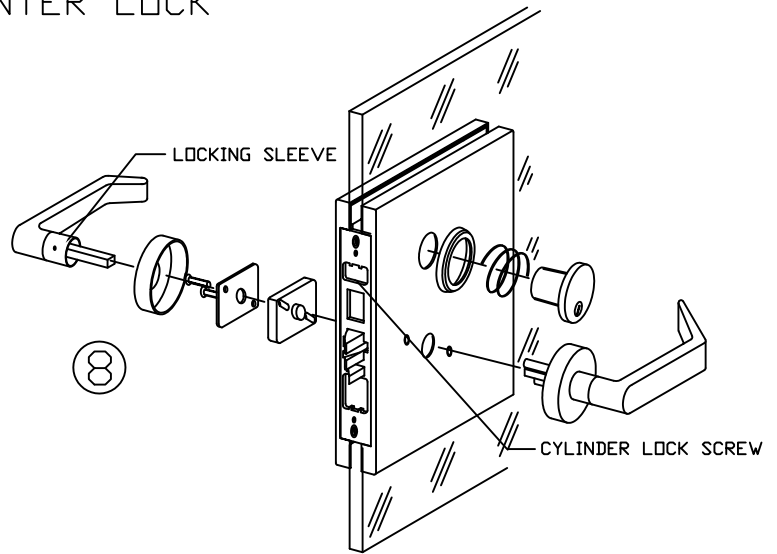
6 NOTE: BEFORE FINALLY TIGHTENING, TEST INSTALL THE  
FACE PLATE AND THE COVER PLATES TO ENSURE ALIGNMENT  
WITH GLASS AND EACH OTHER.

# INSTALLATION INSTRUCTIONS

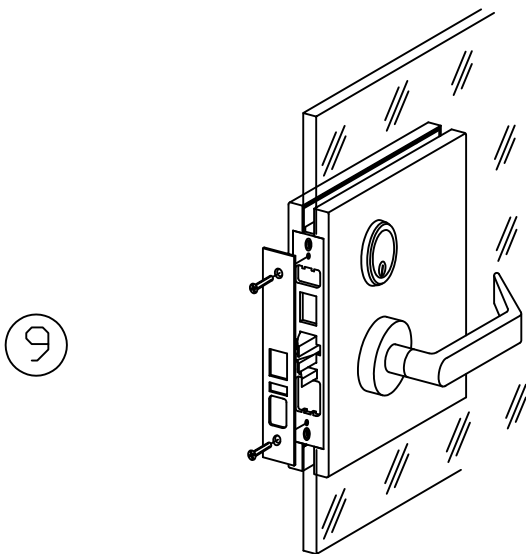
## 6 X 10 CENTER LOCK



REMOVE VHB COVER PAPER FROM ADHESIVE  
CAREFULLY APPLY COVER PLATES ENSURING HOLES  
AND LOCK FACE PLATE LINE UP. PRESS ON FIRMLY.



RE-ASSEMBLE ALL HARDWARE  
TIGHTEN CYLINDER LOCK SCREW  
TIGHTEN HANDLE LOCKING SLEEVE ON INSIDE HANDLE



RE-ATTACH FACE PLATE  
CHECK ALL LOCK OPERATIONS

- OFFICE LOCK — Operates by lever either side except when outside lever is locked by Rocker in faceplate, then Key operation from outside.  
Auxiliary Latchbolt locks Main Latchbolt
- PASSAGE LOCK — Operates by lever either side.
- ENTRANCE LOCK — Operates by lever either side except when outside lever is locked by Rocker in faceplate  
Deadbolt operated by Lock on outside and Thumbturn on inside  
Thumbturn operates Deadlatch and Deadbolt simultaneously
- STOREROOM LOCK — Operates by lever inside and key outside.  
Outside Lever is non-operable  
Auxiliary Latchbolt locks Main Latchbolt
- CLASSROOM LOCK — Operates by lever either side except when outside lever is locked by Key outside.  
Key operates latch or unlocks outside lever.  
Inside lever is always operable.