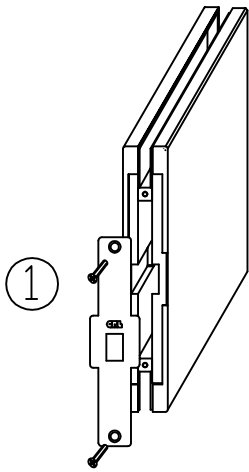


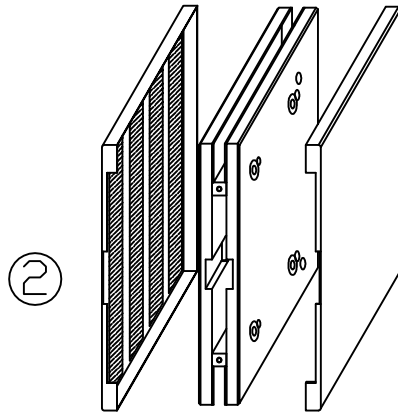
INSTALLATION INSTRUCTIONS

6 X 10 CENTER LOCK KEEPER

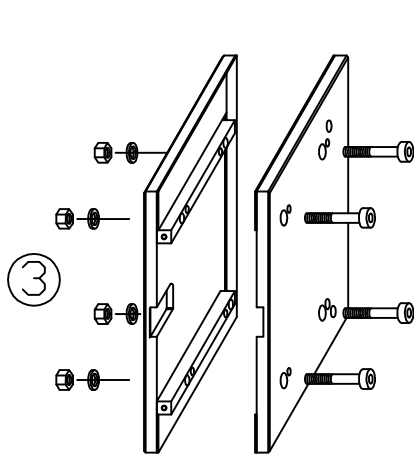
DLK610BS, DLK610PB, DLK610PS, DLK610SC



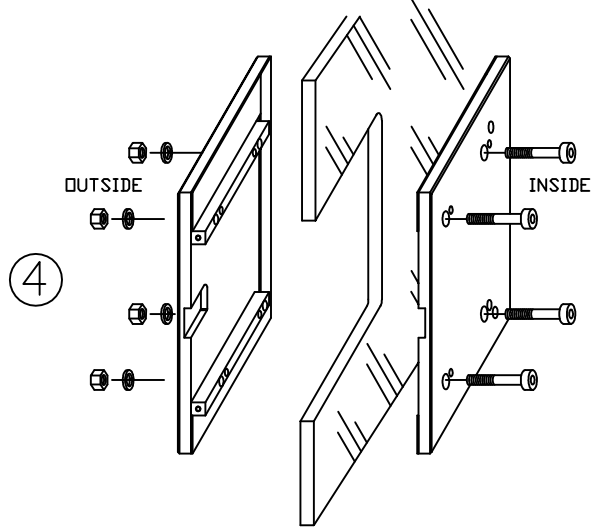
① REMOVE STRIKE PLATE



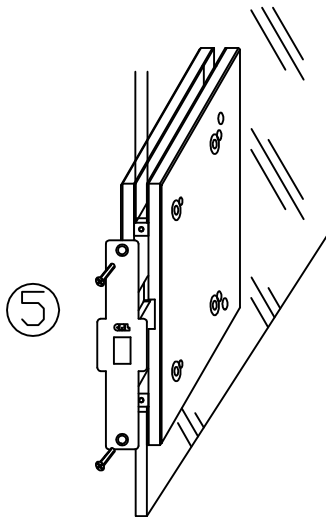
② REMOVE COVER PLATES



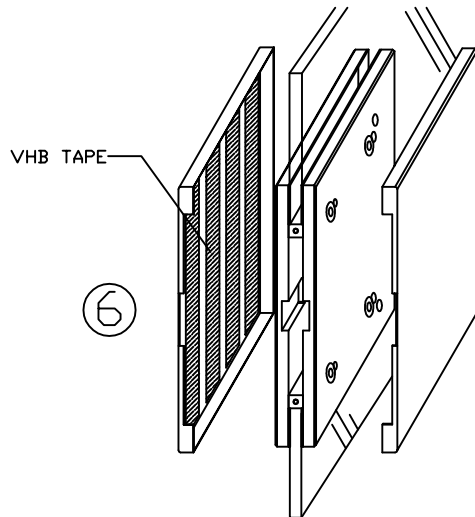
③ SPLIT CLAMP PLATES BY REMOVING SCREWS



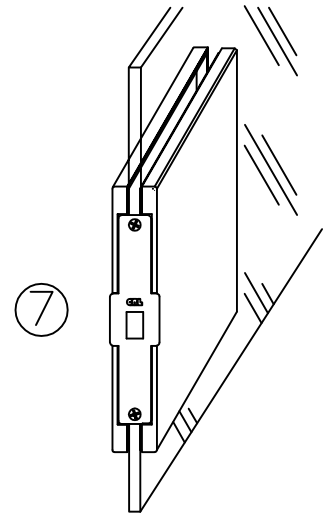
④ ASSEMBLE CLAMP PLATES ONTO GLASS.
BE SURE TO HAVE NUTS AND WASHERS ON THE OUTSIDE



⑤ TEMPORARILY APPLY STRIKE PLATE
AND TEST FOR ALIGNMENT WITH LOCK.
REMOVE STRIKE PLATE



⑥ REMOVE VHB TAPE COVER PAPER
APPLY COVER PLATES
PRESS FIRMLY TO ENSURE ADHESION



⑦ RE-ATTACH STRIKE PLATE

C.R. LAURENCE CENTER LOCK SYSTEM

C.R. Laurence Architectural Products
Phone Orders (800) 421-6144
Fax Orders (800) 262-3299
www.crlaurence.com

CRL-0048 Rev 0