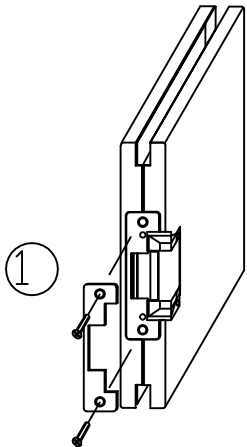


# INSTALLATION INSTRUCTIONS

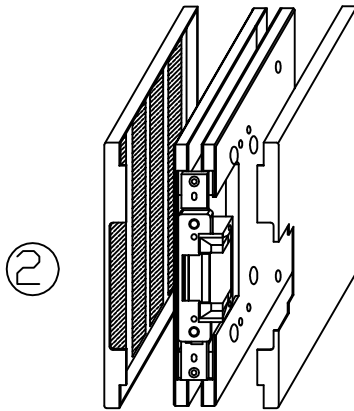
## 6 X 10 CENTER LOCK ELECTRIC STRIKE

DLEL610BS, DLEL610PB, DLEL610PS, DLEL610SC  
DLER610BS, DLER610PB, DLER610PS, DLER610SC



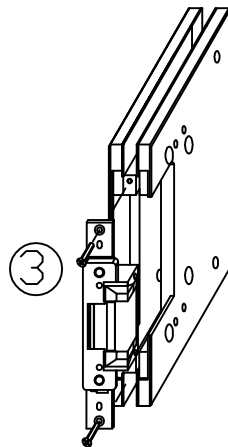
①

REMOVE STRIKE PLATE



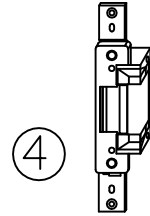
②

REMOVE COVER PLATES



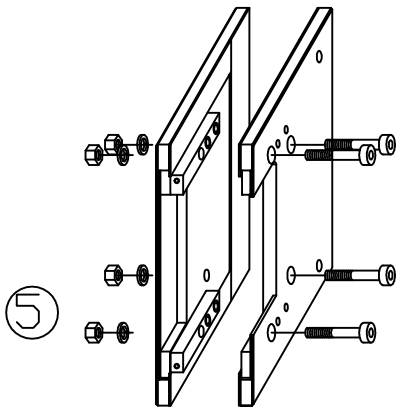
③

REMOVE ELECTRIC STRIKE



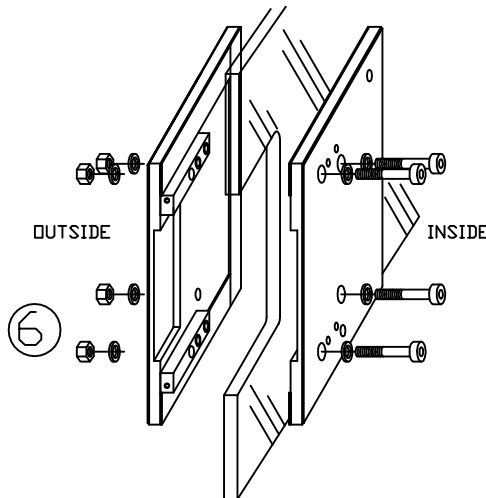
④

PRE-WIRE ELECTRIC STRIKE  
PER ENCLOSED INSTRUCTIONS



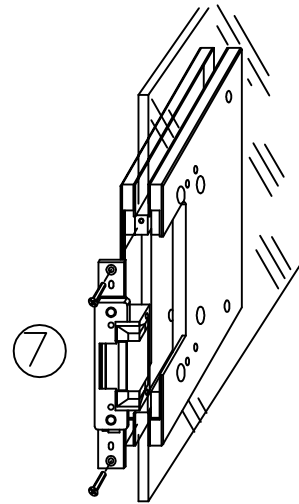
⑤

SPLIT CLAMP PLATES BY  
REMOVING SCREWS



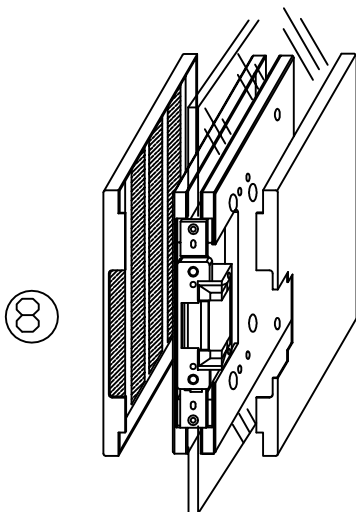
⑥

ASSEMBLE CLAMP PLATES ONTO GLASS.  
BE SURE TO HAVE NUTS AND WASHERS  
ON THE OUTSIDE



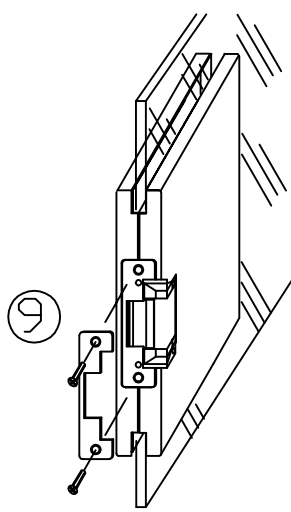
⑦

RE-INSTALL ELECTRIC STRIKE  
TEST FOR ALIGNMENT WITH LOCK  
COMPLETE WIRING  
CHECK STRIKE OPERATION



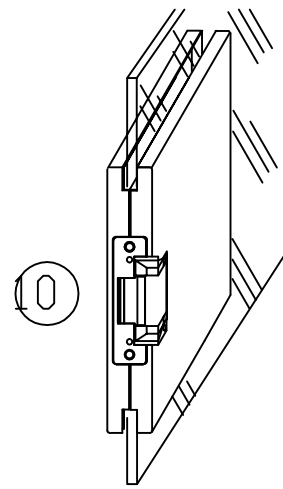
⑧

REMOVE VHB TAPE COVER PAPER  
APPLY COVER PLATES  
PRESS FIRMLY TO ENSURE ADHESION



⑨

RE-ATTACH STRIKE PLATE



⑩

CHECK STRIKE OPERATION

**C.R. LAURENCE** CENTER LOCK SYSTEM

C.R. Laurence Architectural Products  
Phone Orders (800) 421-6144  
Fax Orders (800) 262-3299  
www.crlaurence.com

CRL-0049Rev 0