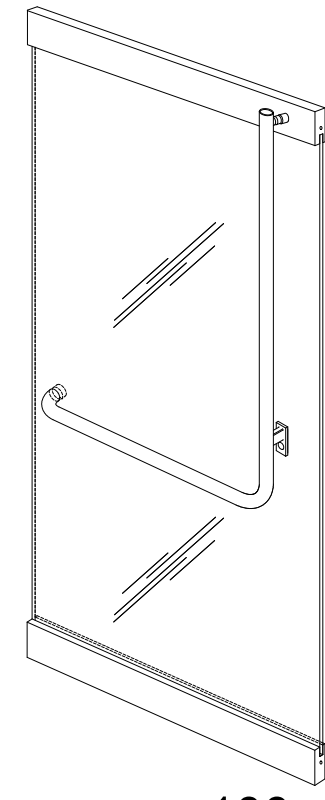
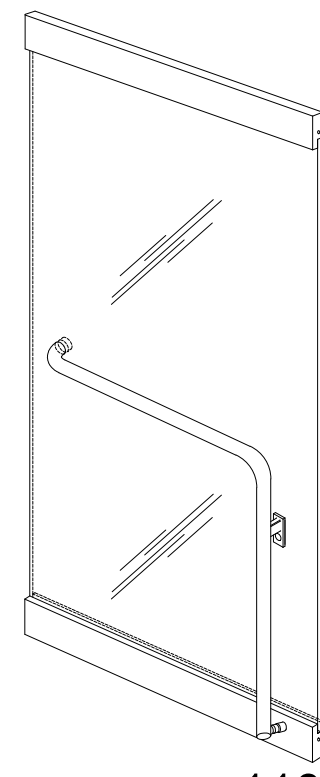


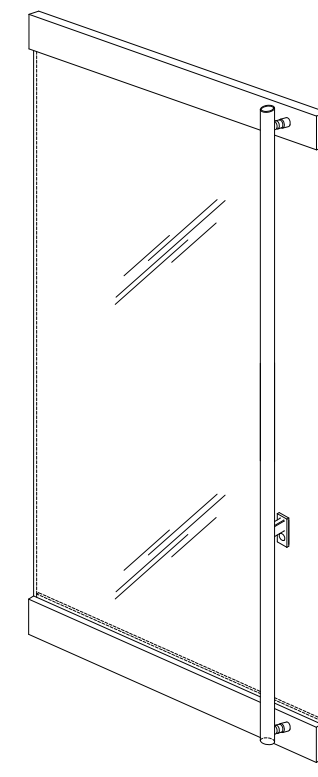
**INTERIOR  
OPERATING  
HANDLE**



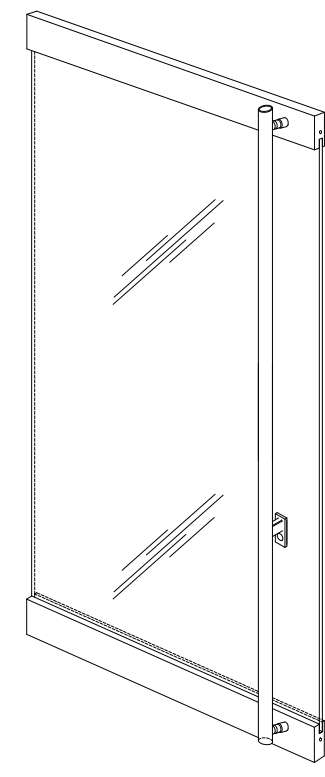
PANIC PA100  
ELECTRIC EG100  
DEAD BOLT DB100  
DUMMY DH100



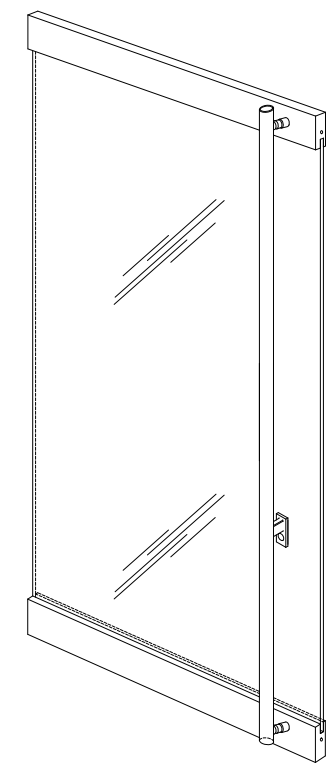
PANIC PA110  
ELECTRIC RG110  
DEAD BOLT DB110  
DUMMY DH110



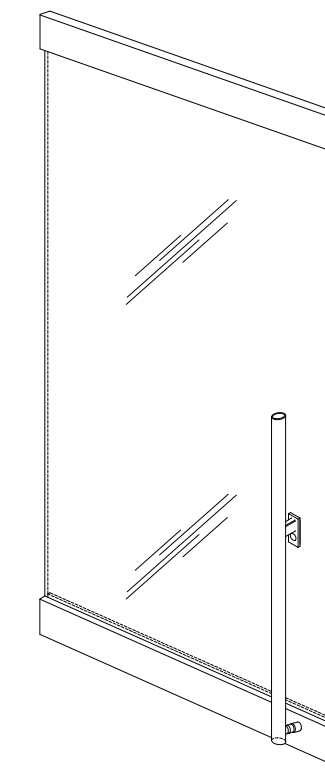
DUMMY DH130



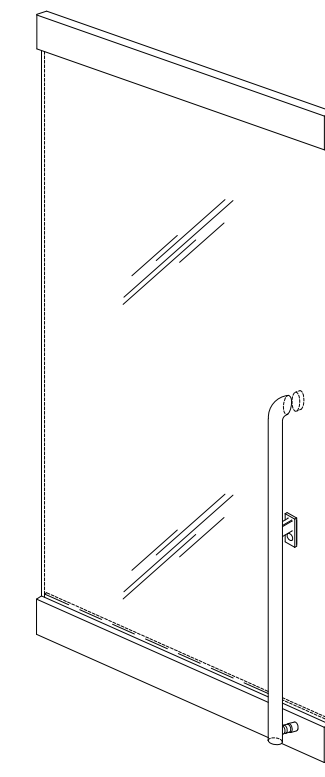
DEAD BOLT DB131  
LOCKS AT BOTTOM ONLY



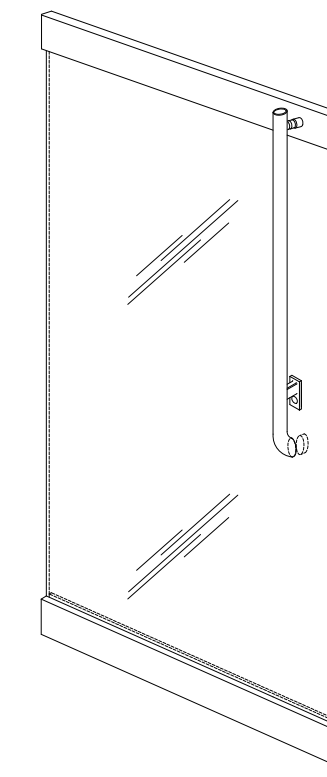
DEAD BOLT DB132  
LOCKS AT TOP AND BOTTOM



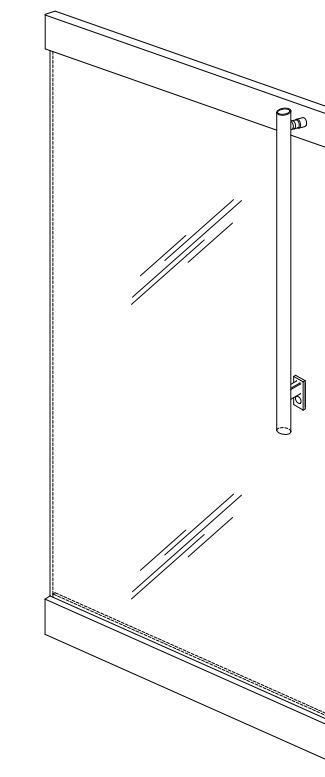
DEAD BOLT DB140  
DUMMY DH140



DEAD BOLT DB150  
DUMMY DH150

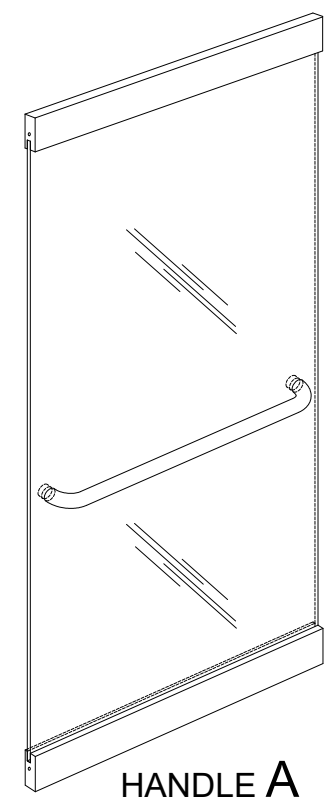


DEAD BOLT DB160  
DUMMY DH160

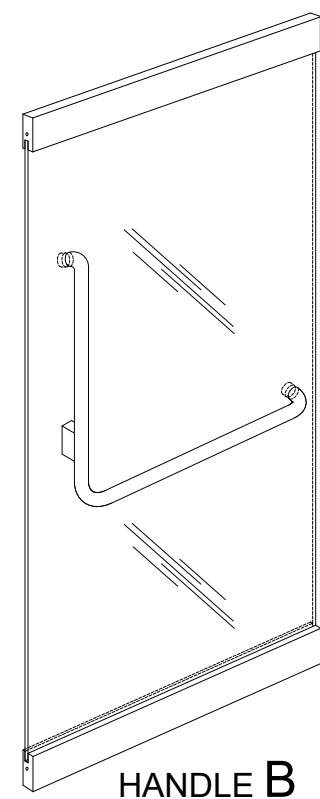


DEAD BOLT DB170  
DUMMY DH170

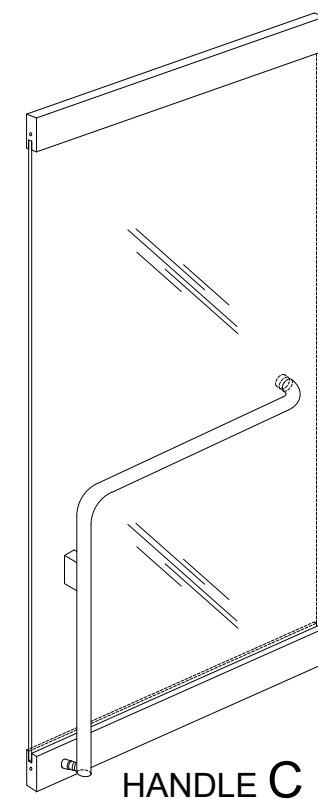
**EXTERIOR  
FIXED  
PULL  
HANDLES**



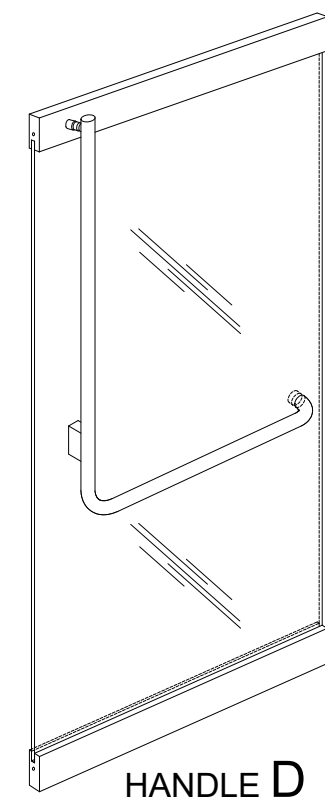
HANDLE A



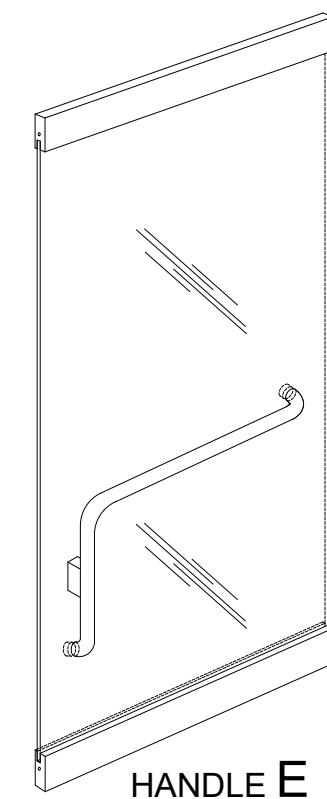
HANDLE B



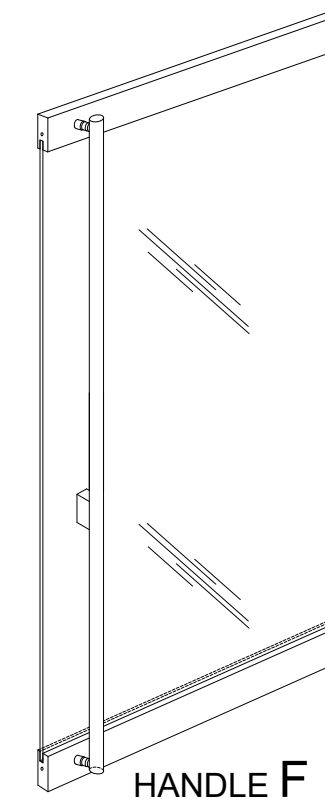
HANDLE C



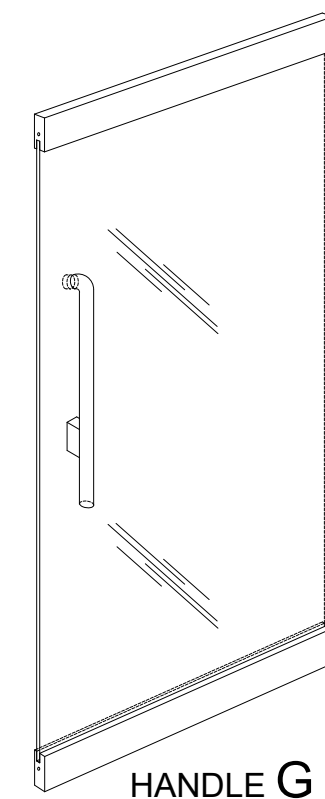
HANDLE D



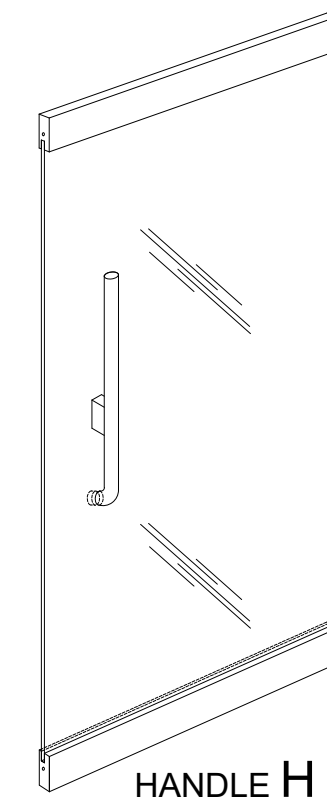
HANDLE E



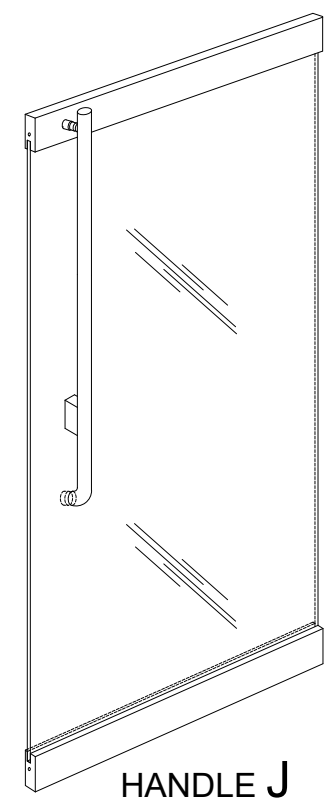
HANDLE F



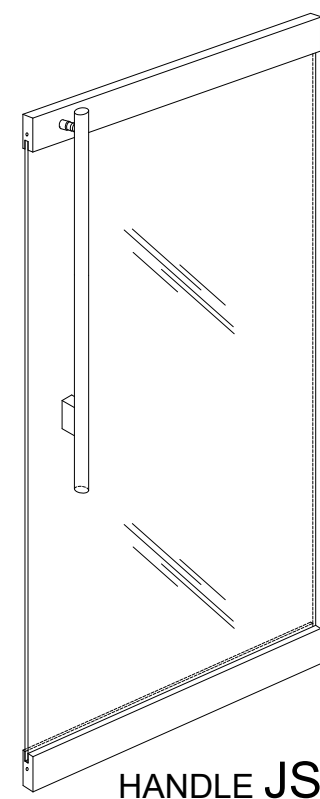
HANDLE G



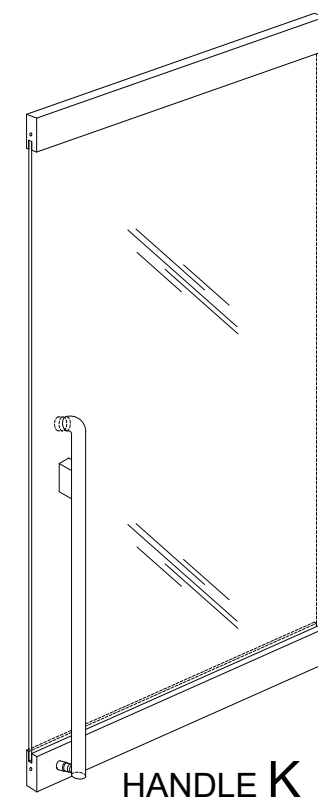
HANDLE H



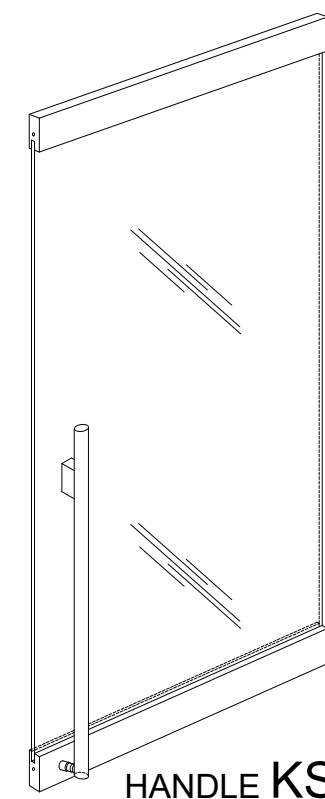
HANDLE J



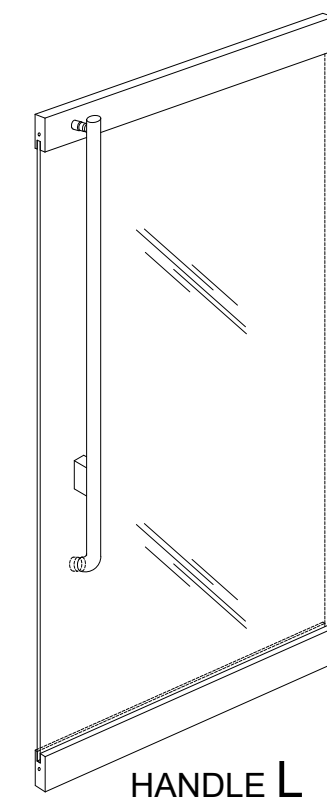
HANDLE JS



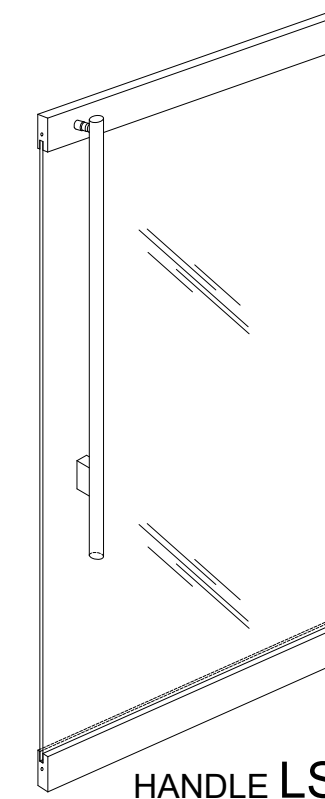
HANDLE K



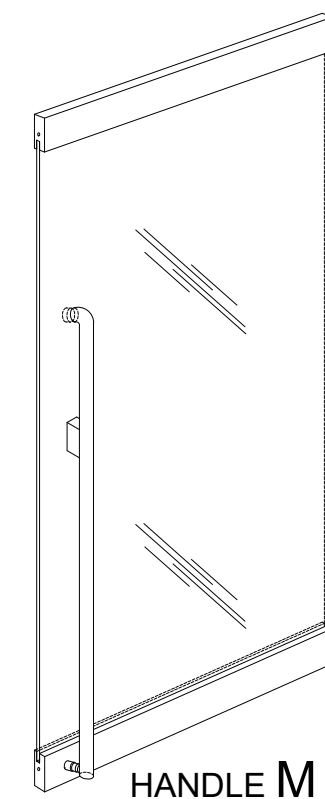
HANDLE KS



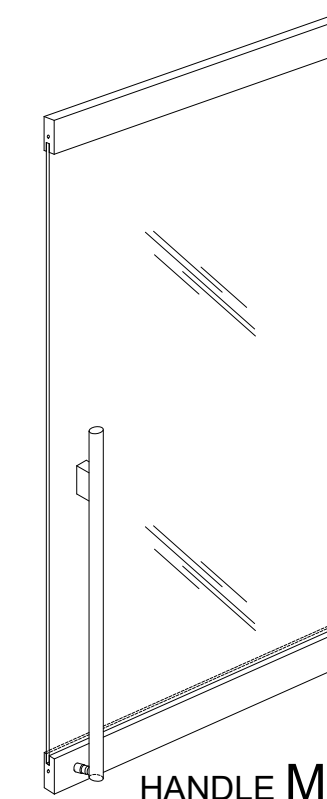
HANDLE L



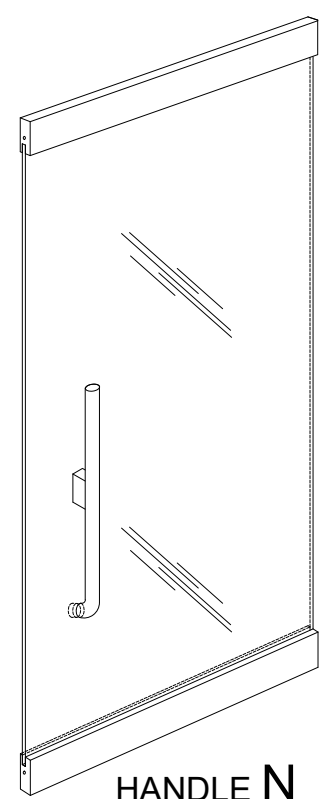
HANDLE LS



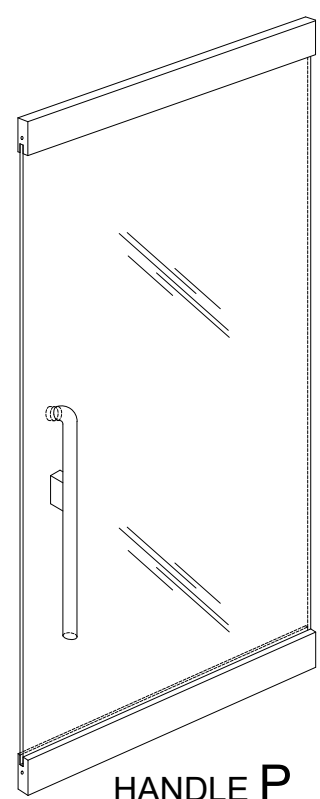
HANDLE M



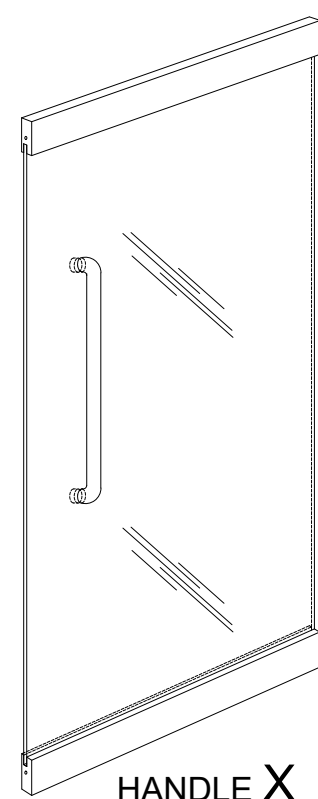
HANDLE MS



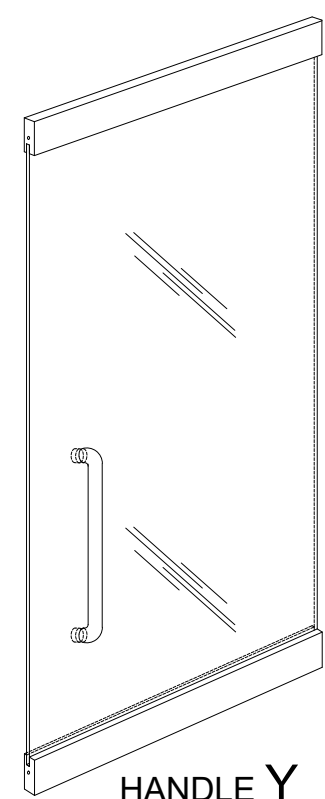
HANDLE N



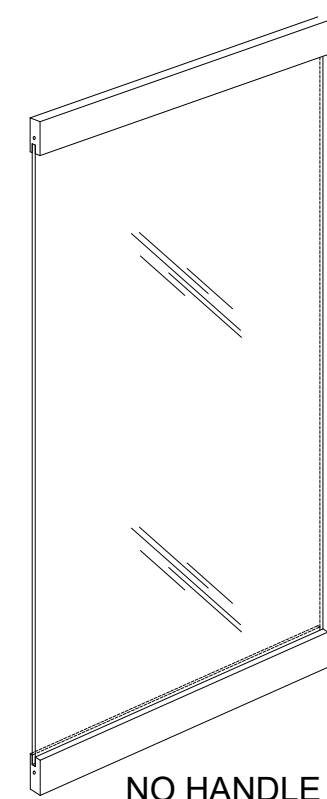
HANDLE P



HANDLE X



HANDLE Y



NO HANDLE Z

**CRL-BLUMCRAFT**

THE EXTERIOR PUSH/ PULL HANDLE,CAN BE USED WITH ANY INTERIOR PANIC HANDLE, DEADBOLT HANDLE, ELECTRONIC EGRESS OR DUMMY HANDLE.

PUSH /PULL HANDLES CAN BE MOUNTED ON TO GLASS , ALUMINUM, WOOD OR HOLLOW METAL DOORS.

WITH 140 COMBINATIONS OF STYLES AND CONFIGURATIONS AVAILABLE.

CRL - BLUMCRAFT PANIC HANDLE HAVE 12'-0" (144") SIZE LIMITATION FOR DOOR HEIGHTS



Revisions By:



2503 E. Vermont Avenue, Los Angeles, C.A. 90058-1897  
PH: (800)-421-6144 FX: 800-387-7501 www.crlaurence.com

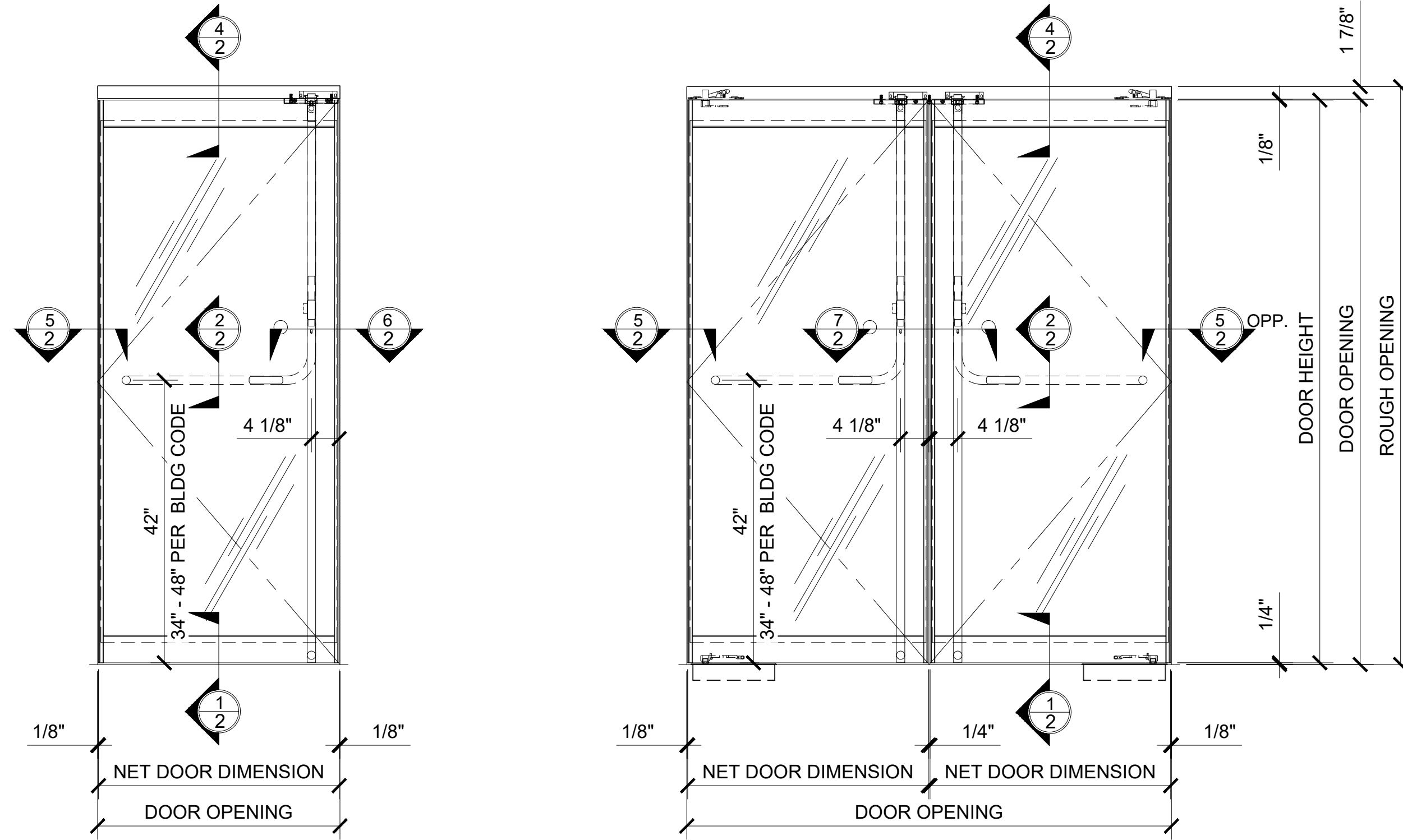
Description:

CRL / BLUMCRAFT  
PANIC HANDLES  
FOR ALL DOOR SYSTEMS

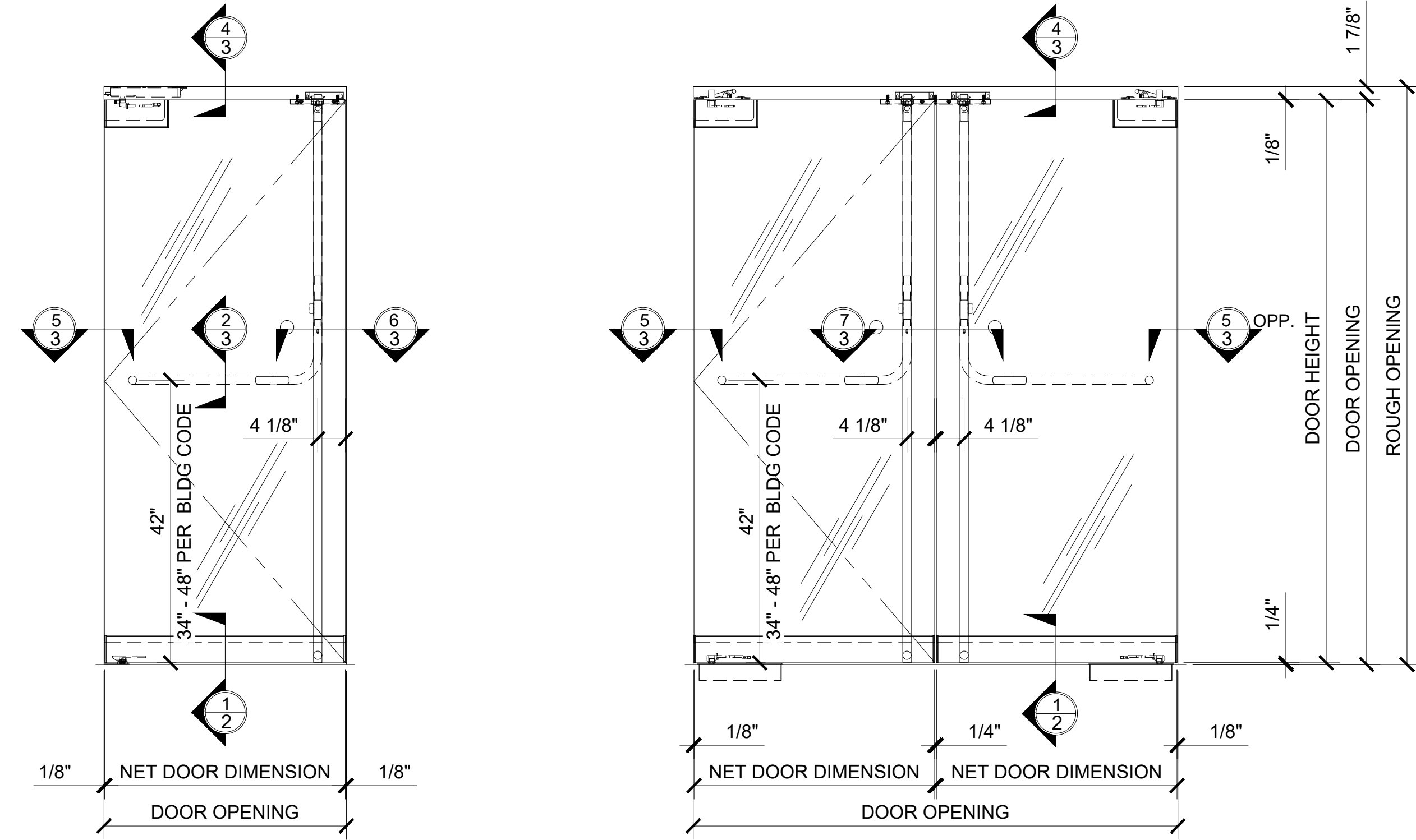
Drawn By: VM  
Date: 10/24/2013  
Scale: 3/4" = 1'-0"  
File Name: CRL\_BCRFT PHS.dwg  
Sheet

# CRL PA100F PANIC HANDLES MOUNTED ON VARIOUS CRL DOOR SYSTEMS

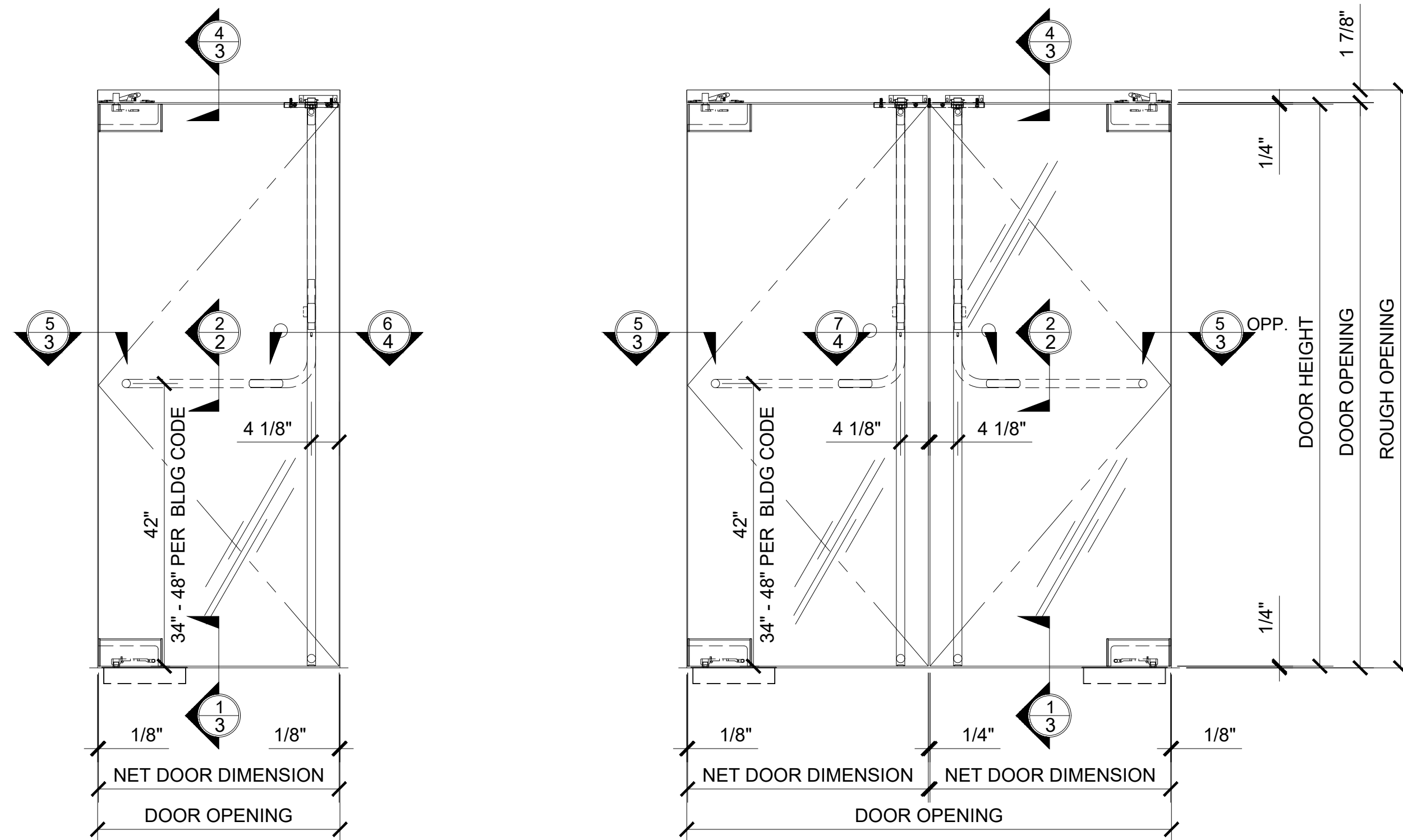
Revisions By:



HERCULITE "P-STYLE" WEDGE-LOCK RAIL GLASS DOORS WITH MINI STILES



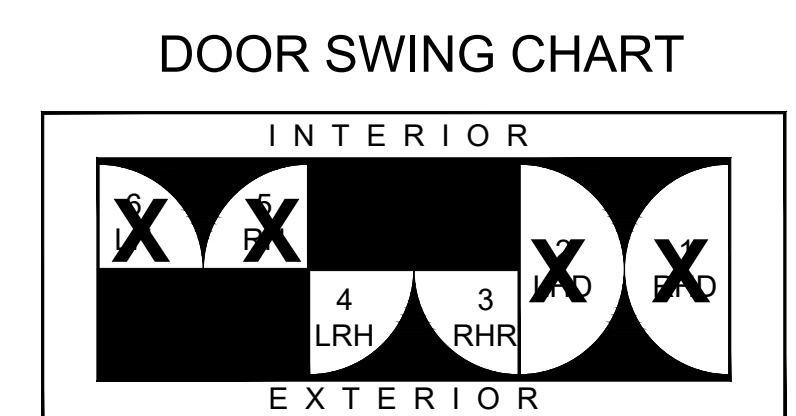
HERCULITE "BP-STYLE" WEDGE-LOCK RAIL GLASS DOORS



HERCULITE "A-STYLE" WEDGE-LOCK PATCH RAIL GLASS DOORS

CRL - BLUMCRAFT PANIC HANDLE HAVE 12'-0" (144") SIZE LIMITATION FOR DOOR HEIGHTS

- \* WIDE SELECTION OF EXTERIOR PULL HANDLES ARE AVAILABLE
- \* STANDARD CONFIGURATIONS AVAILABLE FOR PA100, DB100 AND EG100
- \* PA100 PANICS ARE COMPATIBLE WITH ELECTRIC STRIKES
- \* STANDARD CONFIGURATIONS AVAILABLE FOR PA110, DB110 AND EG110
- \* ALL PANICS COME WITH A DOGGING FEATURE
- \* ALL CONFIGURATIONS AVAILABLE WITH OR WITHOUT KEYED ACCESS DEVICES
- \* AVAILABLE IN POLISHED AND BRUSHED STAINLESS STEEL, SATIN AND POLISHED BRASS, AND OIL RUBBED BRONZE
- \* CRL WEDGE-LOCK RAIL SYSTEM "ALL GLASS" DOORS
- \* CRL WEDGE-LOCK PATCH "ALL GLASS" DOORS
- \* CRL / US ALUM FULL FRAME SERIES 400 MEDIUM STILE DOOR SYSTEM
- \* CRL PATCH COMERCIAL SYSTEM "ALL GLASS" DOORS
- \* CRL PANIC HANDLES CAN ALSO BE MOUNTED ON WOOD AND HOLLOW METAL DOORS - AVAILABLE FOR ANY DOOR THICKNESS



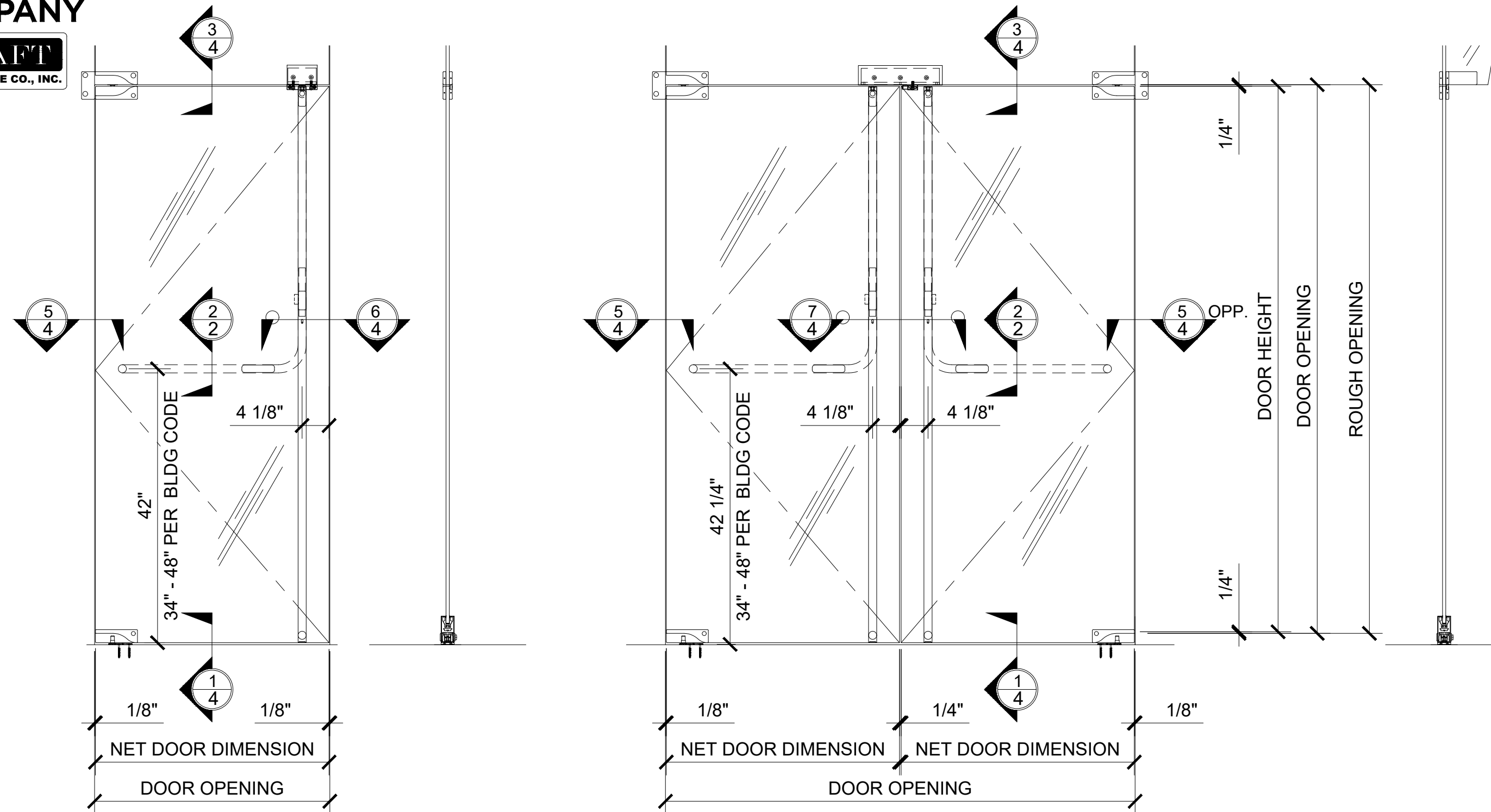
### "INDUSTRY STANDARD" DOOR STYLES AND SWINGING DOOR PATTERNS

THERE ARE THREE BASIC "ALL-GLASS" DOOR STYLES TYPICALLY REFERRED TO THROUGHOUT THE INDUSTRY APPLICABLE TO THE CRL SLENDER PROFILE DOOR RAIL SYSTEMS. BY IDENTIFYING YOUR BASIC DOOR STYLE AND SWING, IT WILL HELP MAKE CLEAR WHAT YOUR INTENTIONS ARE FOR THE PARTICULAR PROJECT. FOR MORE INFORMATION, PLEASE CONTACT OUR TECHNICAL SALES DEPARTMENT AT (800) 421-6144 IN THE U.S., (877) 421-6144 IN CANADA, OR (323) 588-1281 INTERNATIONAL. ASK FOR EXT. 7700. YOU CAN SEND E-MAIL THROUGH THE [crlaurence.com](http://crlaurence.com) HOME PAGE. CLICK ON CONTACT US, AND THEN CLICK ON TECHNICAL SALES FOR COMMERCIAL PRODUCTS.

Description:  
CRL / BLUMCRAFT  
PANIC HANDLES  
FOR ALL DOOR SYSTEMS

Drawn By: VM  
Date: 10/24/2013  
Scale: 3/4" = 1'-0"  
File Name: CRL\_BCRFT PHS.dwg

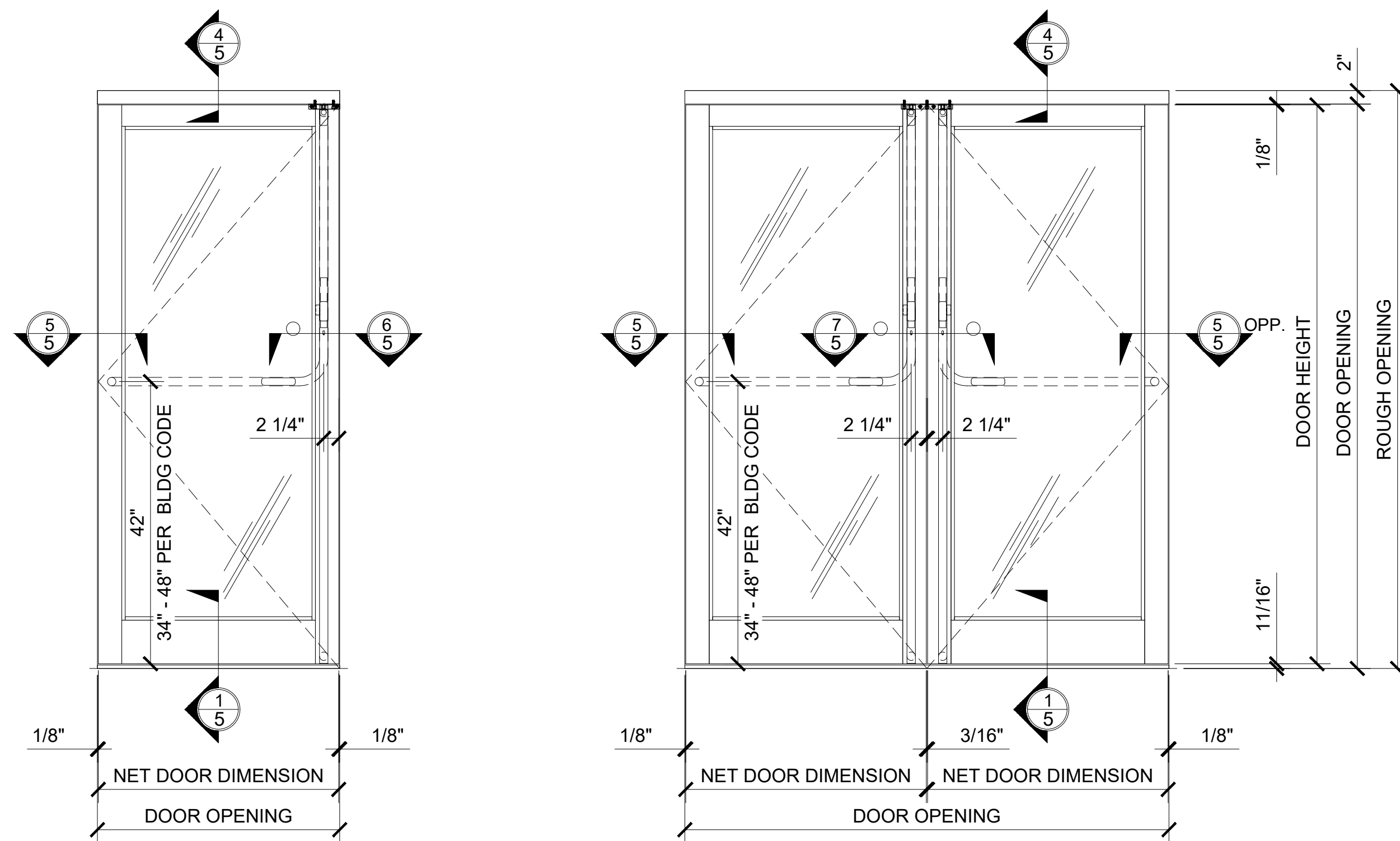
# CRL PA100F PANIC HANDLES MOUNTED ON VARIOUS CRL DOOR SYSTEMS



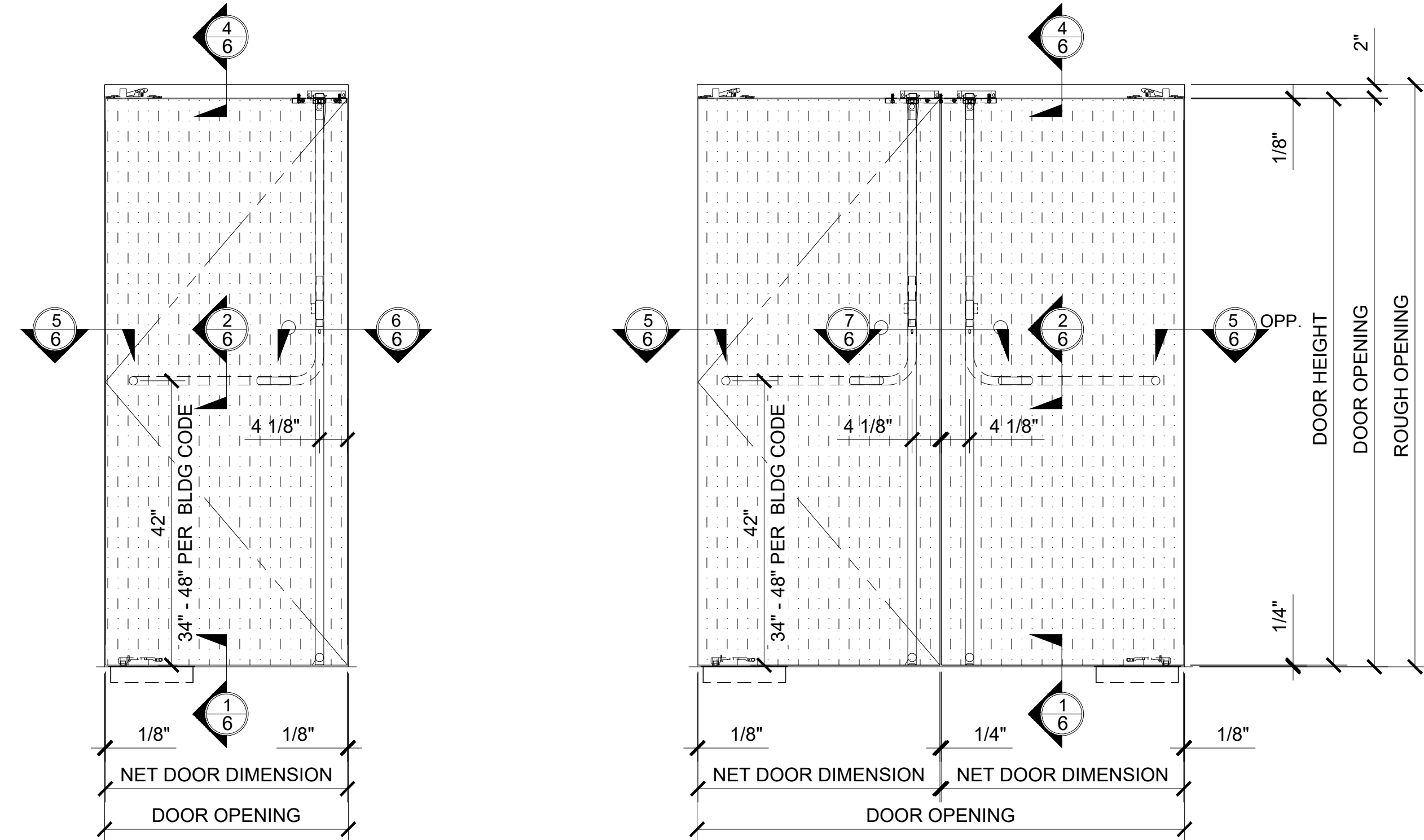
CRL - BLUMCRAFT PANIC HANDLE HAVE 12'-0" (144") SIZE LIMITATION FOR DOOR HEIGHTS

- \* HARDWARE FABRICATED FROM 1 1/4" DIAMETER STAINLESS STEEL OR ARCHITECTURAL BRONZE TUBING
- \* WIDE SELECTION OF EXTERIOR PULL HANDLES ARE AVAILABLE
- \* STANDARD CONFIGURATIONS AVAILABLE FOR PANIC HANDLES, DEADBOLT HANDLES, ELECTRONIC EGRESS OR DUMMY HANDLES
- \* PA100 PANICS ARE COMPATIBLE WITH ELECTRIC STRIKES
- \* STANDARD CONFIGURATIONS AVAILABLE FOR PA110, DB110 AND EG110
- \* ALL PANICS COME WITH A DOGGING FEATURE
- \* ALL CONFIGURATIONS AVAILABLE WITH OR WITHOUT KEYED ACCESS DEVICES
- \* AVAILABLE IN POLISHED AND BRUSHED STAINLESS STEEL, SATIN AND POLISHED BRASS, AND OIL RUBBED BRONZE
- \* CRL WEDGE-LOCK RAIL SYSTEM "ALL GLASS" DOORS
- \* CRL WEDGE-LOCK PATCH "ALL GLASS" DOORS
- \* CRL / US ALUM FULL FRAME SERIES 400 MEDIUM STILE DOOR SYSTEM
- \* CRL PATCH COMERCIAL SYSTEM "ALL GLASS" DOORS
- \* CRL PANIC HANDLES CAN ALSO BE MOUNTED ON WOOD AND HOLLOW METAL DOORS - AVAILABLE FOR ANY DOOR THICKNESS

CRL NORTH AMERICAN COMMERCIAL PATCH ALL GLASS DOORS



CRL-US ALUM CENTER-HUNG MEDIUM STILE SERIES 400 DOOR TYPICAL ELEVATION



CRL P100F PANIC HANDLES MOUNTED ON WOOD DOORS ANY THICKNESS

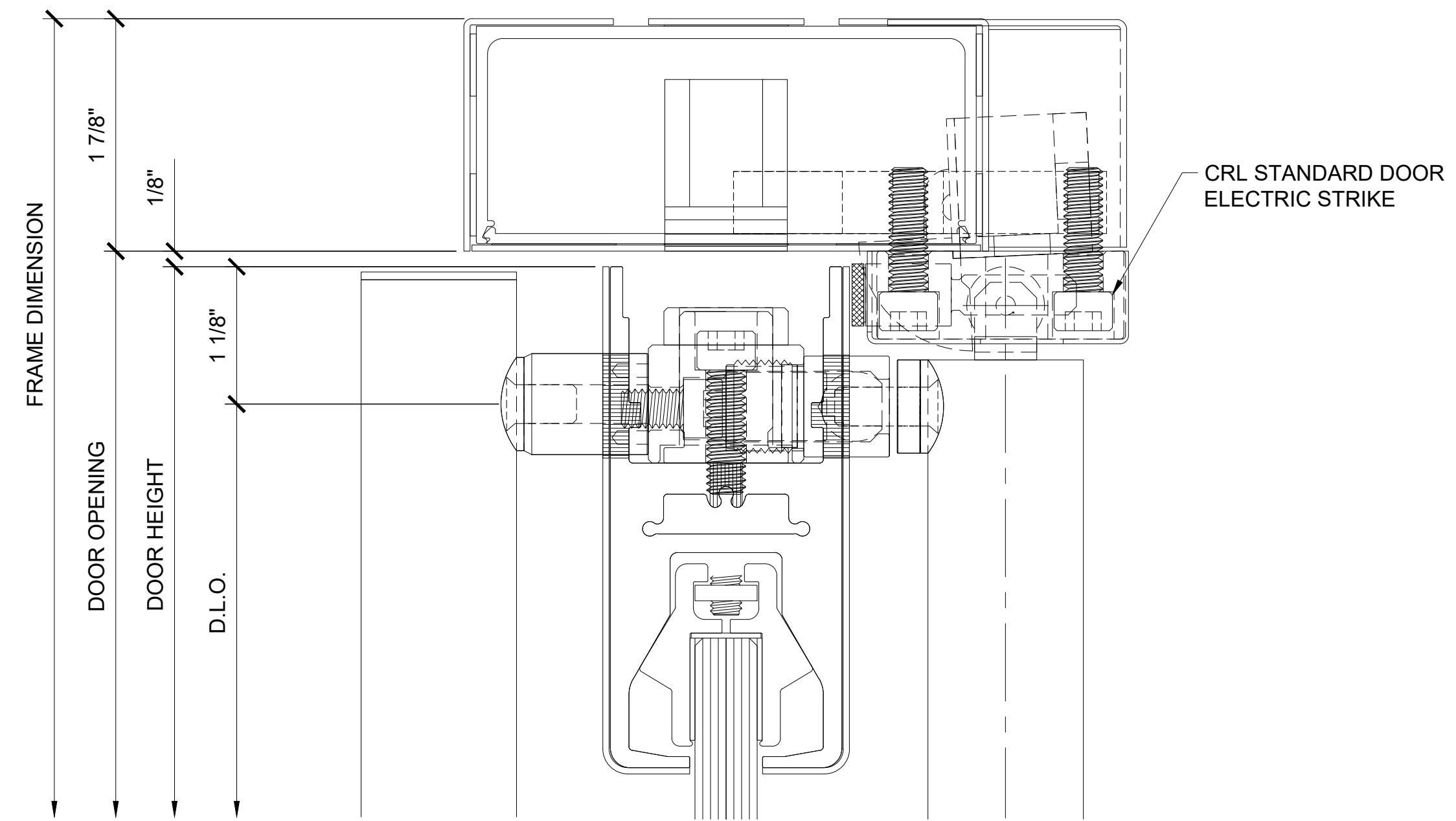
ALL MOUNTING POSITIONS MUST HAVE A SOLID CORE ALSO AVAILABLE FOR HOLLOW METAL DOORS

Revisions By:

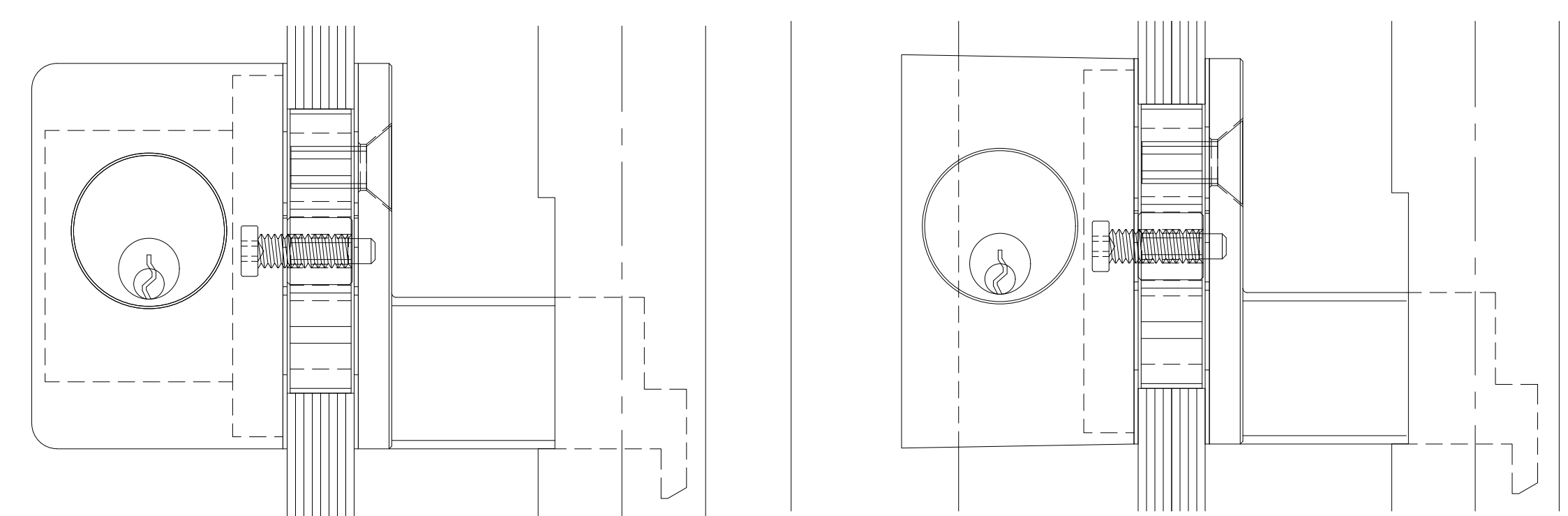
Description:  
CRL / BLUMCRAFT  
PANIC HANDLES  
FOR ALL DOOR SYSTEMS

Drawn By: VM  
Date: 10/24/2013  
Scale: 3/4" = 1'-0"  
File Name: CRL\_BCRFT PHS.dwg

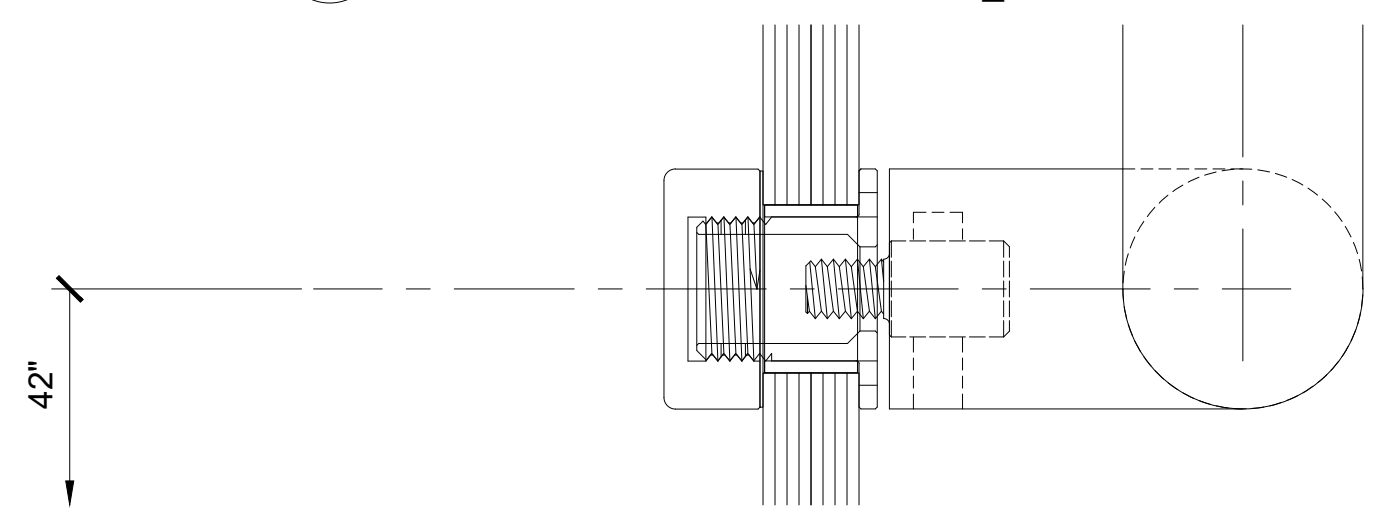
Sheet



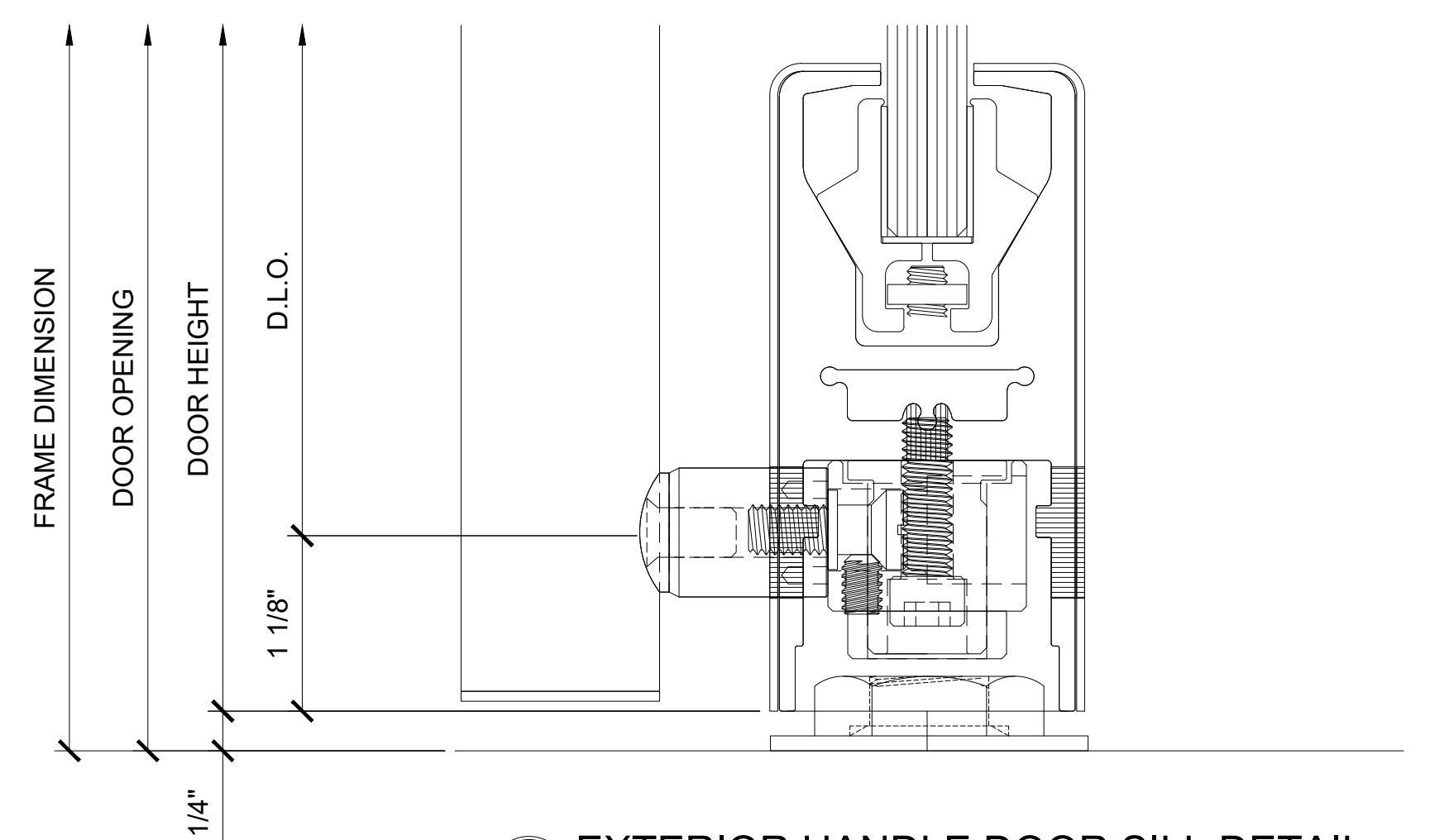
4 PANIC HANDLE DOOR HEAD DETAIL  
WEDGE-LOCK "P" STYLE ALL GLASS DOOR W/PA100F



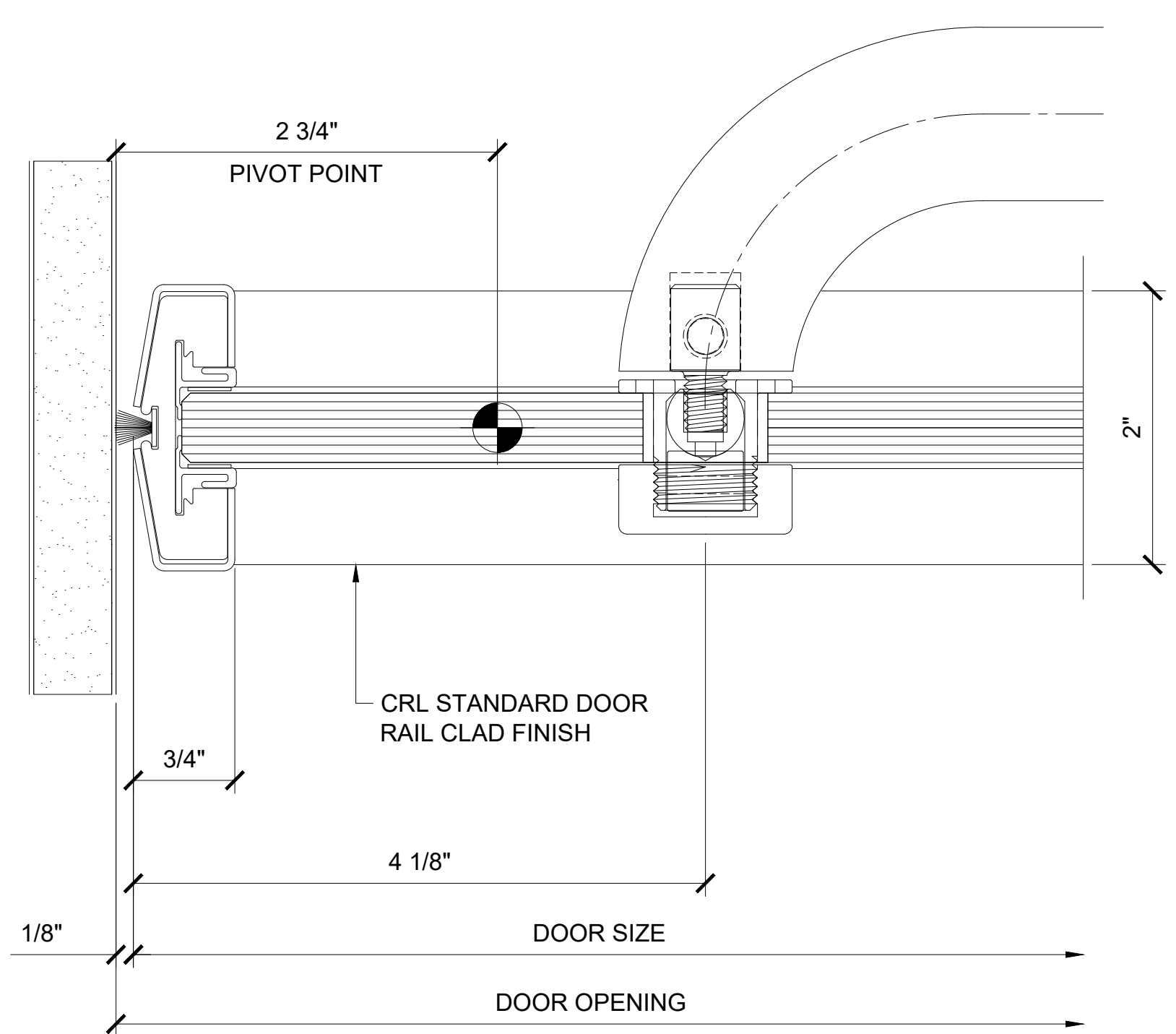
3 KEYED PANIC ACTUATOR DETAILS  
1/2" ALL GLASS DOOR W/ PA100\_



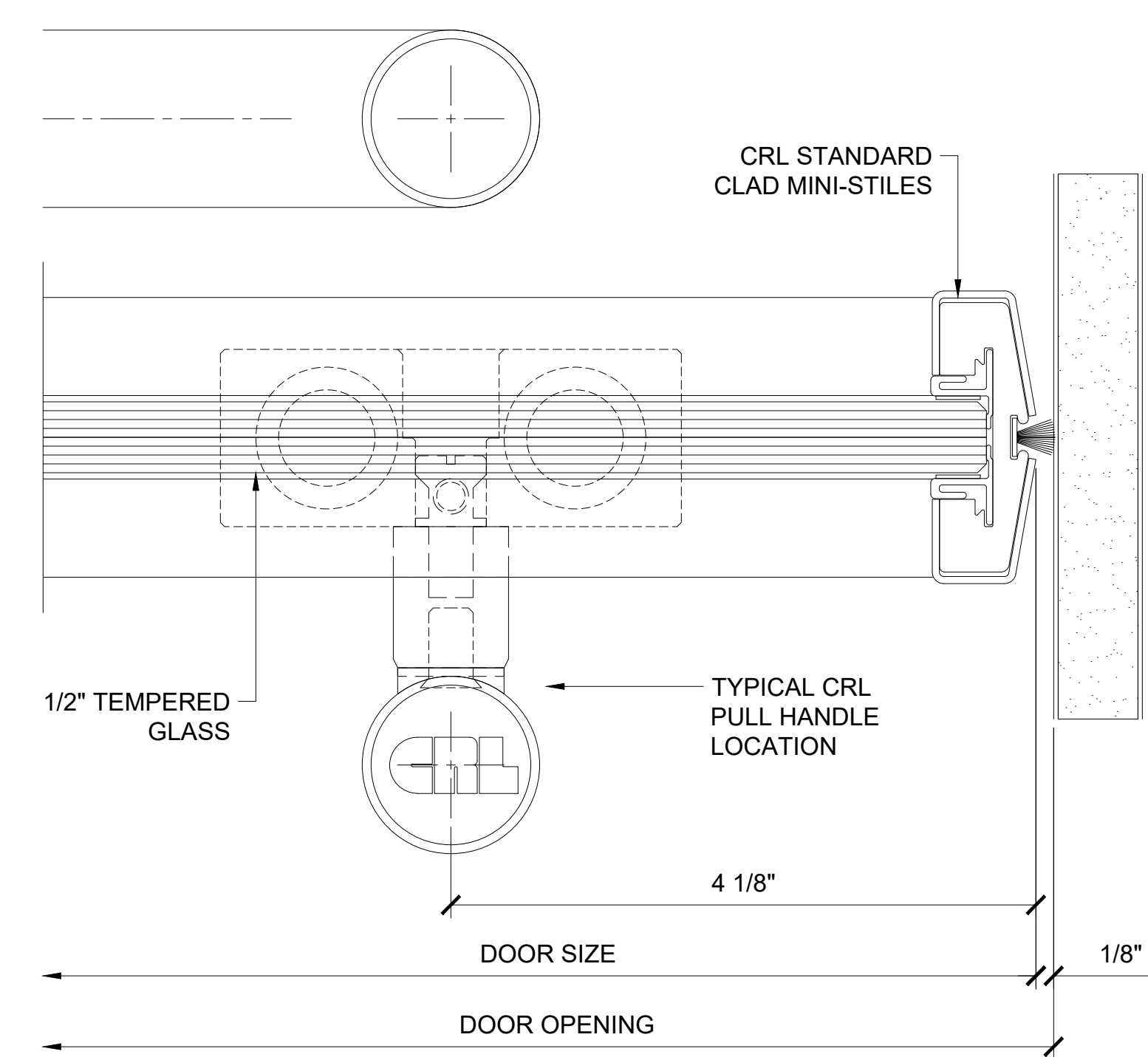
2 INTERIOR PANIC HANDLE DETAIL  
1/2" ALL GLASS DOOR W/ PA100\_



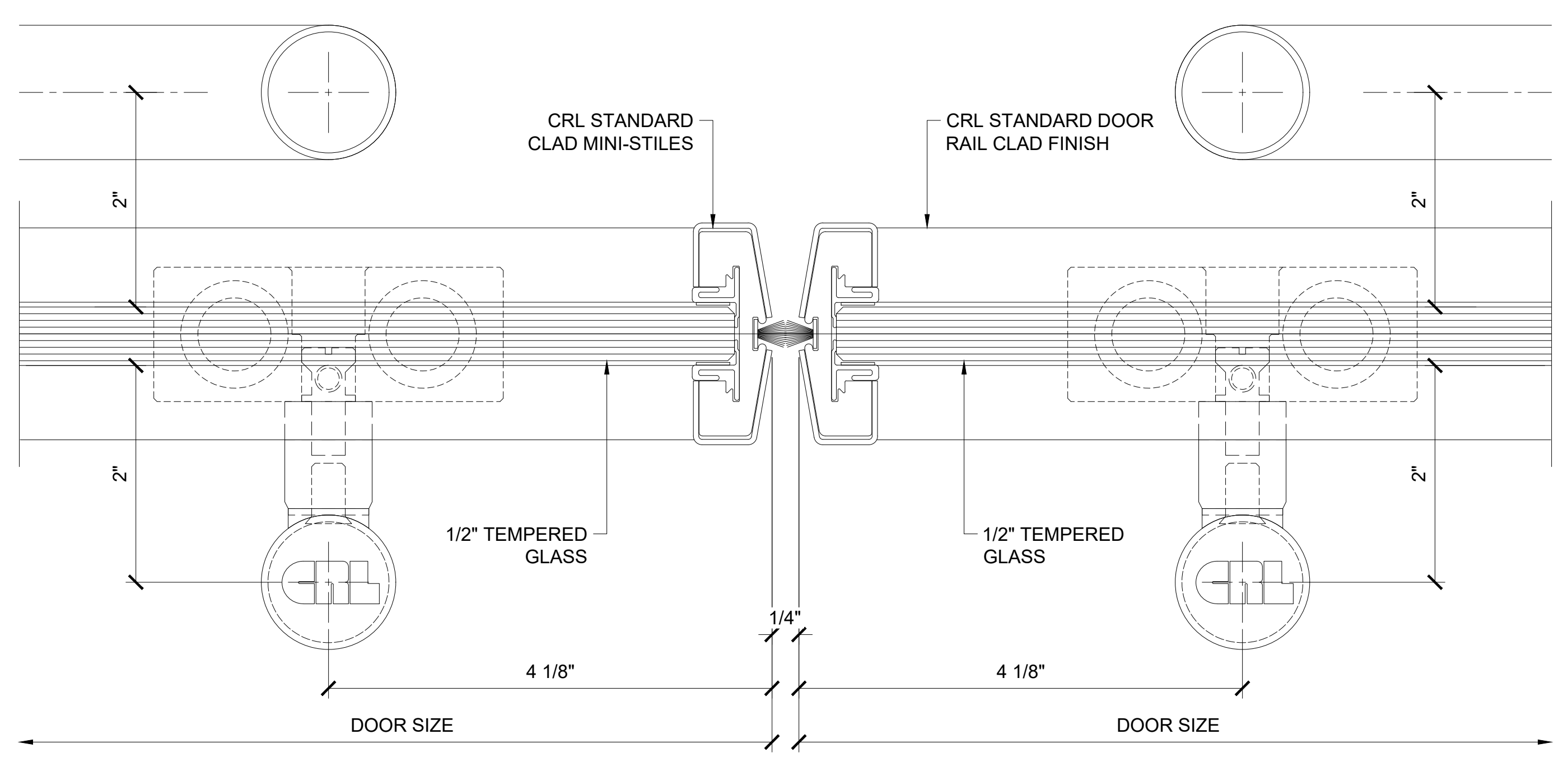
1 EXTERIOR HANDLE DOOR SILL DETAIL  
WEDGE-LOCK "P & BP" STYLE ALL GLASS DOOR W/ PA100F



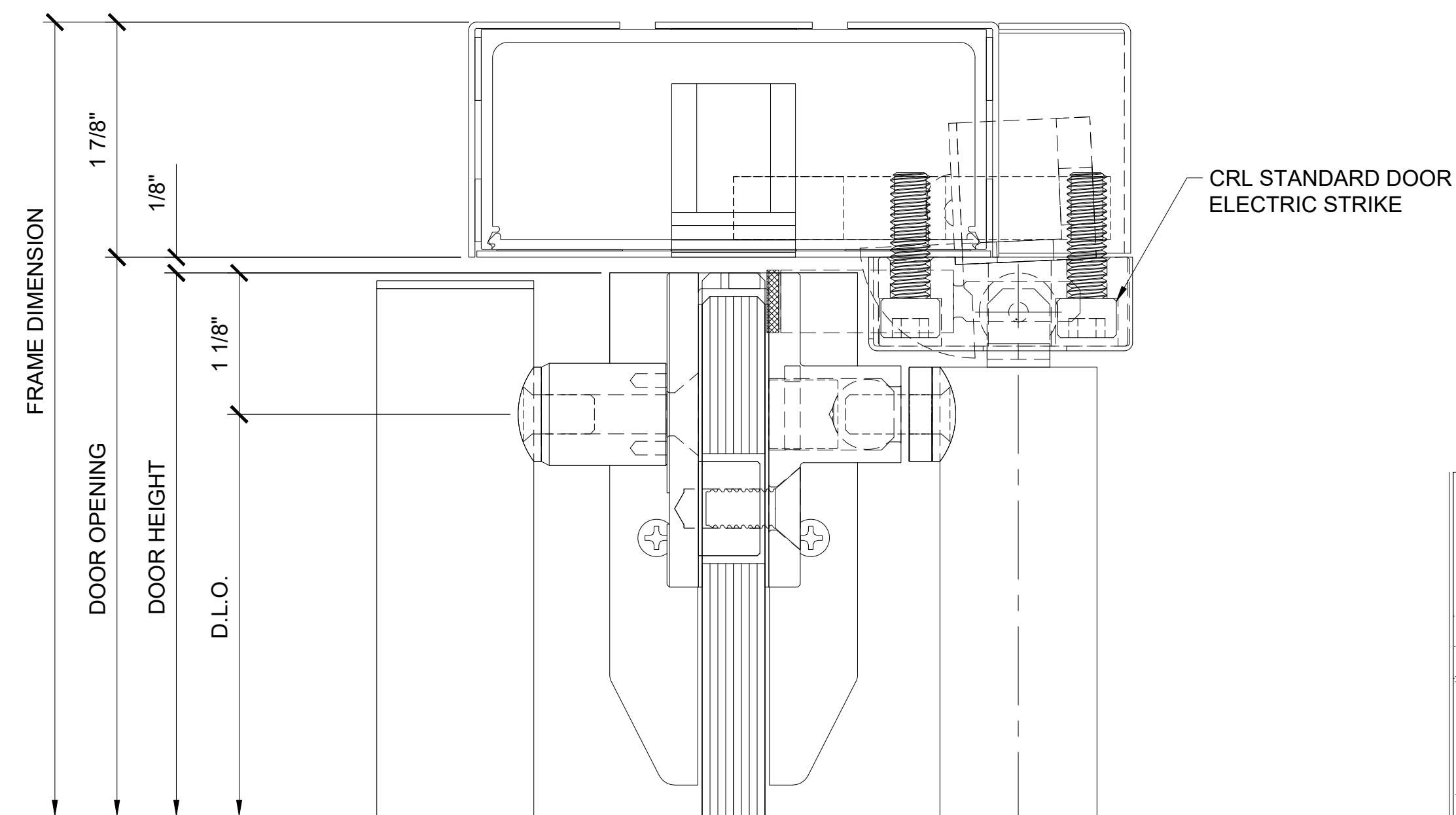
5 JAMB DETAIL AT PANIC HANDLE HINGE SIDE  
WEDGE-LOCK "P" STYLE ALL GLASS DOOR W/ PA100F



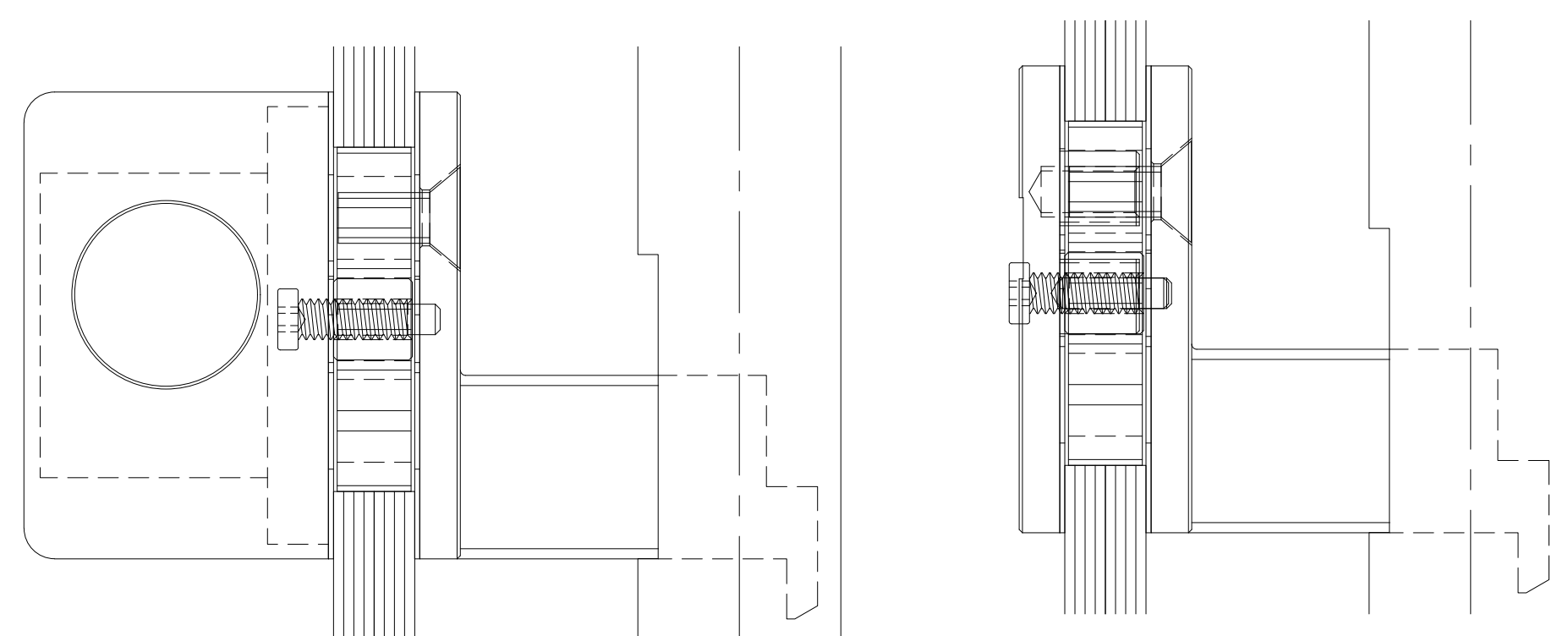
6 JAMB DETAIL AT PANIC HANDLE LOCK SIDE  
WEDGE-LOCK "P" STYLE ALL GLASS DOOR W/ PA100F



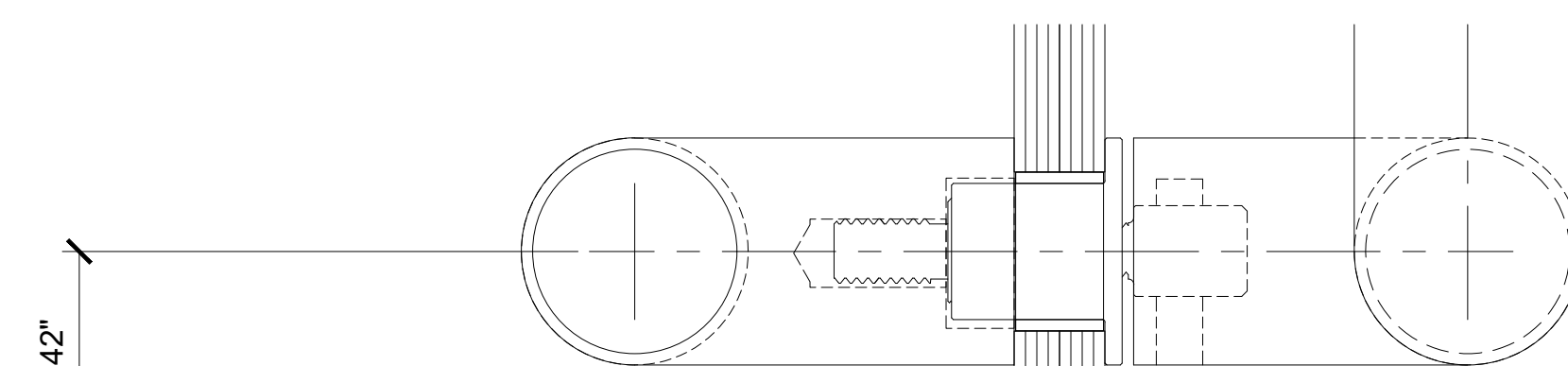
7 MEETING STILES AT PANIC HANDLE  
WEDGE-LOCK "P" STYLE ALL GLASS DOOR W/ PA100F



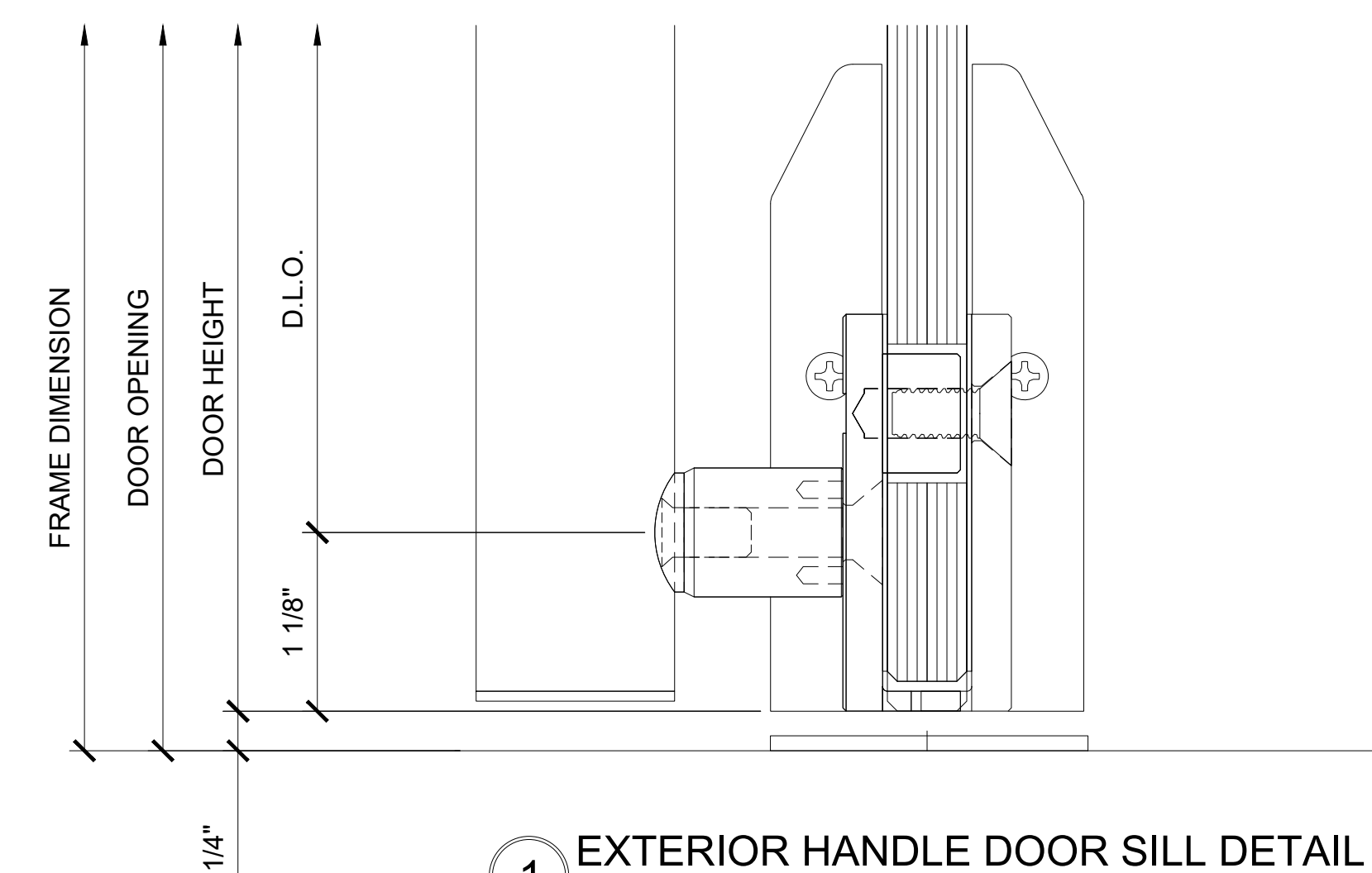
**4 PANIC HANDLE DOOR HEAD DETAIL**  
WEDGE-LOCK "A & BP" STYLE ALL GLASS DOOR W/PA100F



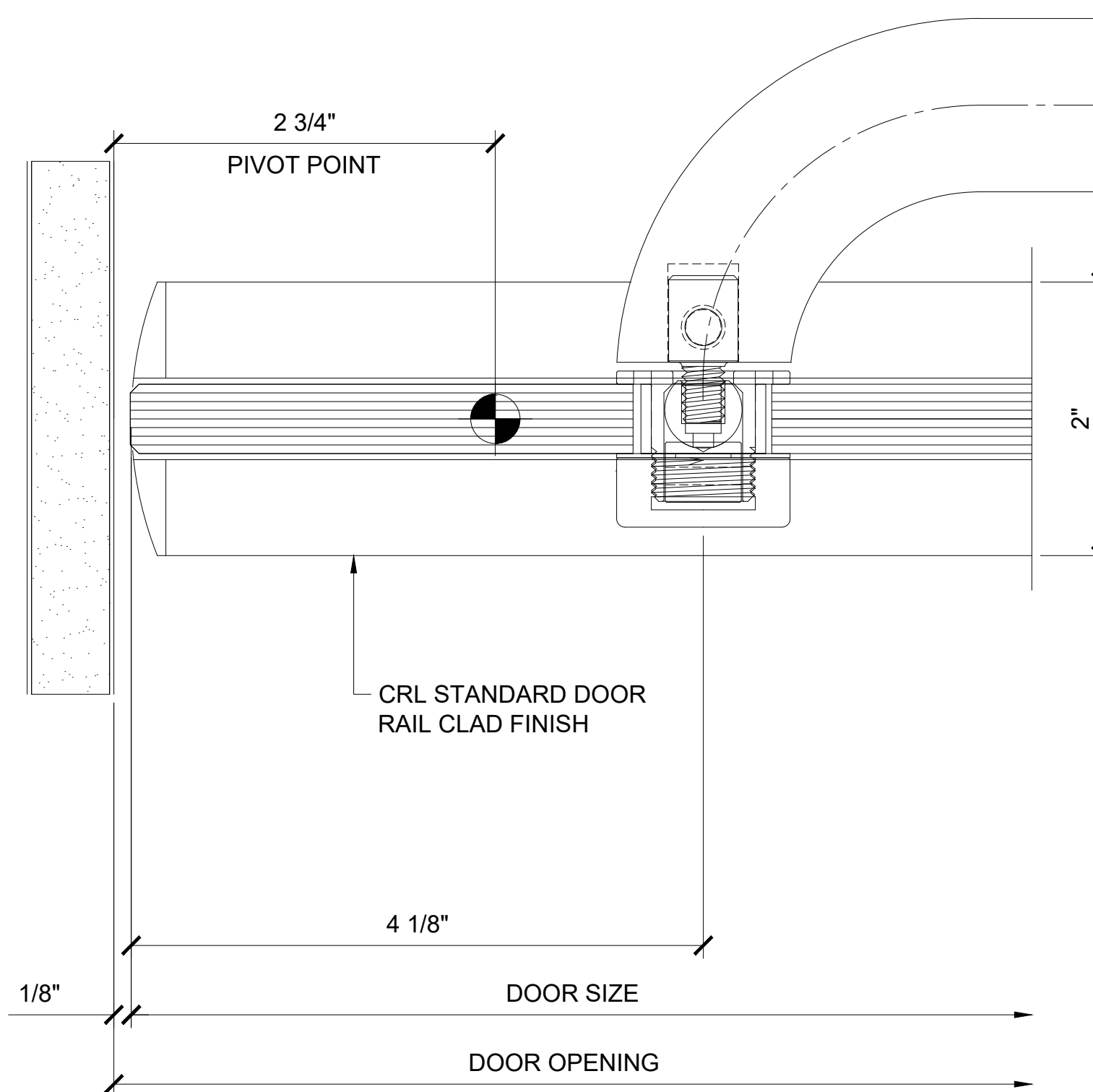
**3 PANIC ACTUATOR OPTIONAL DETAILS**  
1/2" ALL GLASS DOOR W/ PA100\_



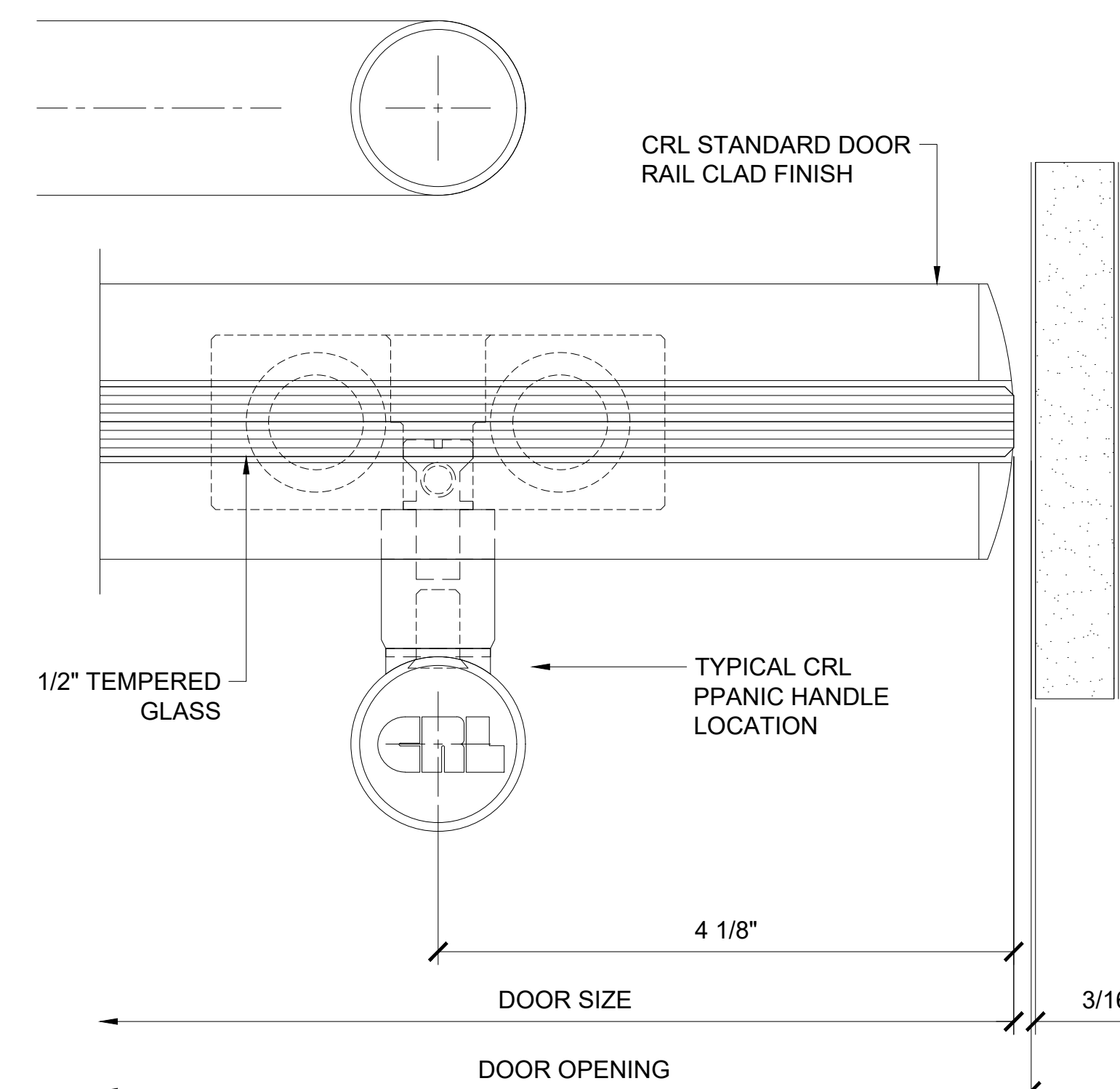
**2 B TO B PANIC HANDLE DETAIL**  
1/2" ALL GLASS DOOR W/ PA100\_



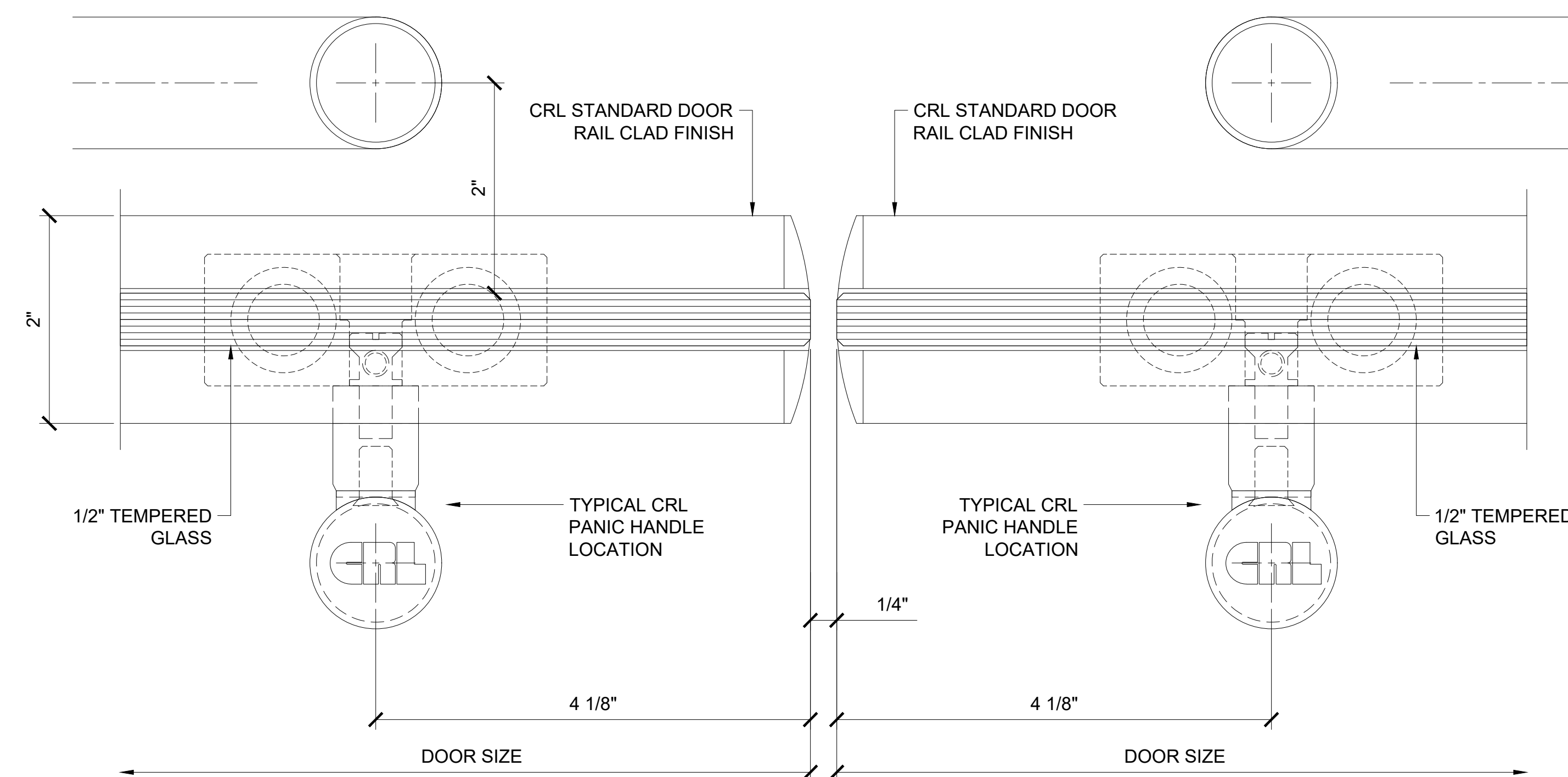
**1 EXTERIOR HANDLE DOOR SILL DETAIL**  
WEDGE-LOCK "A" STYLE ALL GLASS DOOR W/ PA100F



**5 JAMB DETAIL AT PANIC HANDLE HINGE SIDE**  
WEDGE-LOCK "BP" STYLE ALL GLASS DOOR W/ PA100F



**6 JAMB DETAIL AT PANIC HANDLE LOCK SIDE**  
WEDGE-LOCK "BP" STYLE ALL GLASS DOOR W/ PA100F



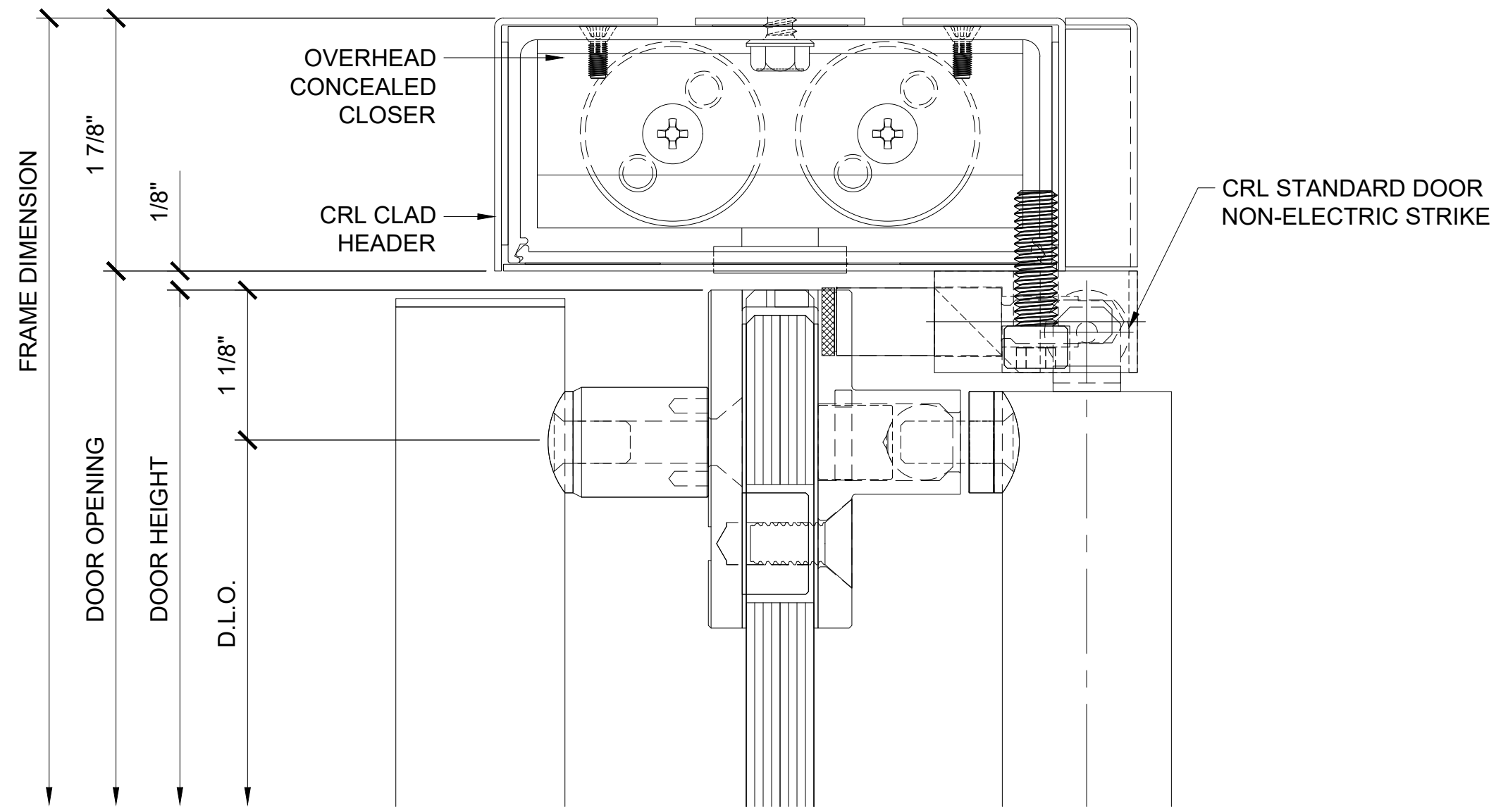
**7 MEETING STILES AT PANIC HANDLE**  
WEDGE-LOCK "BP" STYLE ALL GLASS DOOR W/ PA100F

Description:

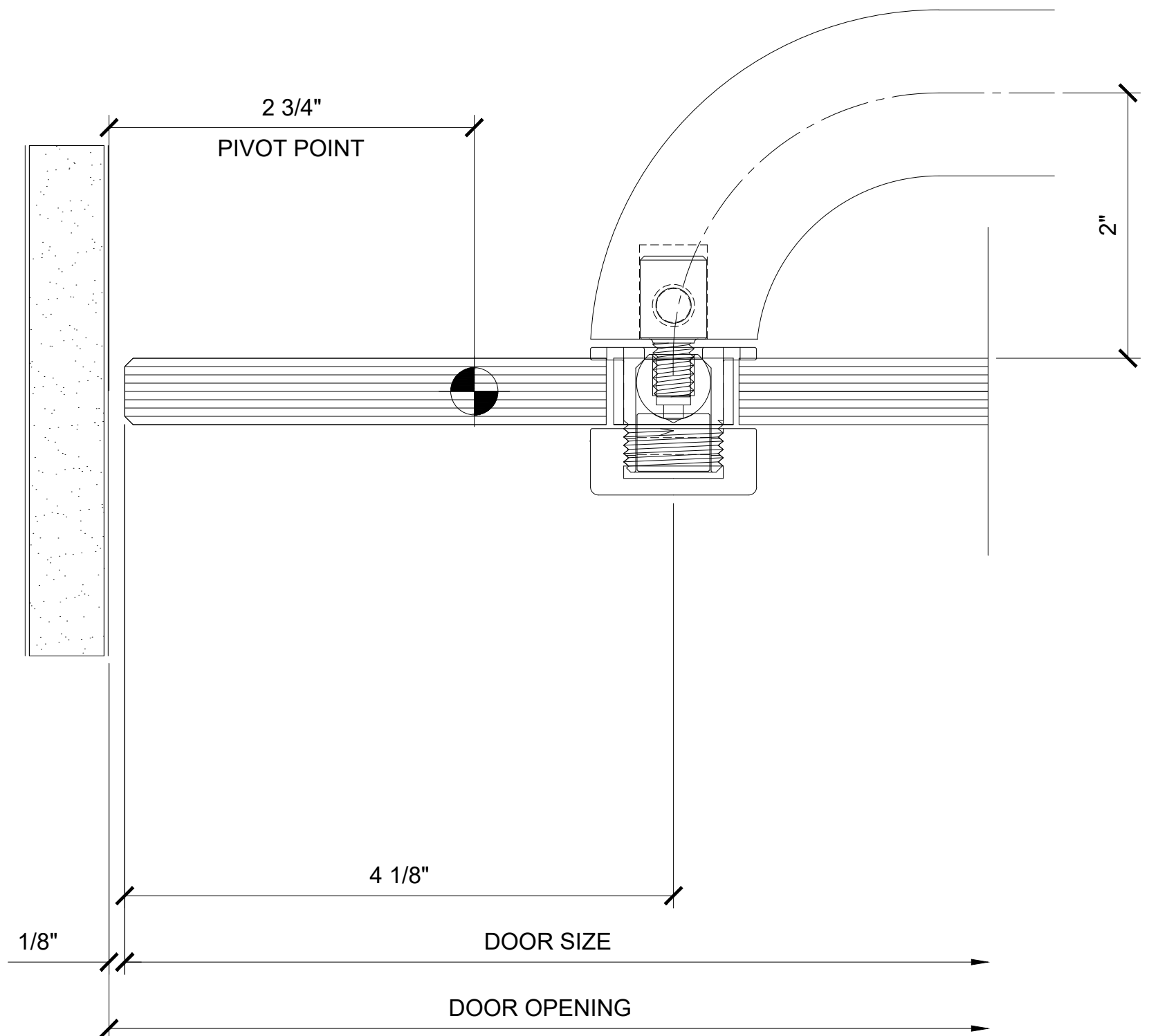
CRL / BLUMCRAFT  
PANIC HANDLES  
FOR ALL DOOR SYSTEMS

Drawn By: VM  
Date: 10/24/2013  
Scale: 1'-0" = 1'-0"  
File Name: CRL\_BCRFT PHS.dwg

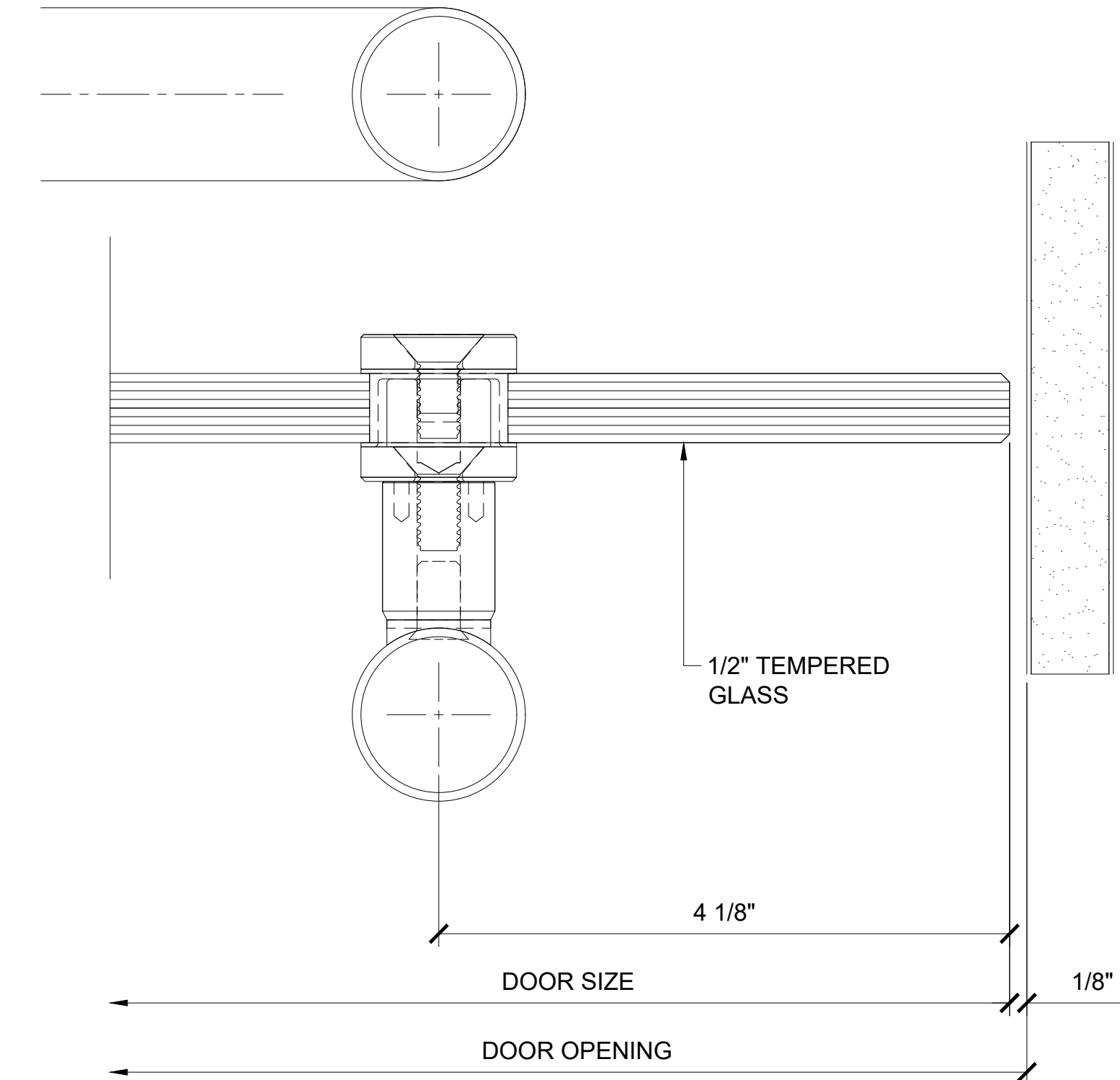
Sheet



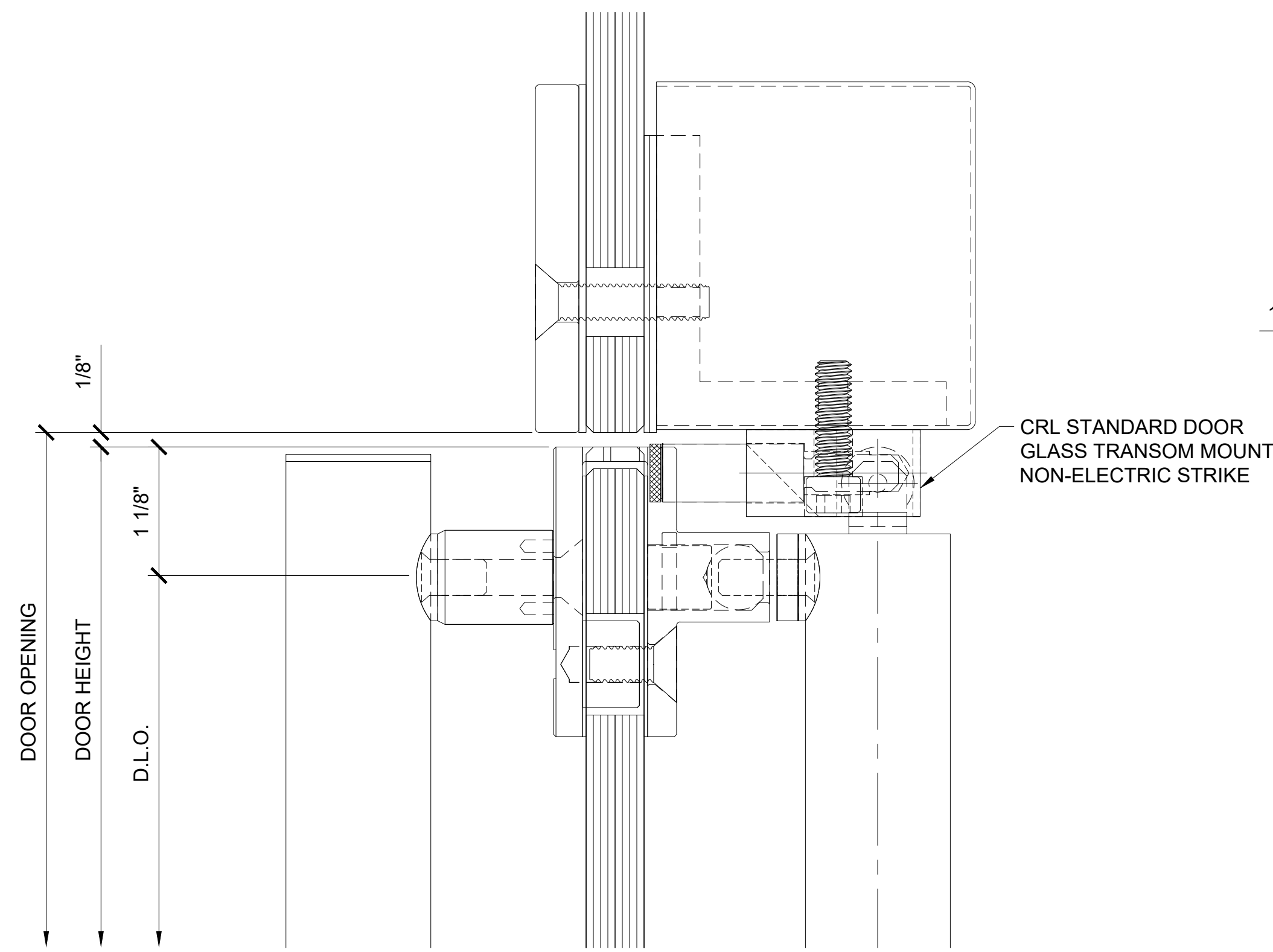
**4 PANIC HANDLE DOOR HEAD DETAIL**  
PATCH STYLE ALL GLASS DOOR W/PA100F



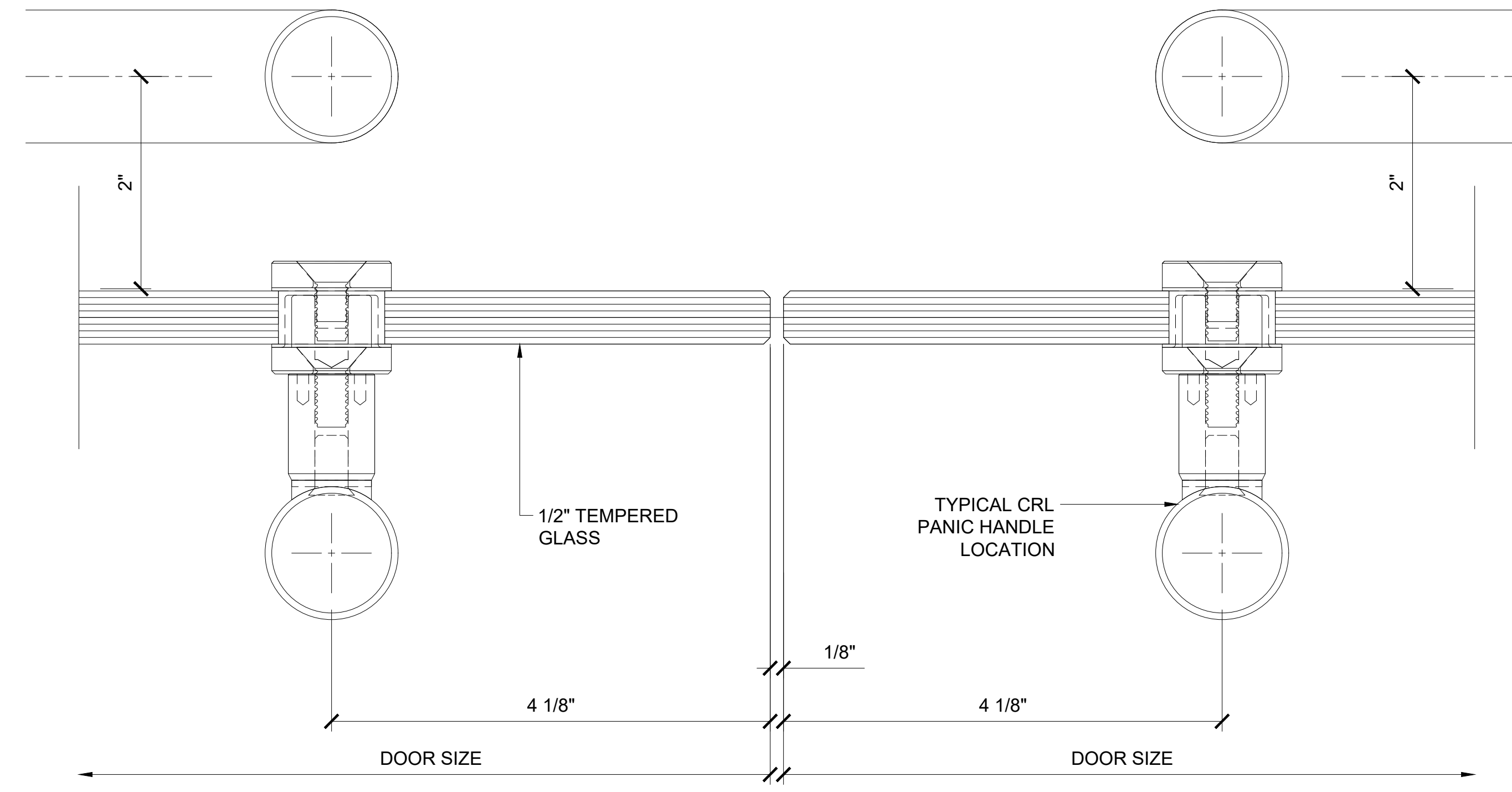
**5 JAMB DETAIL AT PANIC HANDLE HINGE SIDE**  
PATCH STYLE ALL GLASS DOOR W/ PA100F



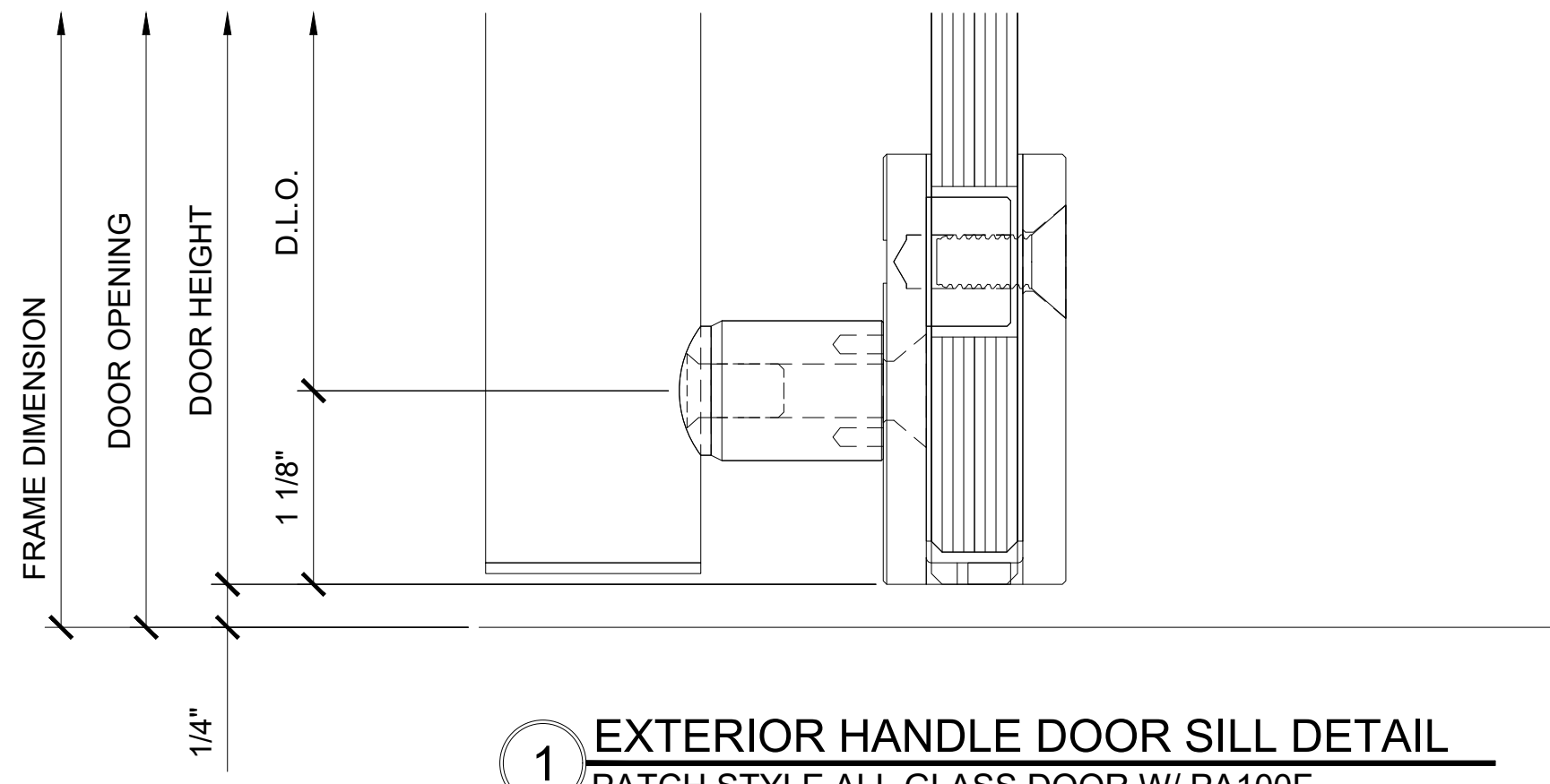
**6 JAMB DETAIL AT PANIC HANDLE LOCK SIDE**  
PATCH STYLE ALL GLASS DOOR W/ PA100F



**3 PANIC HANDLE DOOR GLASS TRANSOM DETAIL**  
PATCH STYLE ALL GLASS DOOR W/PA100F



**7 MEETING STILES AT PANIC HANDLE**  
PATCH STYLE ALL GLASS DOOR W/ PA100F

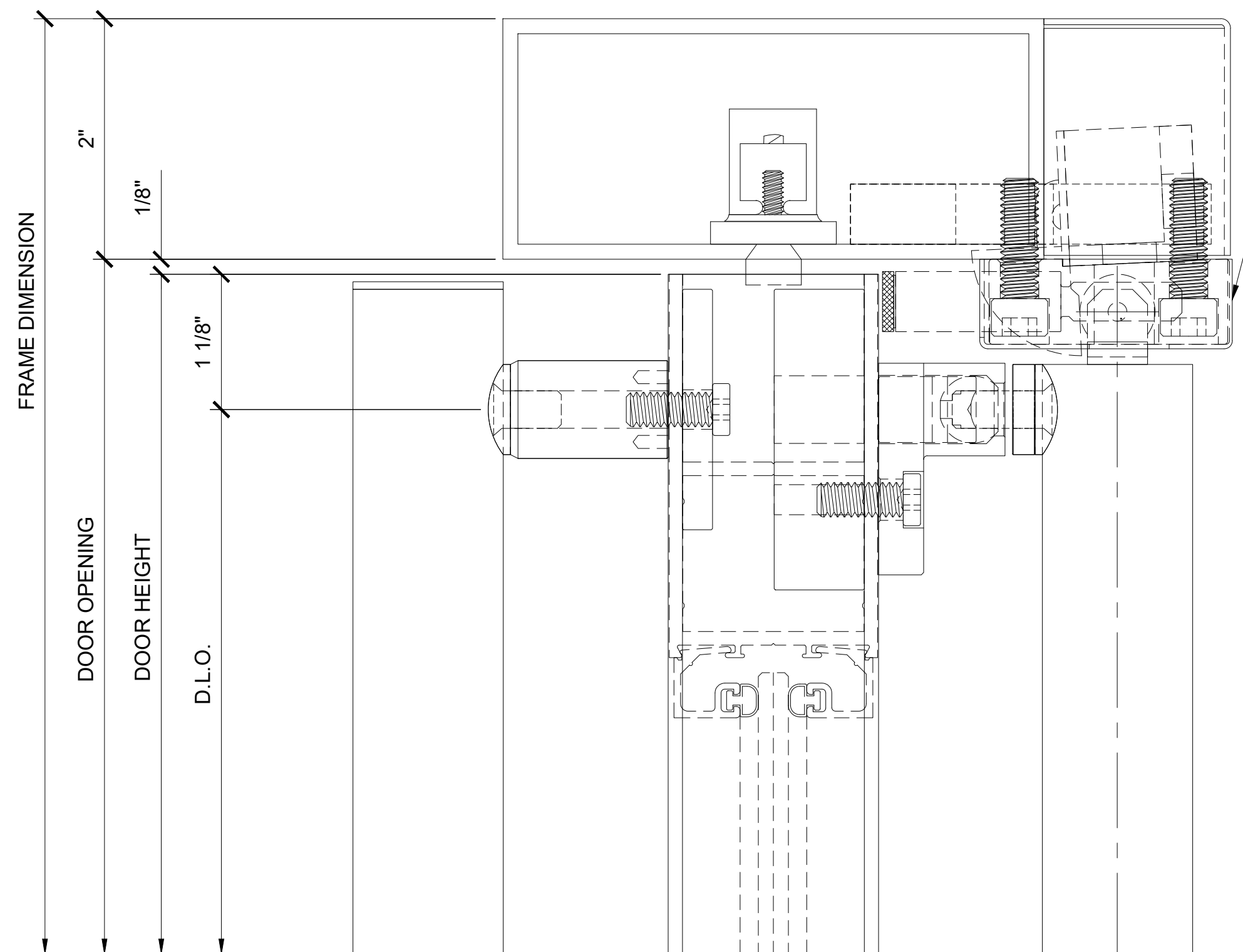


**1 EXTERIOR HANDLE DOOR SILL DETAIL**  
PATCH STYLE ALL GLASS DOOR W/ PA100F

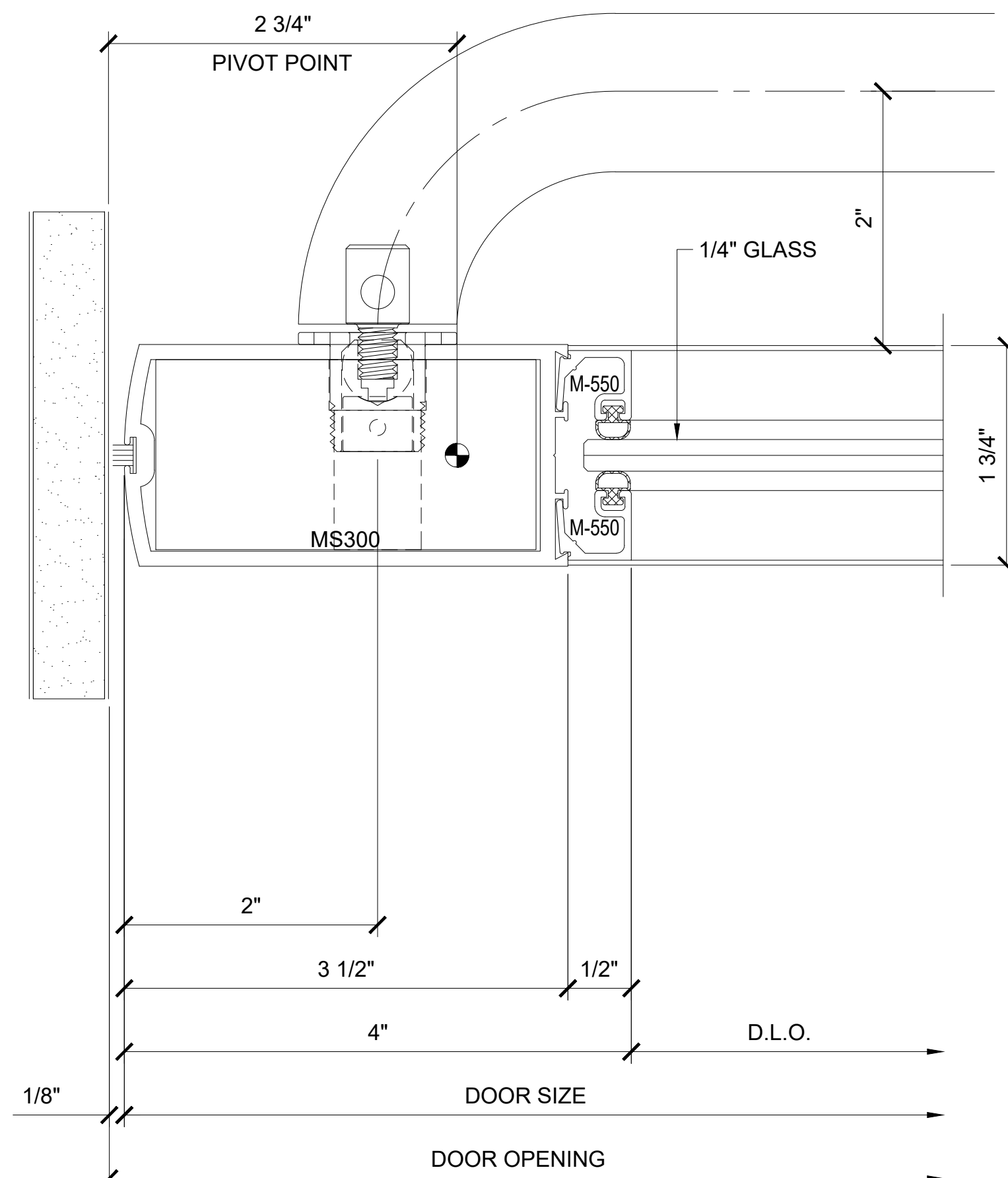
Description:  
CRL / BLUMCRAFT  
PANIC HANDLES  
FOR ALL DOOR SYSTEMS

Drawn By: VM  
Date: 10/24/2013  
Scale: 1'-0" = 1'-0"  
File Name: CRL\_BCRFT PHS.dwg

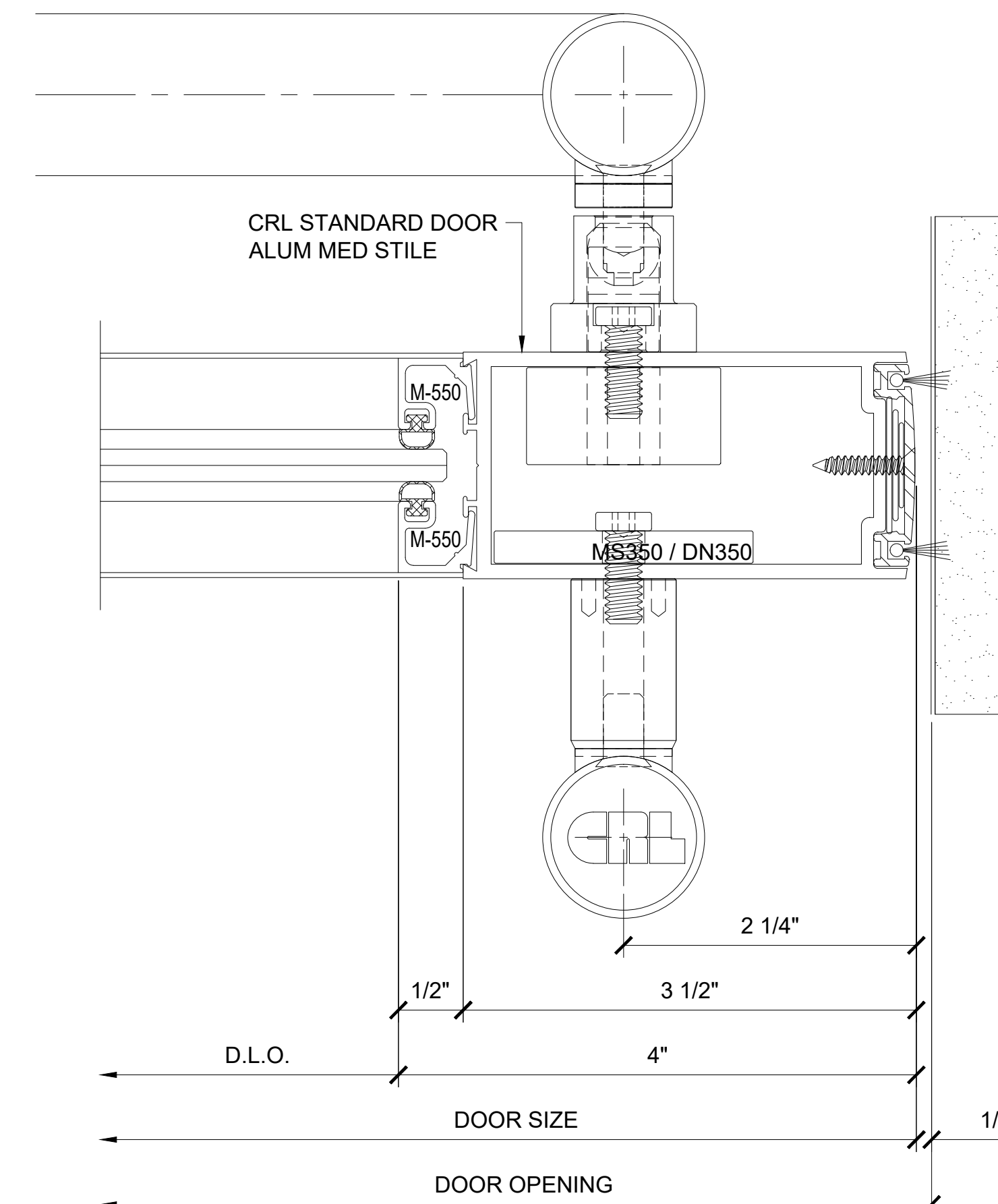
Sheet



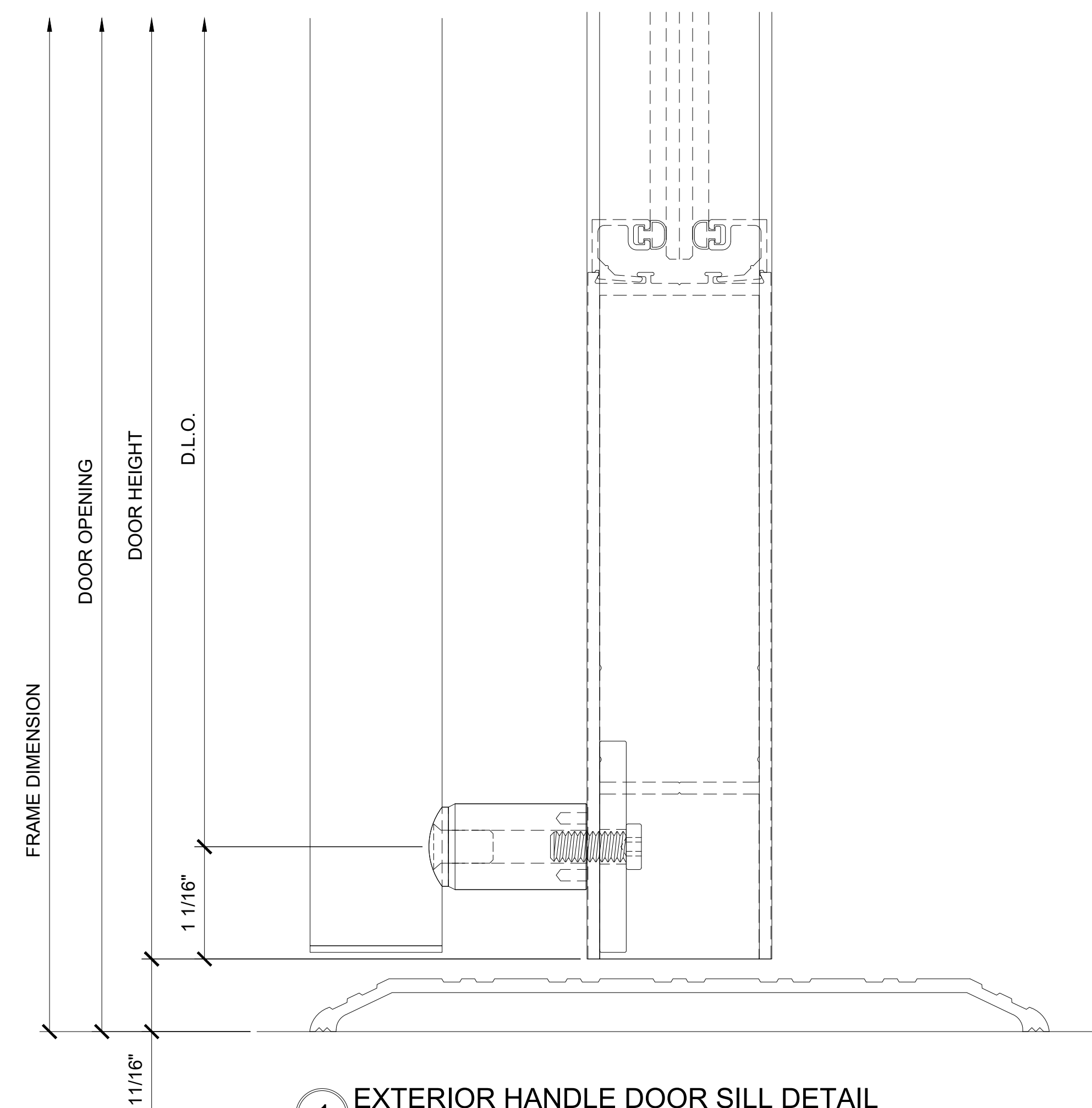
4 PANIC HANDLE DOOR HEAD DETAIL  
CRL-US ALUM SERIES 400 FULL FRAMED DOOR W/PA100F



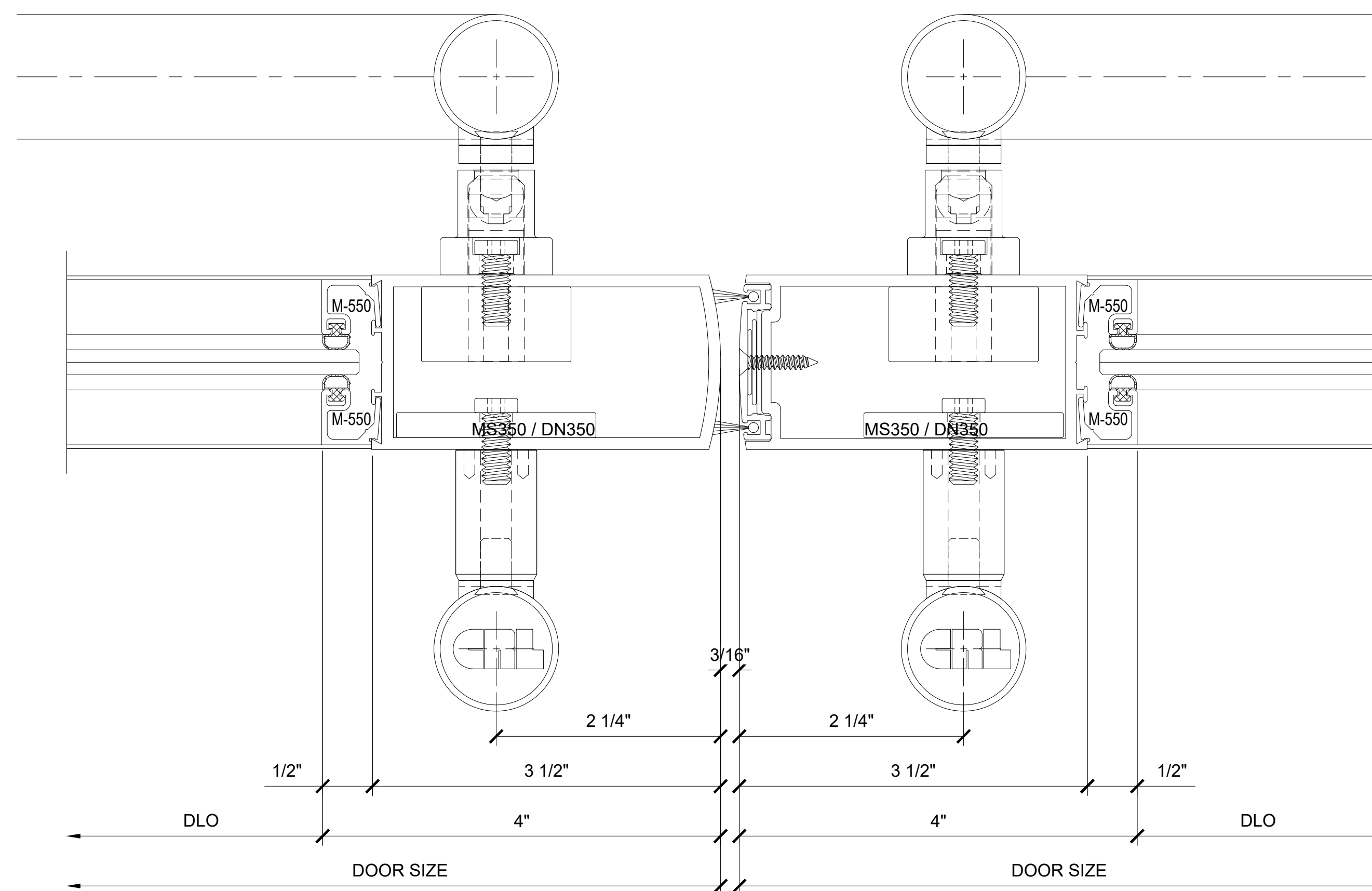
5 JAMB DETAIL AT PANIC HANDLE HINGE SIDE  
CRL-US ALUM SERIES 400 FULL FRAMED DOOR W/PA100F



6 JAMB DETAIL AT PANIC HANDLE LOCK SIDE  
CRL-US ALUM SERIES 400 FULL FRAMED DOOR W/PA100F



1 EXTERIOR HANDLE DOOR SILL DETAIL  
CRL-US ALUM SERIES 400 FULL FRAMED DOOR W/PA100F



7 MEDIUM MEETING STILES AT PANIC HANDLE  
CRL-US ALUM SERIES 400 FULL FRAMED DOOR W/PA100F

Revisions By:

**CRL**  
A CRH COMPANY

2503 E. Vernon Avenue, Los Angeles, CA 90058-1897  
PH (800) 421-6144 FX (800) 387-7501 www.crlus.com

Description:

CRL / BLUMCRAFT  
PANIC HANDLES  
FOR ALL DOOR SYSTEMS

Drawn By: VM  
Date: 10/24/2013  
Scale: NTS  
File Name: CRL\_BCRFT PHS.dwg

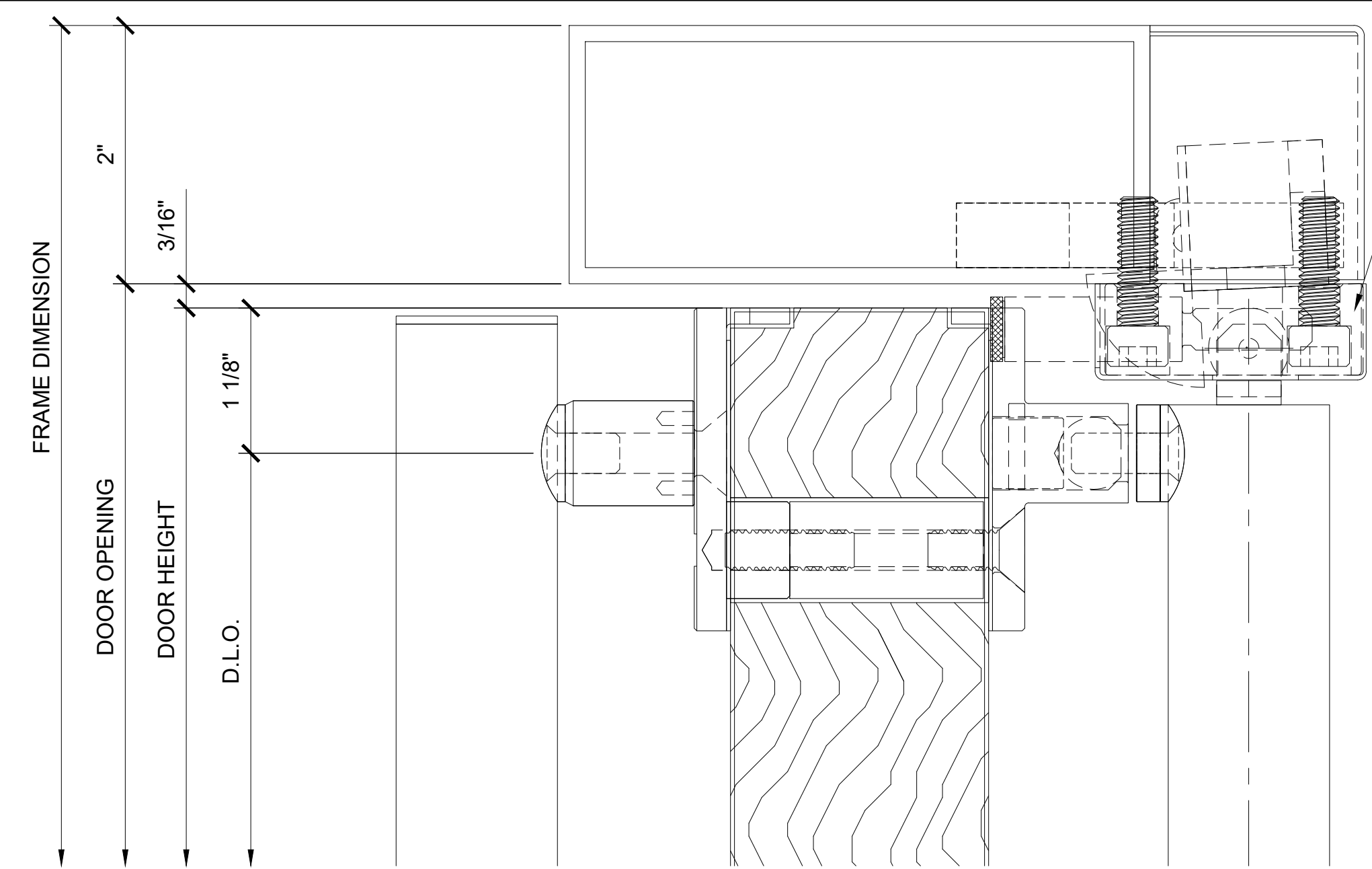
Sheet

Description:

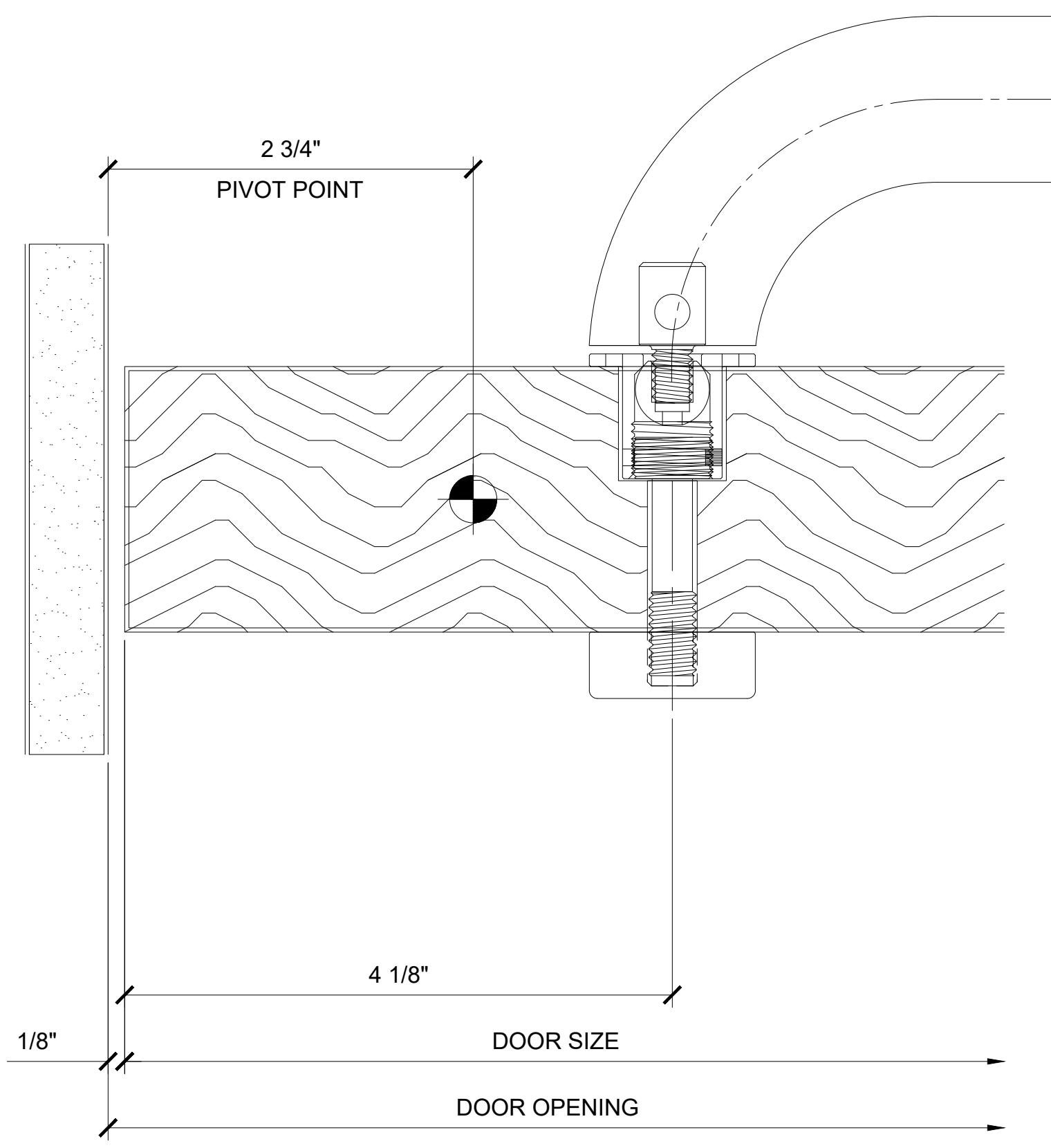
CRL / BLUMCRAFT  
PANIC HANDLES  
FOR ALL DOOR SYSTEMS

Drawn By: VM  
Date: 10/24/2013  
Scale: 1'-0" = 1'-0"  
File Name: CRL\_BCRFT PHS.dwg

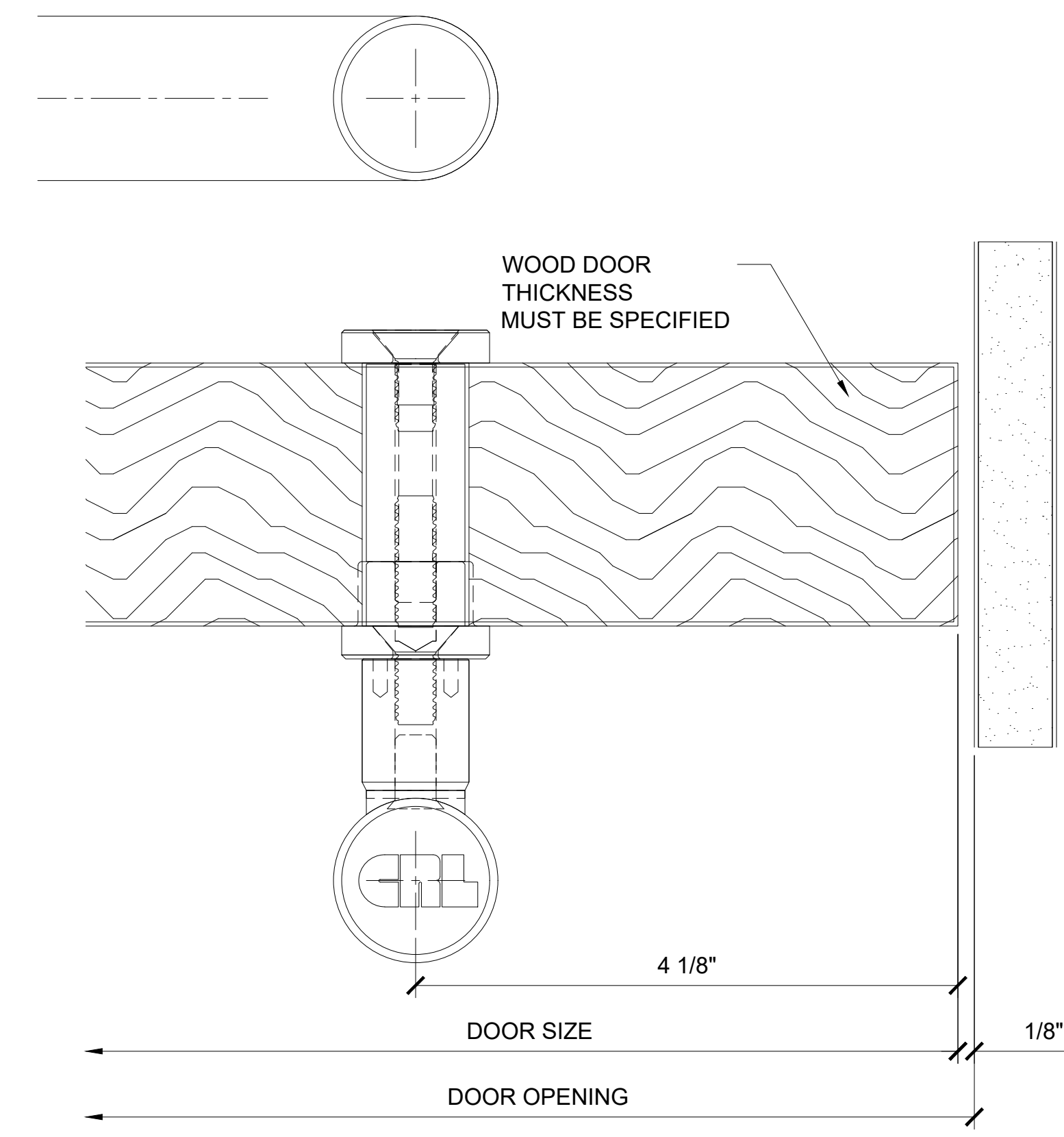
Sheet



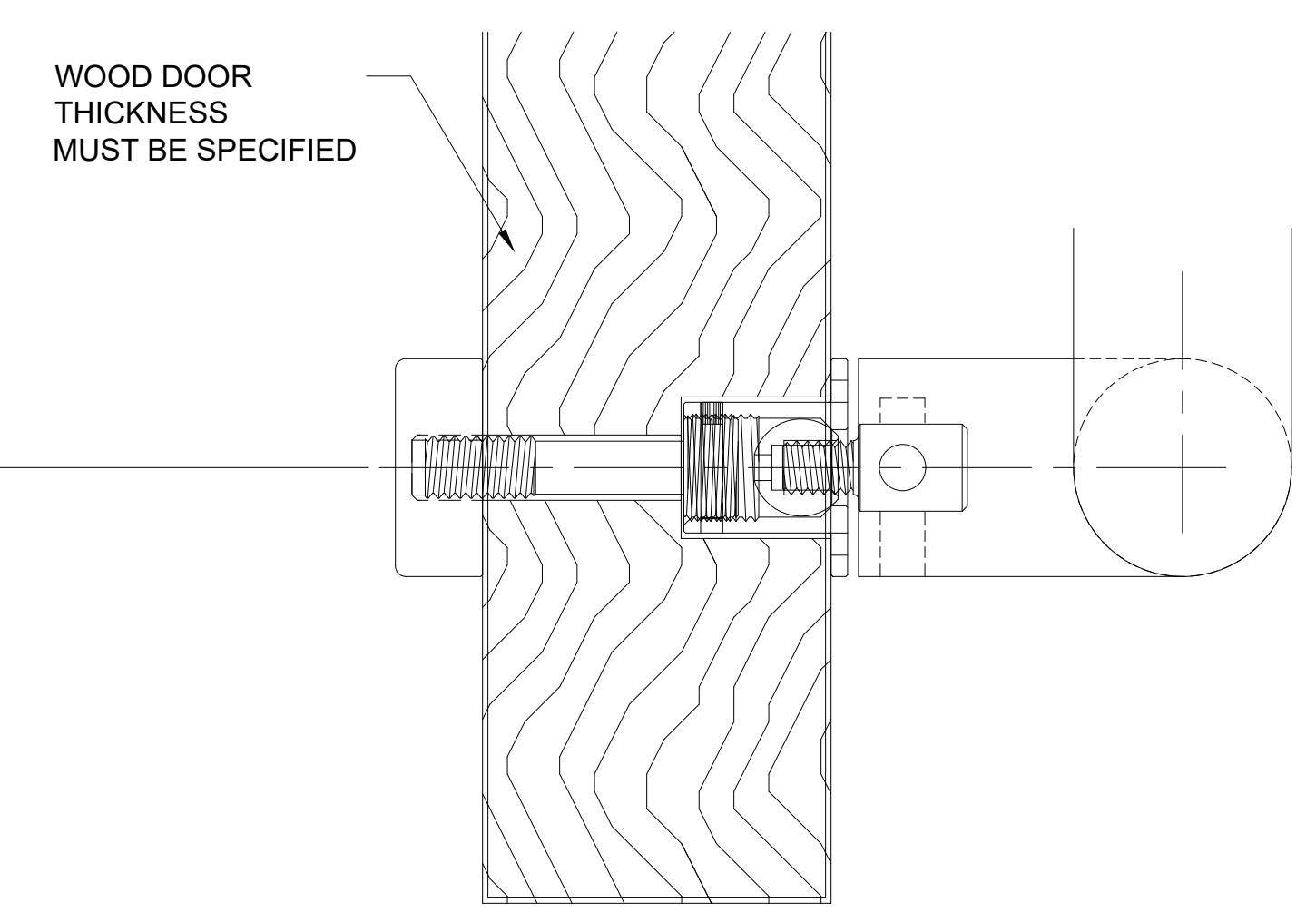
4 PANIC HANDLE WOOD DOOR HEAD DETAIL  
2" THICK SOLID WOOD DOOR W/PA100F



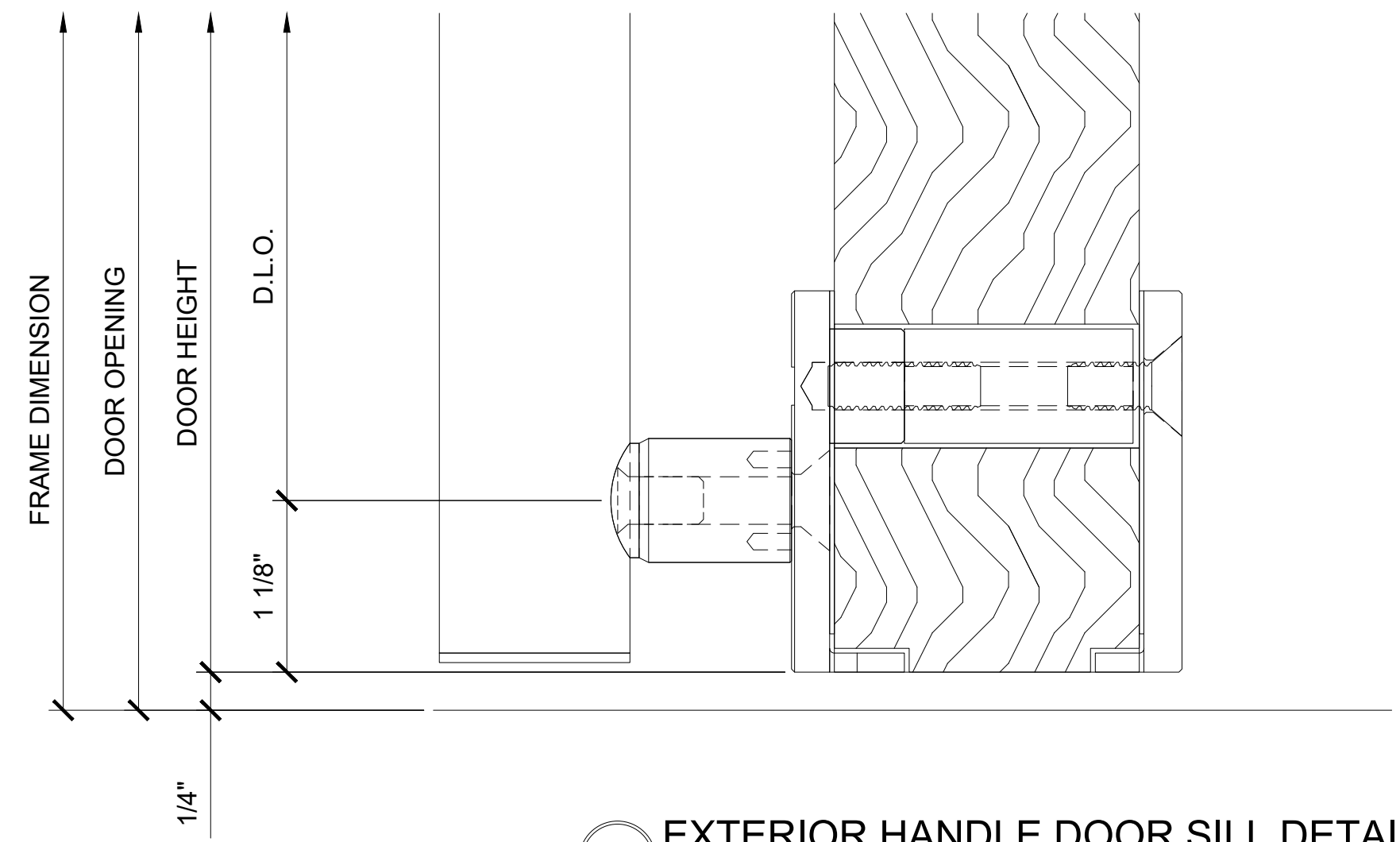
5 JAMB DETAIL AT PANIC HANDLE HINGE SIDE  
2" THICK SOLID WOOD DOOR W/PA100F



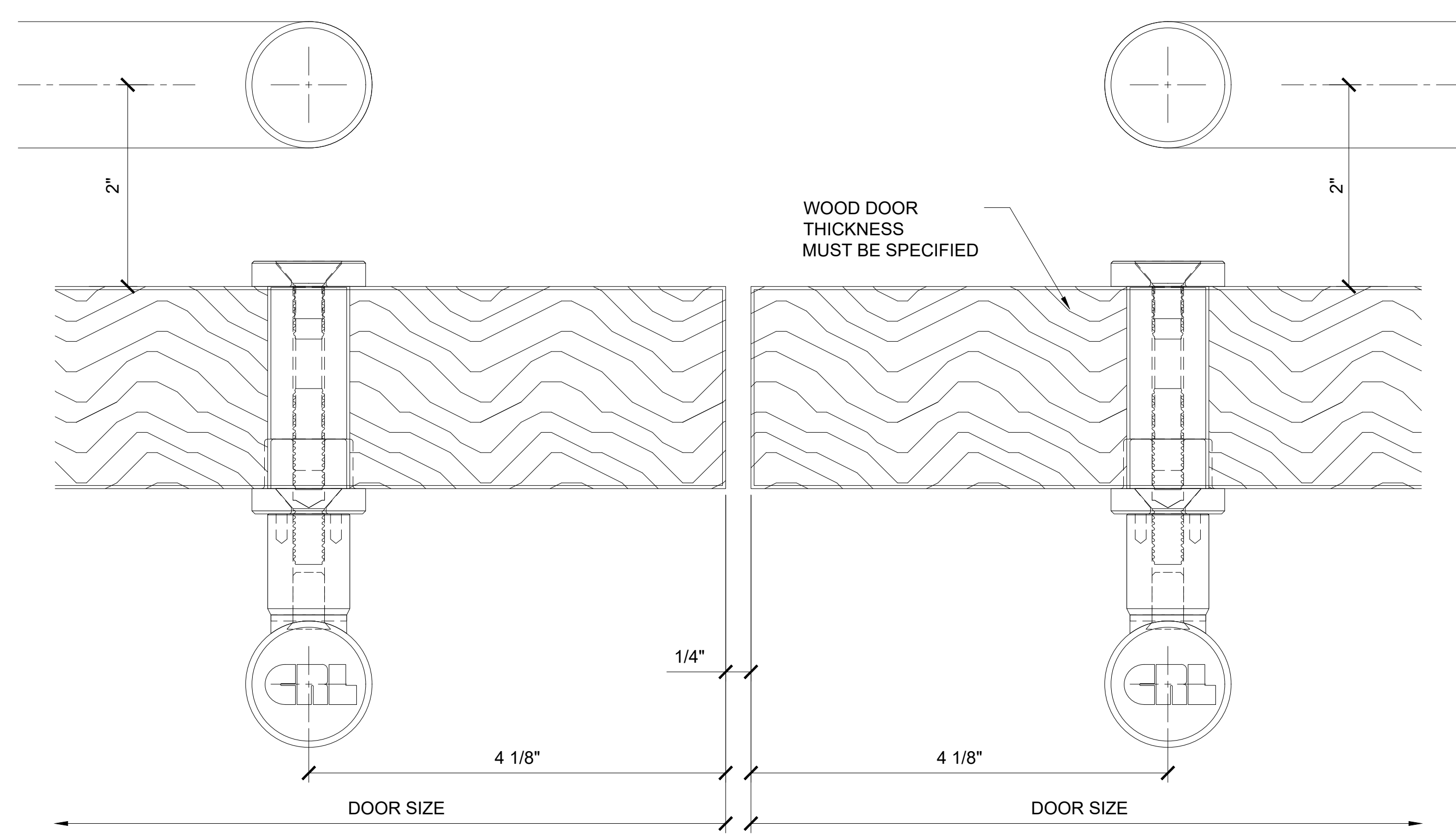
6 JAMB DETAIL AT PANIC HANDLE LOCK SIDE  
2" THICK SOLID WOOD DOOR W/PA100F



2 PANIC HANDLE DETAIL  
2" THICK SOLID WOOD DOOR W/PA100F



1 EXTERIOR HANDLE DOOR SILL DETAIL  
2" THICK SOLID WOOD DOOR W/PA100F



7 WOOD MEETING STILES AT PANIC HANDLE  
SOLID WOOD DOOR W/PA100F