

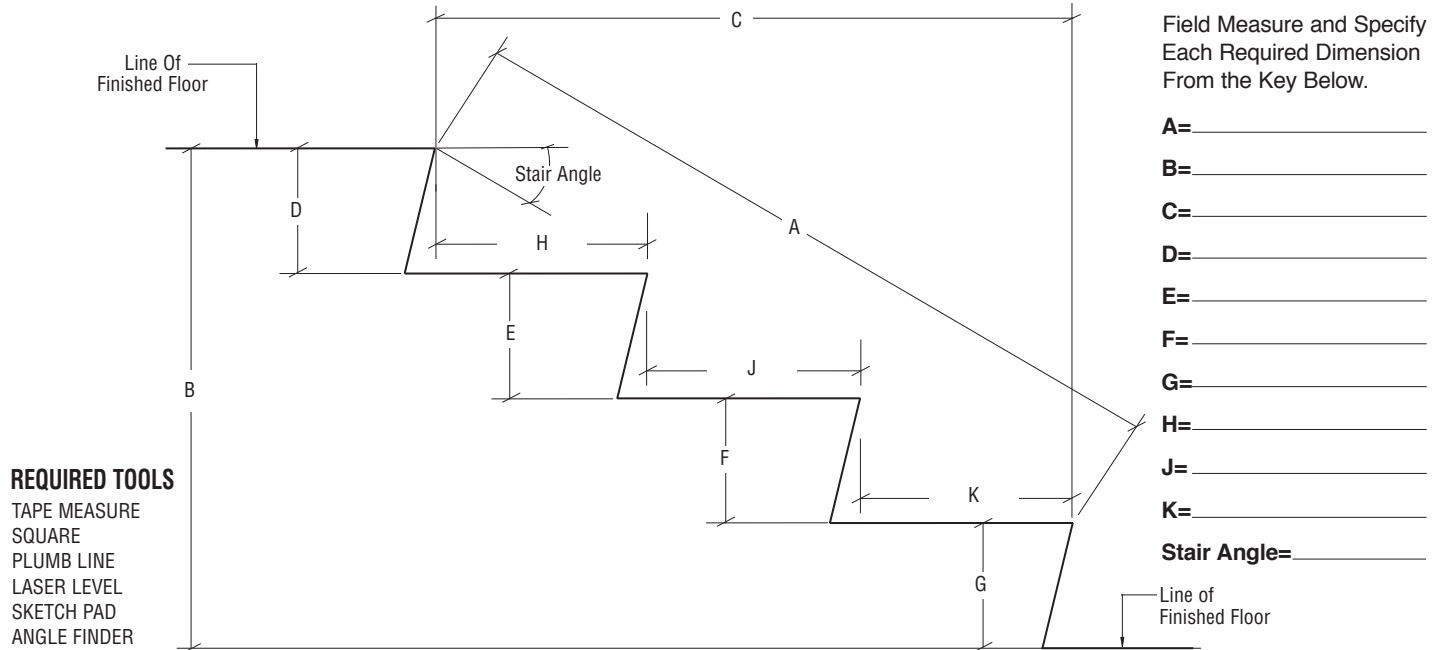
Practice Methods for Measuring Stairways

When measuring an existing stairway for fabricated railings please keep in mind the importance of every measurement that is needed to produce the required railing system. Measure every dimension that is indicated below to ensure your railing system is produced correctly.

Style #1

Measuring Short Run Stairways (4 or Fewer Treads) Dimensions Needed for Tread Mounted Post Rail System

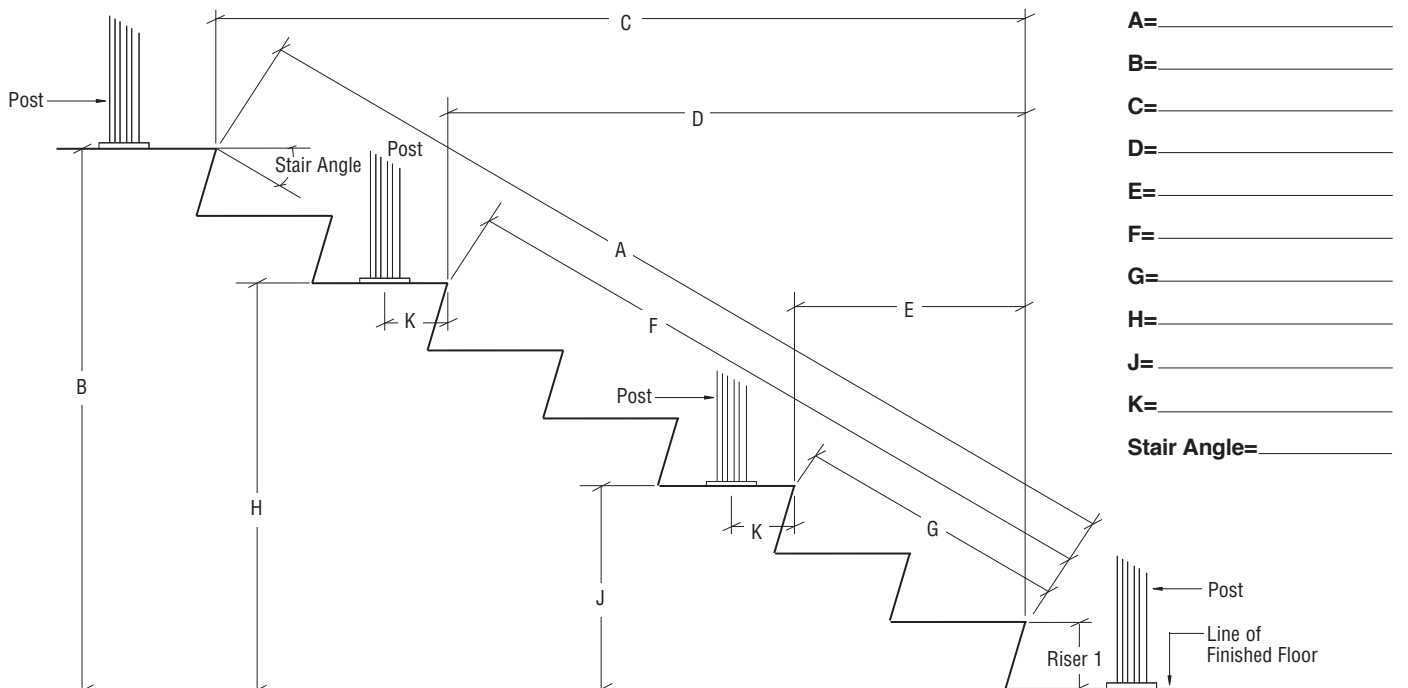
Important: Depending on the complexity of your project, one or more of the following may be required to accurately order: sketches or drawings of your particular application with dimensions; printed architectural drawings or cad files; photos of the job site conditions (digital images are preferable).



Style #2

Measuring Long Run Stairways (5 or More Treads) Dimensions Needed for Tread Mounted Post Rail System

Field Measure and Specify Each Required Dimension From the Key Below.



CRL P-SERIES POST RAILING SYSTEMS

For Pricing Visit Our Web Site or Call Us Toll Free at the Phone Numbers Shown on the Back Cover



P-Post Quote/Order Request Form

C.R. Laurence Co.

Fax Completed Checklist to C.R. Laurence Technical Sales at (800) 587-7501 in the U.S., or (323) 584-5289 (Canada and International). Then call to discuss: (800) 421-6144 (U.S.), (877) 421-6144 (Canada), or (323) 588-1281 (International). Ask for Extension 7730. This form is also available online at crlaurence.com.

Company Name _____
 Contact _____
 Job Name _____

Phone # _____
 Fax # _____
 Date _____

When you are ready to order, utilize this form to assist you in covering the details required to complete a P-Post Railing System installation. Going through this exercise should prevent you from overlooking any details related to your installation.

IMPORTANT: Depending on the complexity of your project, one or more of the following may be required to accurately order: sketches or drawings of your particular application with dimensions; printed architectural drawings or CAD files; photos of the job site conditions (digital images are preferable).
NOTE: Stairway applications will require additional layout drawing on page 287R that needs to be filled out at time of order. A final sign off is required prior to any custom fabrication.

RAILING HEIGHT <input type="checkbox"/> 36" (914 mm) <input type="checkbox"/> 42" (1067 mm) <input type="checkbox"/> Other (Specify) _____	POST STYLE <input type="checkbox"/> P1 Series <input type="checkbox"/> P2 Series <input type="checkbox"/> P3 Series <input type="checkbox"/> P4 Series <input type="checkbox"/> P5 Series <input type="checkbox"/> P6 Series <input type="checkbox"/> P7 Series <input type="checkbox"/> P8 Series <input type="checkbox"/> Other (Specify) _____	GLASS ATTACHMENT <input type="checkbox"/> RB51 Fixed Attachment Fittings <input type="checkbox"/> Z-Series Clamps <input type="checkbox"/> RB50 Fixed Attachment Fittings <input type="checkbox"/> RB50 Swivel Attachment Fittings <input type="checkbox"/> Spider Fittings <input type="checkbox"/> Custom Welded Standoff Arms <input type="checkbox"/> Other (Specify) _____ <input type="checkbox"/> None	FLOOR CONDITION <input type="checkbox"/> Flat <input type="checkbox"/> Sloped (Degrees) _____
POST ATTACHMENT <input type="checkbox"/> Surface Mount (Top of Substrate) <input type="checkbox"/> Core Mount <input type="checkbox"/> Fascia Mount <input type="checkbox"/> Other (Specify) _____	TOP RAIL SIZE <input type="checkbox"/> 1-1/2" Schedule 40 1.9" O.D. <input type="checkbox"/> 1-1/4" Schedule 40 1.66" O.D. <input type="checkbox"/> Other (Specify) _____	RAILING INFILL <input type="checkbox"/> 1/2" (12 mm) Glass <input type="checkbox"/> 3/8" (10 mm) Glass <input type="checkbox"/> 1/8" (3.1 mm) Dia. Cable <input type="checkbox"/> 1/2" (12 mm) Round Bar <input type="checkbox"/> Other (Specify) _____ (Glass not supplied by CRL)	TOP RAIL END CAPS <input type="checkbox"/> Applied Flat End Caps <input type="checkbox"/> Welded Flat End Caps <input type="checkbox"/> Welded Domed End Caps <input type="checkbox"/> Other Specify _____
OPTIONAL HAND RAIL <input type="checkbox"/> 1-1/2" Diameter .050 Wall Thickness <input type="checkbox"/> 1-1/2" Square .050 Wall Thickness <input type="checkbox"/> 2" Diameter .050 Wall Thickness <input type="checkbox"/> Other (Specify) _____ <input type="checkbox"/> None Required	SUBSTRATE <input type="checkbox"/> Wood <input type="checkbox"/> Concrete <input type="checkbox"/> Waterproof <input type="checkbox"/> Steel <input type="checkbox"/> Other (Specify) _____	FINISH <input type="checkbox"/> Brushed Stainless Steel <input type="checkbox"/> Polished Stainless Steel <input type="checkbox"/> Powder Coated <input type="checkbox"/> Custom Specify _____	

LAYOUT GRID TO SKETCH DESIGN



C.R. LAURENCE COMPANY

crlaurence.com

288R | crlaurence.ca crlaurence.com.au crlaurence.co.uk crlaurence.de crlaurence.eu