

Glass Mounted Hand Rail Checklist:

OPTIONAL HAND RAIL

- 1-1/2" Diameter .050" Wall Thickness
- 1.66" O.D. 1-1/4" Schedule 40 .140" Wall Thickness
- 1.9" O.D. 1-1/2" Schedule 40 .145" Wall Thickness
- 2" Diameter .050" Wall Thickness
- Other (Specify) _____
- None Required

HAND RAIL END CAPS

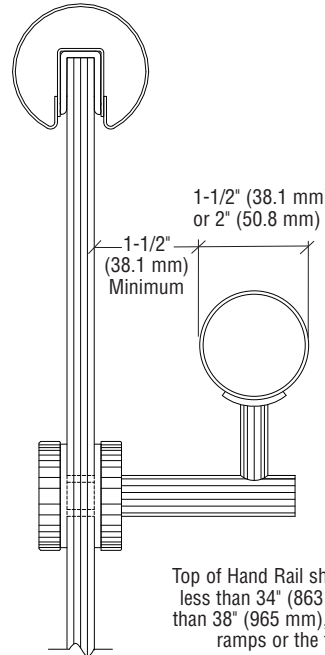
- Standard Applied Flat End Caps
- Standard Applied Dome End Caps
- Stabilizing Wall Mount Flat End Caps
- Welded Flat End Caps
- Custom Angle End Caps (Specify) _____

FINISH

- Brushed Stainless Steel
- Polished Stainless Steel
- Satin Brass
- Polished Brass
- Powder Coated Aluminum
- Mill Finish
- Wood (Specify Type) _____
- Custom (Specify) _____

OPTIONAL HAND RAIL GLASS BRACKETS

- Standard Glass Mounted Hand Rail Brackets
- 2-Way Adjustable Glass Mounted Hand Rail Brackets
- 3-Way Adjustable Glass Mounted Hand Rail Brackets



The hand grip portion of the Hand Rails shall not be less than 1-1/4" (31.7 mm), and no more than 2" (50.8 mm) in cross sectional dimension.

NOTE: Codes vary from region to region. Review local building codes for handrail code requirements before ordering.

Top of Hand Rail shall not be placed less than 34" (863 mm), nor more than 38" (965 mm), above landings, ramps or the toe of step.

LAYOUT GRID TO SKETCH DESIGN

