



Quote/Order Request Form

C.R. Laurence Co.

Company Name _____

Contact _____

Job Name _____

Fax Completed Checklist to C.R. Laurence Technical Sales at (800) 587-7501 in the U.S., or (323) 584-5289 (Canada and International). Then call to discuss: (800) 421-6144 (U.S.), (877) 421-6144 (Canada), or (323) 588-1281 (International). Ask for Extension 7730. This form is also available online at crlaurence.com.

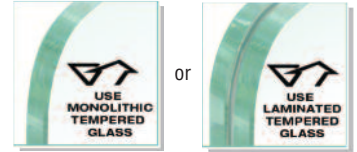
Phone # _____

Fax # _____

Date _____

Important: Depending on the complexity of your project, one or more of the following may be required to accurately order: sketches or drawings of your particular application with dimensions; printed architectural drawings or cad files; photos of the job site conditions (digital images are preferable).

Stairway applications will require additional layout information. See typical layout drawing on page 240R that needs to be filled out at time of order. **NOTE:** A final sign off is required prior to any custom fabrication.



Glass Railing System Checklist Area:

GLASS RAILING STYLE

- Glass Rail System with Cap Rail
- Glass Rail System with Hand Rail Only
- Glass Rail System with Cap Rail and Hand Rail

GLASS RAILING HEIGHT

- 36" (914 mm)
- 42" (1067 mm)
- Other (Specify) _____

CAP RAIL SIZE

- 1-1/2" (38.1 mm)
- 2" (50.8 mm)
- 2-1/2" (63.5 mm)
- 3" (76.2 mm)
- 3-1/2" (88.9 mm)
- 4" (101.6 mm)
- Other (Specify) _____

CAP RAIL PROFILE

- Round Profile Cap Rail
- Oval Profile Cap Rail
- Square Profile Cap Rail
- Other (Specify) _____

GLASS THICKNESS

- 1/2" (12 mm) Monolithic Tempered Glass
- 5/8" (15 mm) Monolithic Tempered Glass
- 3/4" (19 mm) Monolithic Tempered Glass
- 9/16" (13.52 mm) Laminated Tempered Glass
- 11/16" (17.52 mm) Laminated Tempered Glass
- 27/32" (21.52 mm) Laminated Tempered Glass
- 1-1/16" (25.52 mm) Laminated Tempered Glass (Glass not supplied by CRL)

FINISH

- Brushed Stainless Steel
- Polished Stainless Steel
- Polished Brass
- Satin Brass
- Wood (Specify Type) _____
- Custom Powder Coated Aluminum
- Custom (Specify) _____

GLAZING METHOD

- Dry Glazed with TAPER-LOC™ Tapers
- Wet Glazed with Kwixset® Expansion Cement

GLASS RAILING END CAPS

- Standard Applied Flat End Caps
- Stabilizing Wall Mount Flat End Caps
- Welded Flat End Caps
- Flat Wood End Caps (Specify) _____
- Dome Wood End Caps (Specify) _____
- Other (Specify) _____

FLOOR SHIM/DRAIN BLOCKS

- Drain Blocks 1/2" (12.7 mm) Tall
- Weld Blocks (for Steel) 3/8" (9.5 mm) Tall
- None Required

BASE SHOE DRILLING

- Standard Drilling 12" (305 mm) on Center
- Standard Drilling 6" (152 mm) on Center
- Custom (Specify) _____

PRICE IN STOCK LENGTHS OR FABRICATED

- Stock Lengths
- Fabricated (Cut to Size by CRL)

ATTACHMENT/MOUNTING

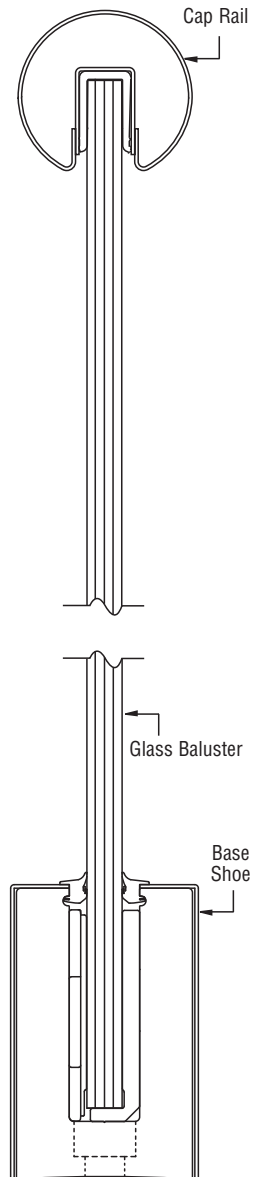
- Surface Mount (Top of Substrate)
- Embedded in Concrete Mount (Flush Set)
- Fascia Mount (Side Mounted)
- Other (Specify) _____

SUBSTRATE

- Concrete
- Steel
- Other (Specify) _____

FLOOR CONDITION

- Flat
- Sloped _____ Degrees



Date: _____ Company Name: _____ Your Name: _____

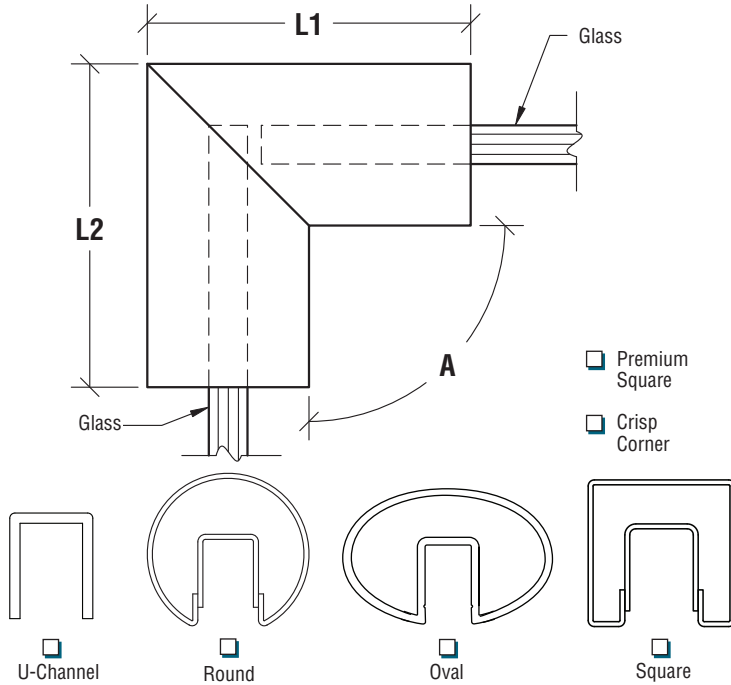
Phone #: _____ P.O. # (If Ordering): _____ Project Name: _____

Quantity: _____ Cap Rail Size: _____ Glass Thickness: _____ Finish: _____

For pricing or ordering assistance contact CRL Technical Sales at (800) 421-6144 in the U.S., (877) 421-6144 from Canada, or (323) 588-1281 International. Ask for Extension 7730. You may also fax this form to CRL Technical Sales at (800) 587-7501 in the U.S., or (323) 584-5289 (Canada or International).

Horizontal Custom Corner Order Sheet

Plan View of Cap Rail With Long Point Dimensions



Specify Inches or Millimeters

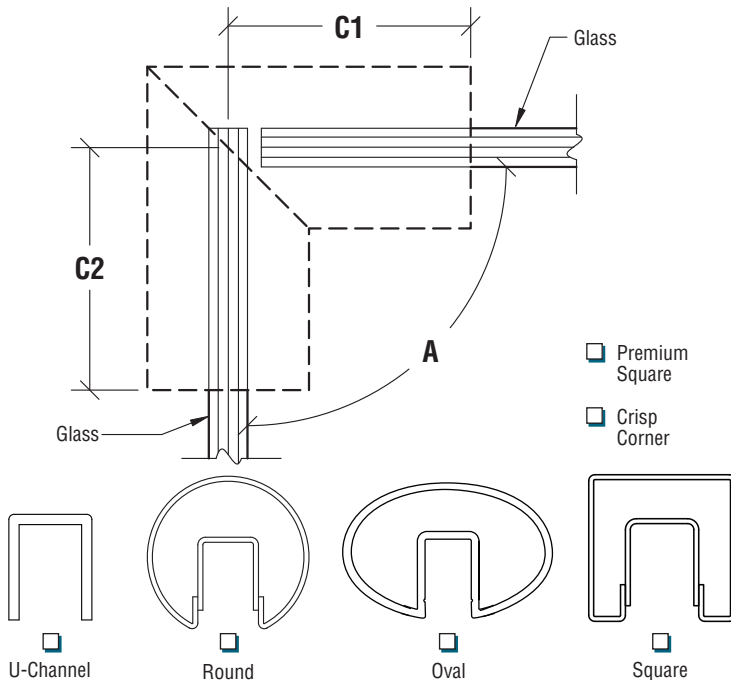
Long Point of Cap Rail L1= _____

Long Point of Cap Rail L2= _____

Inside Angle A= _____

Notes: _____

Plan View of Center Line Glass Dimensions



Specify Inches or Millimeters

Center of Line of Glass C1= _____

Center of Line of Glass C2= _____

Inside Angle A= _____

Notes: _____

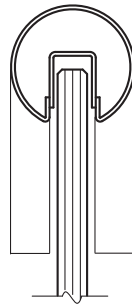
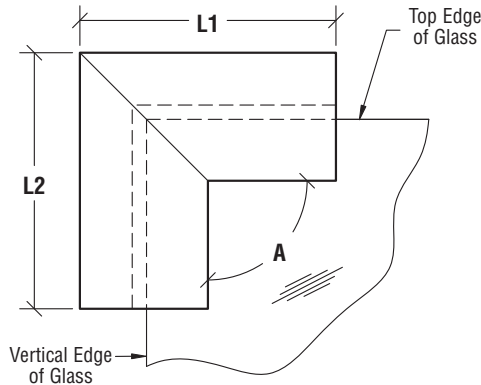
Date: _____ Company Name: _____ Your Name: _____

Phone #: _____ P.O. # (If Ordering): _____ Project Name: _____

Quantity: _____ Cap Rail Size: _____ Glass Thickness: _____ Finish: _____

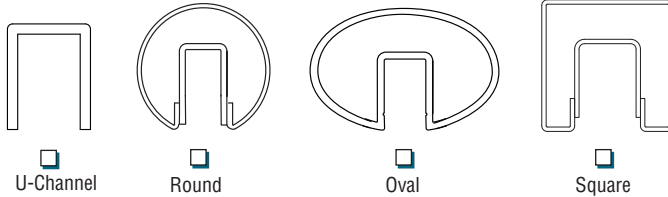
For pricing or ordering assistance contact CRL Technical Sales at (800) 421-6144 in the U.S., (877) 421-6144 from Canada, or (323) 588-1281 International. Ask for Extension 7730. You may also fax this form to CRL Technical Sales at (800) 587-7501 in the U.S., or (323) 584-5289 (Canada or International). **NOTE:** A final sign off is required prior to any custom fabrication.

Vertical Custom Corner Order Sheet



- Premium Square
- Crisp Corner

Select Cap Profile



Elevation of Cap Rail With Long Point Dimensions

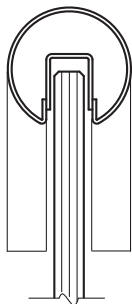
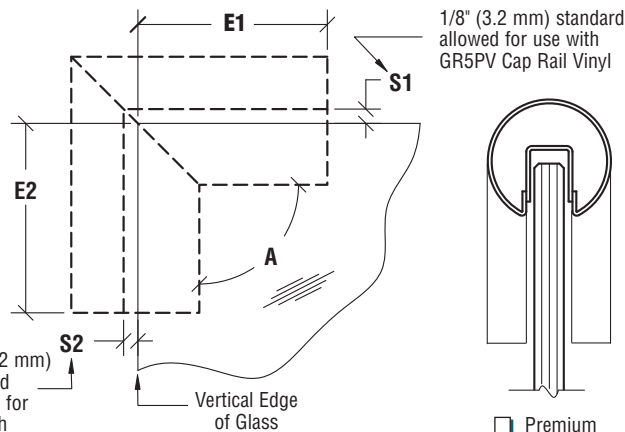
Specify Inches or Millimeters

Long Point of Cap Rail L1= _____

Long Point of Cap Rail L2= _____

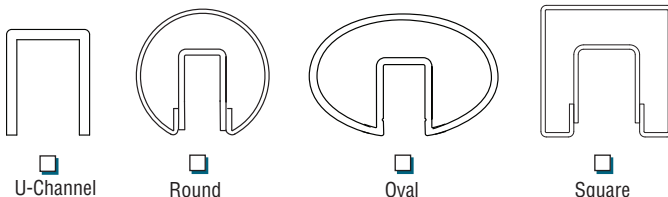
Inside Angle A= _____

Notes: _____



- Premium Square
- Crisp Corner

Select Cap Profile



Elevation of Cap Rail With Edge of Glass Dimensions

Specify Inches or Millimeters

End of Glass to End of Cap Rail E1= _____

End of Glass to End of Cap Rail E2= _____

Shim Space S1= _____

Shim Space S2= _____

Inside Angle A= _____

Notes: _____

Practice Methods for Measuring Stairways

When measuring an existing stairway for CRL's Glass Railing System please keep in mind the importance of every measurement that is needed to produce the required railing system. Measure every dimension that is indicated below to ensure your railing system is produced correctly. **Important:** Depending on the complexity of your project, one or more of the following may be required to accurately order: sketches or drawings of your particular application with dimensions; printed architectural drawings or cad files; photos of the job site conditions (digital images are preferable).

Style #1

Measuring Curb Mount/Stringer Mount Stairways

REQUIRED TOOLS
 TAPE MEASURE
 SQUARE
 PLUMB LINE
 LASER LEVEL
 SKETCH PAD
 ANGLE FINDER

Field Measure and Specify Each Required Dimension From the Key Below.

A= _____
 B= _____
 C= _____
 D= _____
 E= _____
 F= _____
 G= _____
 H= _____
 J= _____
 K= _____
 Stair Angle= _____

Style #2

Measuring Extended Curb Mount/Extended Stringer Mount Stairways

Field Measure and Specify Each Required Dimension From the Key Below.

A= _____
 B= _____
 C= _____
 D= _____
 E= _____
 F= _____
 G= _____
 H= _____
 J= _____
 K= _____
 Stair Angle= _____

CRL STRETCH AND ROLL FORMING SERVICES

For Pricing Visit Our Web Site or Call Us Toll Free at the Phone Numbers Shown on the Back Cover



Custom Bending Quote/Order Request Form

new

Fax Completed Checklist to C.R. Laurence Technical Sales at (800) 587-7501 in the U.S., or (323) 584-5289 (Canada and International). Then call to discuss: (800) 421-6144 (U.S.), (877) 421-6144 (Canada), or (323) 588-1281 (International). Ask for Extension 7730. This form is also available online at crlaurence.com.

Company Name _____

Phone # _____

Contact _____

Fax # _____

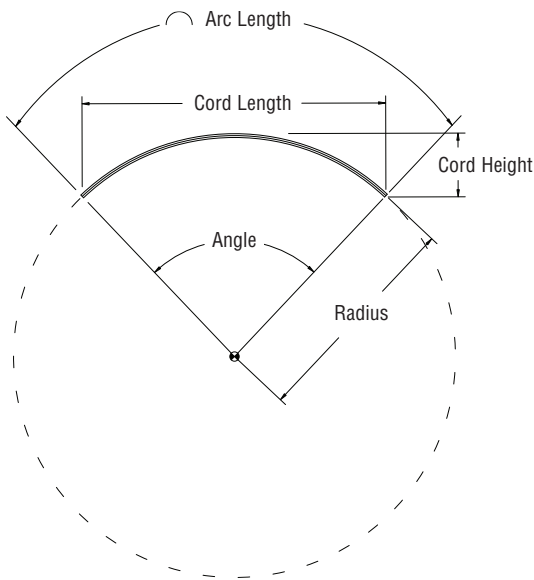
Job Name _____

Date _____

When you are ready to order, utilize this form to assist you in covering the details required to stretch form or roll form Cap Rail, Hand Rail, Base Shoe, and Base Shoe Cladding. Going through the exercise should prevent you from overlooking any details related to your installation.

Just a Few of the Products CRL Manufacturing Can Bend

- Cap Rails, Hand Rails, Base Shoes, and Cladding
- Channels and Structural Steel
- Architectural Metals and Metal Panels



HOW TO ORDER:

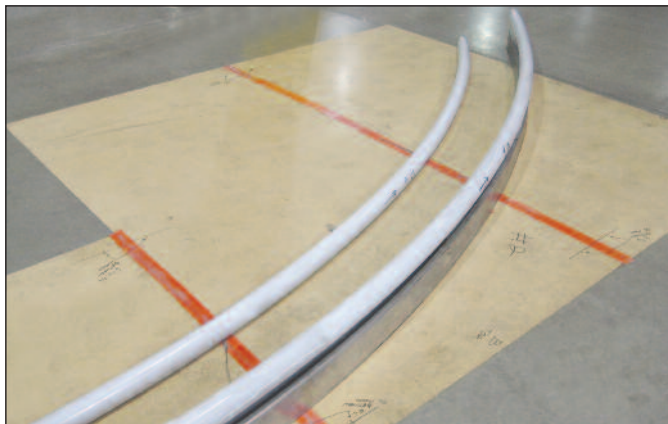
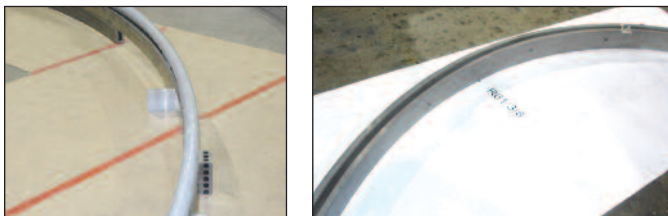
Field measure and/or specify each required dimension from the drawing to the left using center line dimensions. Remember all bent products will be shipped in long lengths and will need to be field fabricated to exact size by the customer. Below are the different measurements CRL looks for when placing orders.

- Usable Arc Length
- Center Line Cord Length
- Center Line Cord Height
- Center Line Radius
- Angle

CRL's Bent Railing Products are manufactured within acceptable industry tolerances, plus or minus 1/4" (6.3 mm) of the specified center line radius or shape. All bent products will be shipped in long lengths and will need to be field fabricated to exact size by the installer. If templates are sent in, they must be clearly marked where the center line of product is located. No paper templates will be accepted. If templates are required make sure they are made from plywood and or hardboard (Masonite) with the critical center line dimension points.

For GRS Glass Railing System applications, CRL highly recommends installing the base shoe first before ordering glass. If the glass is ordered at the same time the shoe is, the installer can run the risk that the glass may not fit the base shoe properly due to conflicts in tolerances.

IMPORTANT: Depending on the complexity of your project, one or more of the following may be required: sketches or drawings (with dimensions) of your particular application; printed architectural drawings or CAD files; photos (preferably digital) of job site conditions. **NOTE:** A final sign off is required prior to any custom fabrication. This form is also available online at crlaurence.com.



C.R. LAURENCE COMPANY

crlaurence.com

236R | crlaurence.ca crlaurence.com.au crlaurence.co.uk crlaurence.de crlaurence.eu



Custom Bending Quote/Order Request Form

new

Company Name _____
 Contact _____
 Job Name _____

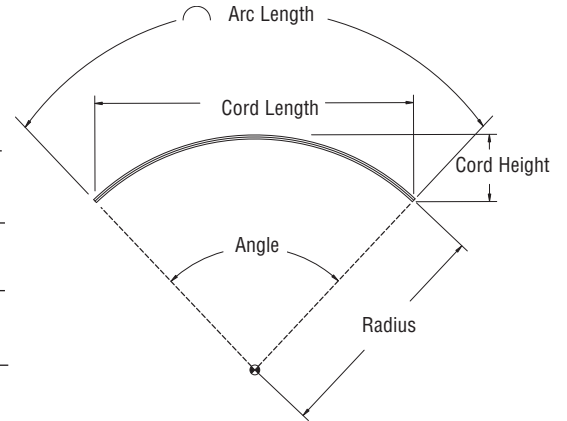
Phone # _____
 Fax # _____
 Date _____

When you are ready to order, utilize this form to assist you in covering the details required to stretch form or roll form Cap Rail, Hand Rail, Base Shoe and Base Shoe Cladding. Going through the exercise should prevent you from overlooking any details related to your installation.

IMPORTANT: Depending on the complexity of your project, one or more of the following may be required: sketches or drawings (with dimensions) of your particular application; printed architectural drawings or CAD files; photos (preferably digital) of job site conditions. **NOTE:** A final sign off is required prior to any custom fabrication. This form is also available online at crlaurence.com.

Fax Completed Checklist to C.R. Laurence Technical Sales at (800) 587-7501 in the U.S., or (323) 584-5289 (Canada and International). Then call to discuss: (800) 421-6144 (U.S.), (877) 421-6144 (Canada), or (323) 588-1281 (International). Ask for Extension 7730. This form is also available online at crlaurence.com.

Quantity: _____ Center Line Cord Length: _____
 Catalog Number: _____ Center Line Cord Height: _____
 Finish: _____ Center Line Radius: _____
 Angle: _____ Usable Arc Length: _____



Layout Grid to Sketch Design

Layout Grid to Sketch Design	



This Base Shoe Quote/Order Checklist is designed to assist you in covering the details required to complete a Base Shoe installation. Mark the boxes in the Checklist Area that apply to your installation. Going through this exercise should prevent you from overlooking any details related to your installation, and assist you in making your product selections. The Product Selection Area is where you can actually write down the complete catalog numbers of the products you have selected.

IMPORTANT: Depending on the complexity of your project, one or more of the following may be required to accurately quote: sketches or drawings of your particular application with dimensions; printed architectural drawings or CAD files; photos of job site conditions (digital images are preferable). **NOTE:** A final sign off is required prior to any custom fabrication.

Date: _____ Company Name: _____ Phone #: _____

Project Name: _____ Your Name: _____

Checklist Area:

1 Type of Attachment: (See pages 160R to 161R)

- Base Shoe to Concrete
- Base Shoe to Weld Block
- Base Shoe to Steel Channel or Angle
- Base Shoe Embedded in Concrete (Flush Set)
- Base Shoe to Steel Embedment Strip

2 Attachment Fasteners and Accessories: (See pages 164R to 167R)

- Wedge-Bolt Anchors and Washers (for Concrete)
- 1/2"-13 Socket Head Cap Screws (for Steel)
- HSL3 Expansion Anchors (for Concrete)
- Hex Head Cap Screws
- Weld Blocks (for Steel) Drain Blocks
- Nylon Allen Screws (Protects Steel Embedment Threads)

3 Style of Base Shoe and Glass Securing Method: (See pages 128R to 159R)

- L56S Series Square for 9/16" (13.52 mm) Laminated Tempered Glass
- L68S Series Square for 11/16" (17.52 mm) Laminated Tempered Glass
- L21S Series Square for 27/32" (21.52 mm) Laminated Tempered Glass
- L25S Series Square for 1-1/16" (25.52 mm) Laminated Tempered Glass
- B6S Series Square for 15 mm Monolithic Tempered Glass
- B5A SurfaceMate Series Square for 1/2" (12 mm) Monolithic Tempered Glass
- B5S Series Square for 1/2" (12 mm) Monolithic Tempered Glass
- B5S Series Square for 5/8" (16 mm) Monolithic Tempered Glass
- B5T Series Tapered for 1/2" (12 mm) Monolithic Tempered Glass
- B5T Series Tapered for 5/8" (16 mm) Monolithic Tempered Glass
- B5L Series Square for 1/2" (12 mm) Monolithic Tempered Glass
- B5L Series Square for 5/8" (16 mm) Monolithic Tempered Glass
- B7S Series Square for 3/4" (19 mm) Monolithic Tempered Glass
- RG200 Series Two Piece for 1/2" (12 mm) Monolithic Tempered Glass
- RG450 Series Fascia Mount Two Piece for 1/2" (12 mm) Monolithic Tempered Glass
- RG500 Series Two Piece for 3/4" (19 mm) Monolithic Tempered Glass
- RG650 Series Fascia Mount Two Piece for 3/4" (19 mm) Monolithic Tempered Glass

Base Shoe Length:

- 120" (3.05 m) 240" (6.10 m)
- Custom Length (Cuts, L.H. Miter or R.H. Miter)

4 Glass Securing Accessories: (See pages 103R to 124R)

- TAPER-LOC™ Dry Glaze 1/2" and 3/4" (12 and 19 mm) Monolithic Tempered Glass
- TAPER-LOC™ Dry Glaze 3/8" (10 mm) Monolithic Tempered Glass
- TAPER-LOC™ Dry Glaze 27/32" and 1-1/16" (21.52 and 25.52 mm) Laminated Tempered Glass
- TAPER-LOC™ Dry Glaze 9/16" (13.52 mm) Laminated Tempered Glass
- TAPER-LOC™ Dry Glaze 11/16" (17.52 mm) Laminated Tempered Glass
- Wet Glaze 1/2" (12 mm) Setting and Centering Blocks
- Wet Glaze 5/8" (16 mm) Setting and Centering Blocks
- Wet Glaze 3/4" (19 mm) Setting and Centering Blocks
- 1/4" (6 mm) Spacing and Sealing Pads for 1/2" (12 mm) Glass
- 1/4" (6 mm) Spacing and Sealing Pads for 3/4" (19 mm) Glass
- 1/4" (6 mm) Rigid Rubber Spacing Blocks for 1/2" (12 mm) Glass
- 1/4" (6 mm) Rigid Rubber Spacing Blocks for 3/4" (19 mm) Glass
- Base Shoe Gasket [for 1/2" (12 mm) and 3/4" (19 mm) Glass Only]
- Expanding Cement

5 Cladding Required: (See pages 130R to 159R)

- Yes No

Stock Finish:

- Brushed Stainless Steel US32D
- Polished Stainless Steel US32
- Polished Brass US3
- Satin Brass US4
- Satin Anodized US28
- Dark Bronze Anodized 313

Custom Finish:

Cladding Length:

- 120" (3.05 m) Stock Length
- Custom Length up to 168" (4.26 m) (Cuts, L.H. Miter or R.H. Miter)

Cladding Accessories: (See pages 133R to 159R)

- End Caps
- Mitered Corner Sets
- Welded End Caps
- Cladding Securing Tape
- Cladding Securing Silicone Sealant

Base Shoe Hole Fabrication:

- No Fabrication Drill and Counter Bore on 12" (305 mm) Centers
- Drill and Counter Bore on 6" (152 mm) Centers
- Other _____

Product Selection: (Fill in Appropriate Areas for All Products That Will Be Required for the Job)

PRODUCT	CAT. NO.	QTY.	PRODUCT	CAT. NO.	QTY.
Base Shoe _____			Cladding Stock Lengths _____		
TAPER-LOC™ Sets _____			End Caps _____		
Expanding Cement _____			Corners _____		
Setting/Centering Blocks _____			Fasteners _____		
Spacing/Sealing Pads _____			Tape _____		
Rigid Rubber Spacers _____			Silicone Sealant _____		
Base Shoe Gasket _____			Installation Tools _____		