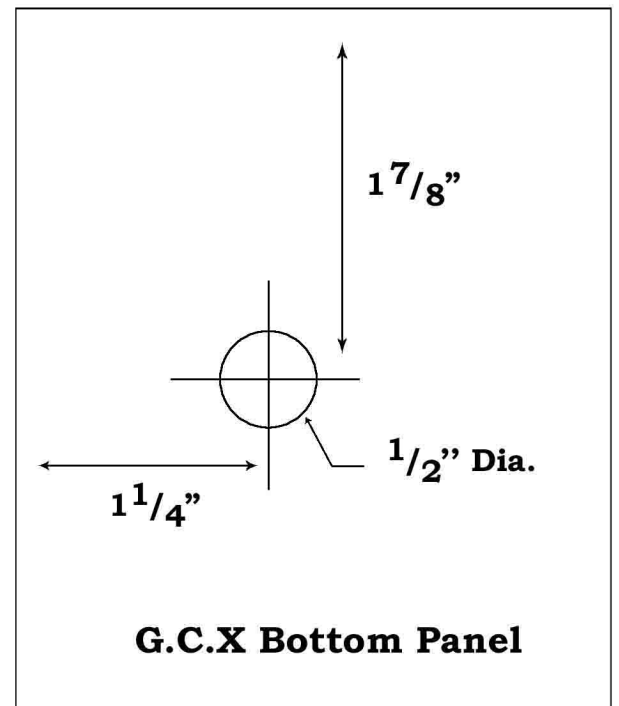
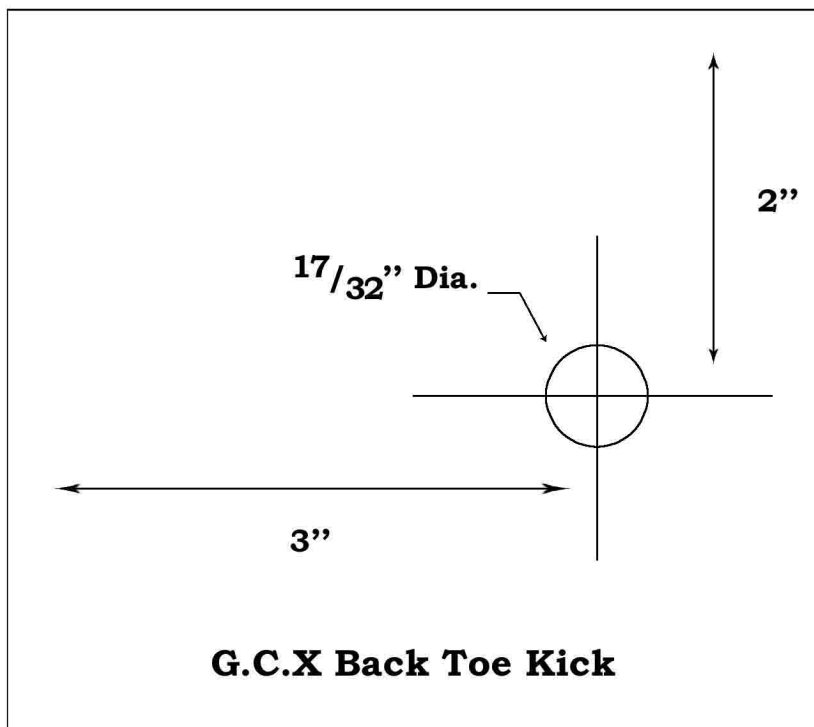
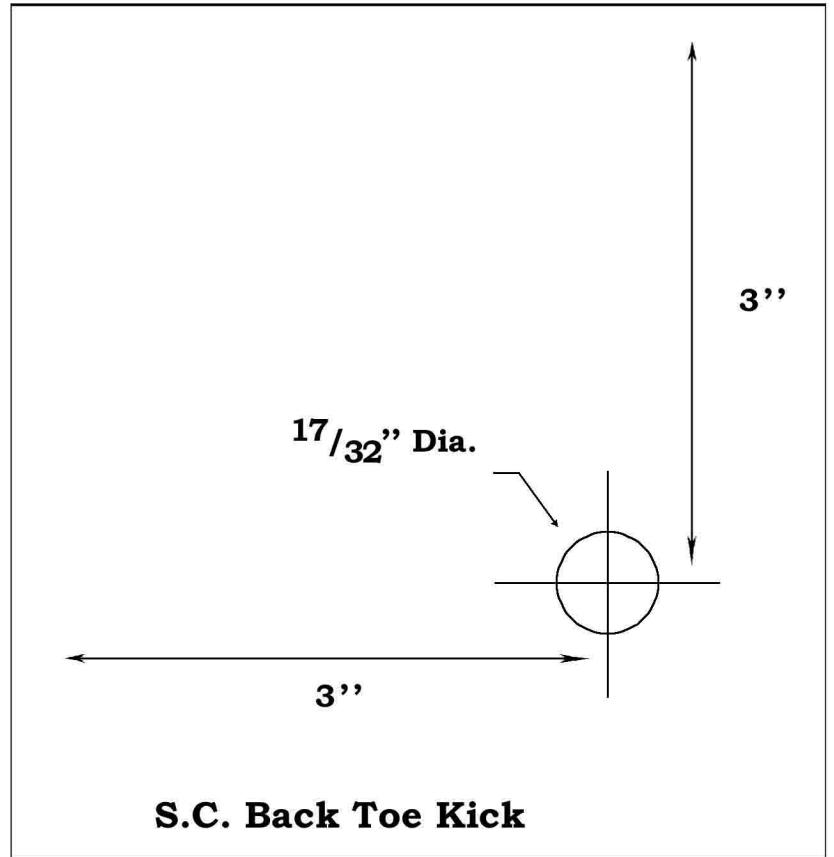
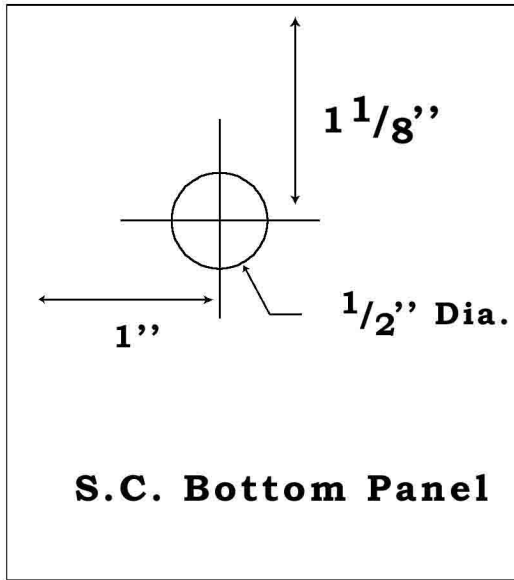


DOWN TUBE HOLE & WIRE OUTLET DIAGRAM



T5 LIGHT FIXTURE INSTALL INSTRUCTION



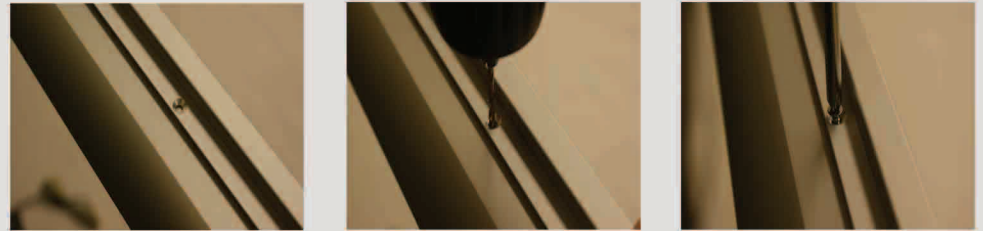
TOOLS NEEDED



1 MOUNT LIGHT FIXTURE ON TOP FRONT ALUMINUM EXTRUSION RAIL

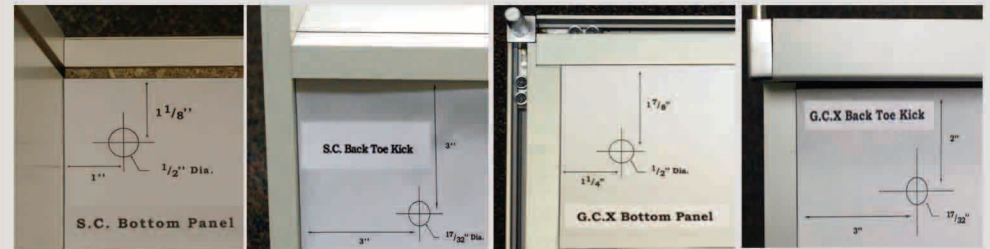
YP4014 (x3)
LIGHT FIXTURE (x1)
POSITION RING (x1)

- ATTACH T5 LIGHT FIXTURE UNDER TOP FRONT ALUMINUM RAIL
- DRILL 3/32" PILOT HOLE FOLLOW THROUGH THE HOLE ON TOP FRONT ALUMINUM RAIL
- TIE T5 LIGHT FIXTURE WITH ALUMINUM BY USING YP4014 SCREW



2 DRILL HOLES FOR DOWN TUBE AND WIRE OUTLET

- DRILL 1/2" Dia. HOLE ON BOTTOM PANEL. USE ATTACHED PRE-SKETCH DIAGRAM FOR EXACT LOCATION.
- DRILL 17/32" Dia. HOLE ON BACK TOE KICK PANEL FOR WIRE OULET. USE ATTACHED PRE-SKETCH DIAGRAM FOR EXACT LOCATION.

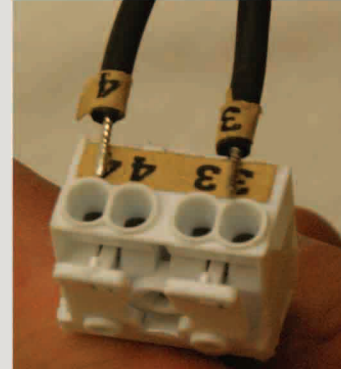
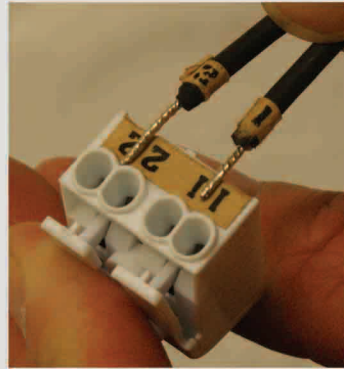
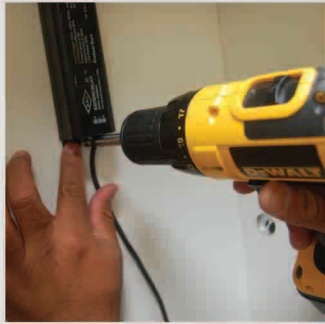


3

WIRE CONNECTION

- A. USE CONNECTOR TO CONNECT DOWN TUBE WITH FLEX TUBE.
- B. SCREW BALLAST AT PROPER LOCATION BY USING YN6034 SCREWS.
- C. CONNECT WIRE WITH BALLAST. MAKE SURE WIRE NUMBER MATCHES CONNECTOR NUMBER.
- D. PLACE FLEX TUBE AND CABLE AT PROPER POSITION BY USING CLAMPS AND YP6034 SCREWS.

CONNECTOR (x1)
FLEX TUBE (x1)
BALLAST (x1)
CLAMP (x3)
YP6034 (x5)



4

COMPLETE INSTALLATION

- A. TIE POSITION RING WITH PROPER POSITION.
- B. INSTALL WIRE OUTLET ON TOE KICK PANEL.

WIRE OUTLET (x1)

