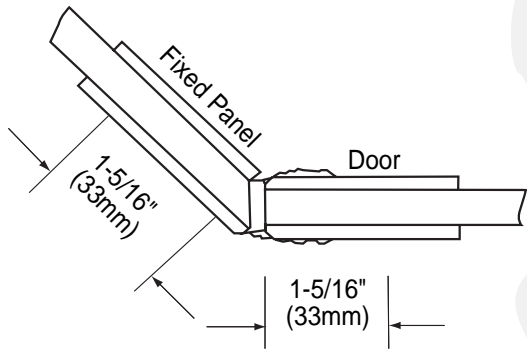
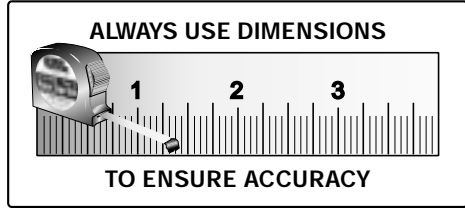


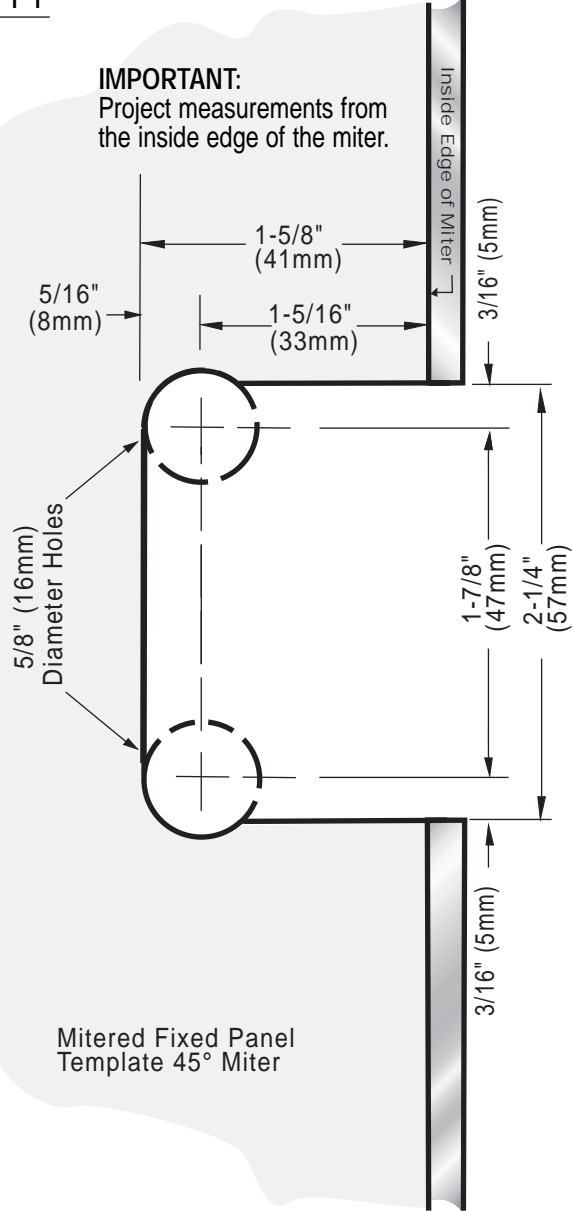


C.R. LAURENCE CO., INC.
PROFESSIONAL QUALITY



MILANO
 135° Glass-to-Glass Hinge
 CAT No. M1L045

IMPORTANT:
 Project measurements from the inside edge of the miter.



IMPORTANT:
 Project measurements from the edge of the glass.

