



C.R. LAURENCE CO., INC.
PROFESSIONAL QUALITY

Specifications:

Glass Sizes: 5/16" (8mm) to 3/8" (10mm) thick tempered safety glass

Construction: Stainless steel

Closing Type: Free-swinging

Two Holes Required (No Cutout)

Includes: Gaskets, screws and template

Use of Gaskets:

For 5/16" (8mm) Glass: Use one gasket on each side

For 3/8" (10mm) Glass: Use one gasket on each side

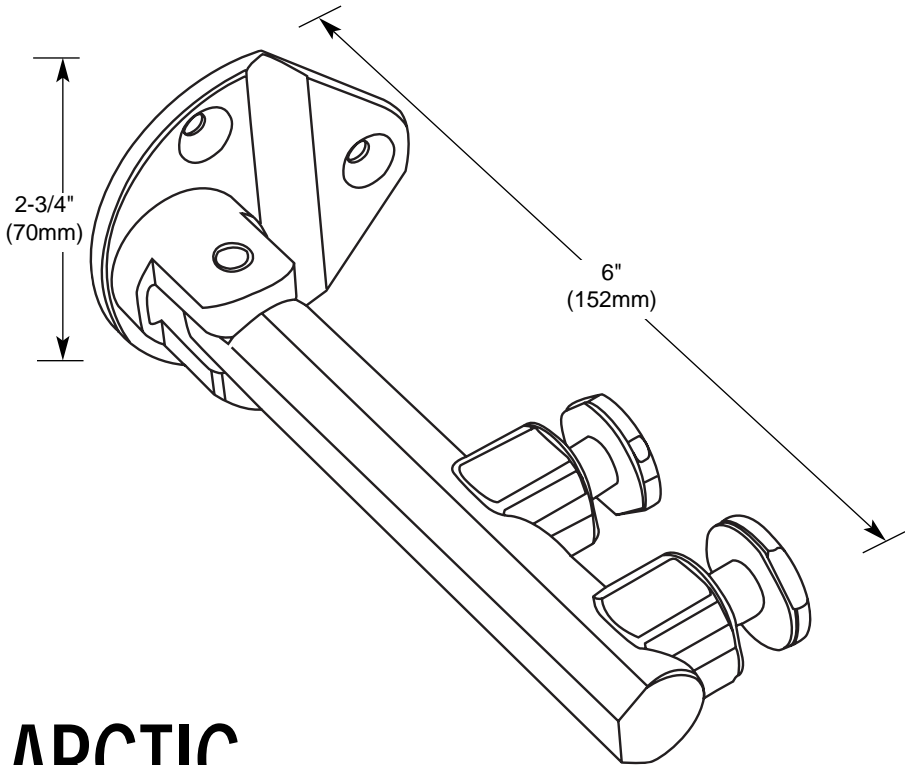
Recommendations:

For public safety, we recommend the use of only tempered safety glass.

Do not use power tools when installing these hinges.

Maintenance Guidelines:

- Never use an abrasive cleaner on the hardware. Many of the components are coated with a clear lacquer that will be irreparably damaged if subjected to harsh, abrasive chemicals. Advise your customer that drying the hardware with a clean, soft towel on a daily basis is the best way to maintain the hardware. If mineral deposits build-up, mix a couple of drops of a mild liquid soap (such as Ivory or a similar product) into a cup of warm water. Using a soft, non-abrasive cloth, clean the hardware. Rinse thoroughly with clean, warm water and dry.



ARCTIC

Wall Mount Outswing Hinge

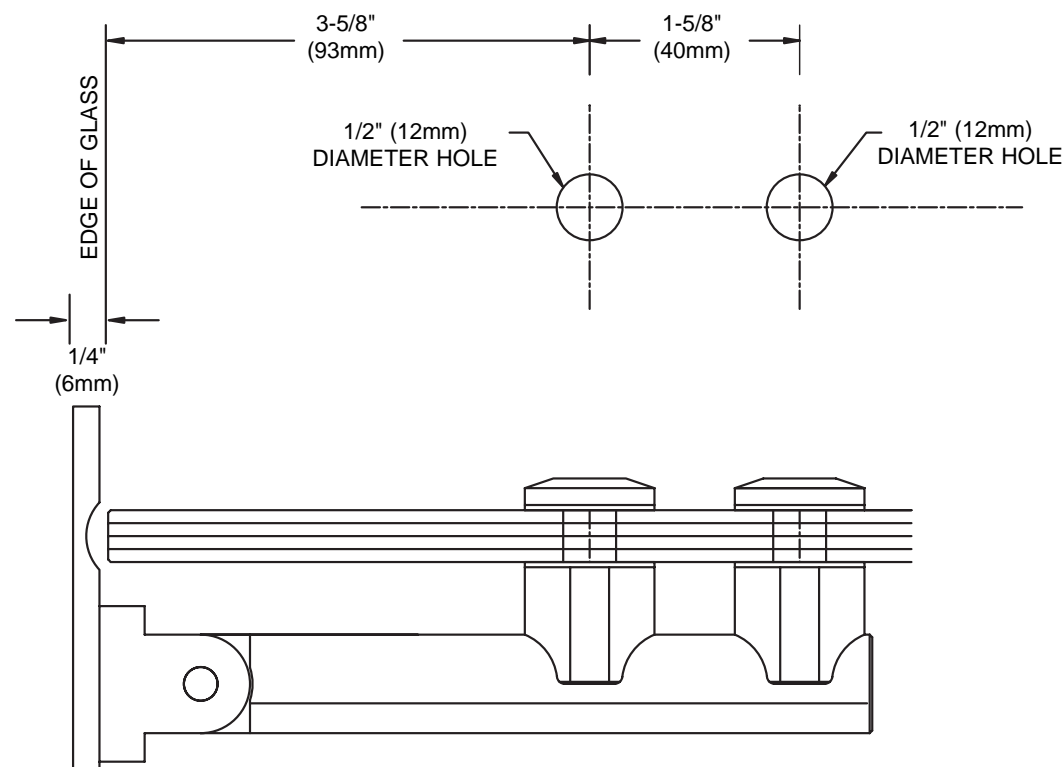
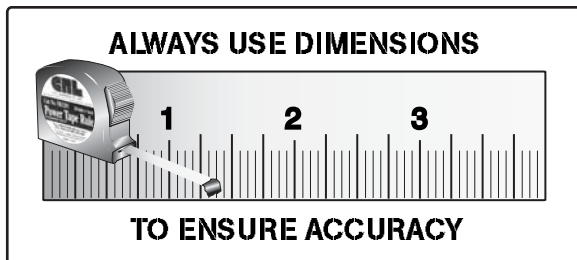
CAT No. ARC044

*Maximum Door Capacities	5/16" (8mm) Glass		3/8" (10mm) Glass	
	Weight	Width	Weight	Width
Using 2 Hinges	90 lbs.(40 kg)	36"(914mm)	90 lbs.(40 kg)	36"(914mm)
Using 3 Hinges	135 lbs.(61 kg)	36"(914mm)	135 lbs.(61 kg)	36"(914mm)

*NOTE: Do not exceed either maximum weight or width when choosing proper quantity of hinges.



C.R. LAURENCE CO., INC.
PROFESSIONAL QUALITY



Important Information:

Changing the angle alters the location of the holes to be drilled in the glass!
Before fabrication the glass to any other angle than what's shown, consult with C.R. Laurence's Technical Sales Department:
In the United States call (800) 421-6144; from Canada call (877) 421-6144;
Outside the U.S. and Canada call (323) 588-1281. Ask for extension 7740.

ARCTIC

Wall Mount Outswing Hinge

CAT No. ARC044