



C.R. LAURENCE CO., INC.
PROFESSIONAL QUALITY

Important Information:

The Junior Cathedral Series of Hinges are equipped with a dual degree pivot pin. The pivot pin is set by the manufacturer for normal door closing position. You have the option of altering the closing position of the door 5 degrees by utilizing the opposite side of the pivot pin, which has been pre-machined (see Section 3 for this procedure).

Specifications:

Glass Sizes: 1/4" (6mm) to 5/16" (8mm) thick tempered safety glass

Construction: Solid brass

Closing Type: Self-centering when within 15° of closed position

Cutout and Hole Required

Includes: Gaskets, screws and template

Use of Gaskets:

For 1/4" (6mm) Glass: Use one thick gasket on each side

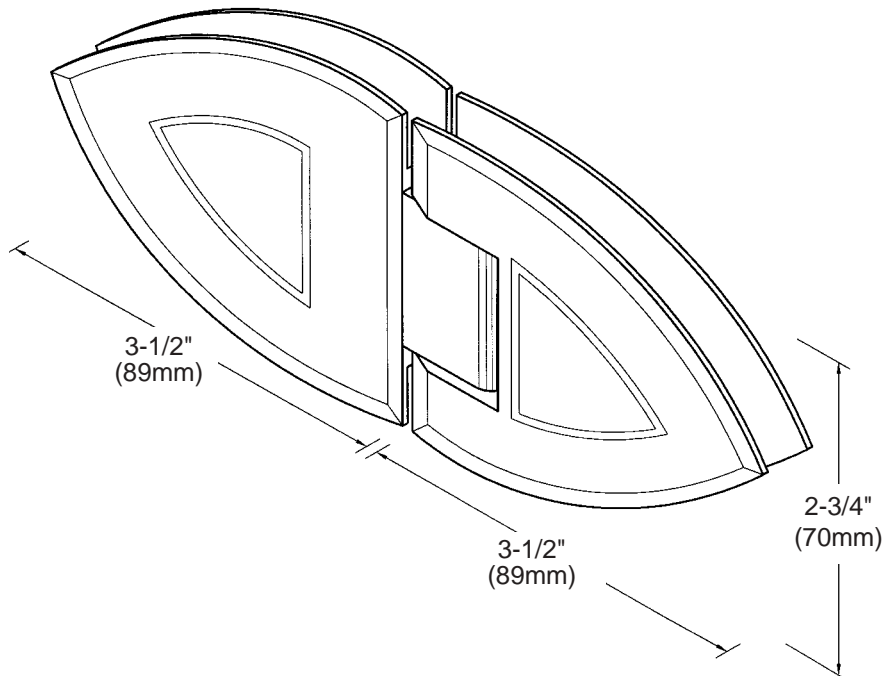
For 5/16" (8mm) Glass: Use one thin gasket on each side

Recommendations:

For public safety, we recommend the use of only tempered safety glass.
 Do not use power tools when installing these hinges.

Maintenance Guidelines:

- Our hinges are greased at the factory for quiet and trouble-free operation. If there is any squeaking that occurs after installation, put a drop of "3 in 1 Oil" (also known as "household oil") on the white nylon washer that the hinge body pivots on. This washer is the component that acts as a buffer, so the body of the hinge doesn't pivot directly on the brass center block. This solution doesn't require the disassembly of the hinge.
Note: Do not use spray lubricant on these hinges. If the hinge has been disassembled, upon re-assembly, use white lithium grease to lubricate the interior mechanism.
- Never use an abrasive cleaner on the hardware. Many of the components are coated with a clear lacquer that will be irreparably damaged if subjected to harsh, abrasive chemicals. Advise your customer that drying the hardware with a clean, soft towel on a daily basis is the best way to maintain the hardware. If mineral deposits build-up, mix a couple of drops of a mild liquid soap (such as Ivory or a similar product) into a cup of warm water. Using a soft, non-abrasive cloth, clean the hardware. Rinse thoroughly with clean, warm water and dry.



JUNIOR CATHEDRAL

180° Glass-to-Glass Hinge

CAT No. JRCAT180

*Maximum Door Capacities	1/4" (6mm) Glass		5/16" (8mm) Glass	
	Weight	Width	Weight	Width
Using 2 Hinges	62 lbs.(28 kg)	28"(711mm)	62 lbs.(28 kg)	28"(711mm)
Using 3 Hinges	92 lbs.(42 kg)	32"(813mm)	92 lbs.(42 kg)	32"(813mm)

*NOTE: Do not exceed either maximum weight or width when choosing proper quantity of hinges.