



## Important Information:

- 1)The Junior Cathedral Series of Hinges are equipped with a dual degree pivot pin. The pivot pin is set by the manufacturer for normal door closing position. You have the option of altering the closing position of the door 5 degrees by utilizing the opposite side of the pivot pin, which has been pre-machined (see Section 3 for this procedure).
- 2)The fixed panel measurements must be taken from the inside of the miter.

## Specifications:

**Glass Sizes:** 1/4" (6mm) to 5/16" (8mm) thick tempered safety glass

**Construction:** Solid brass

**Closing Type:** Self-centering when within 15° of closed position

**Cutout and Hole Required**

**Includes:** Gaskets, screws and template

## Use of Gaskets:

**For 1/4"(6mm) Glass:** Use one thick gasket on each side

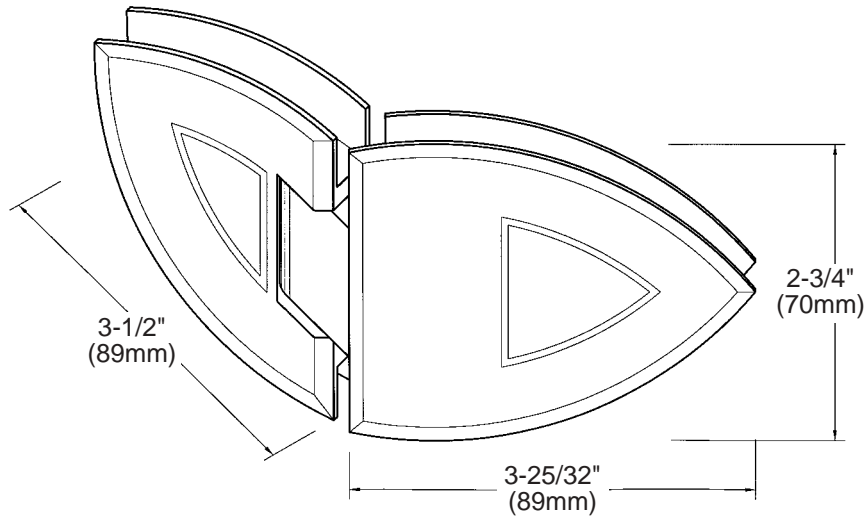
**For 5/16"(8mm) Glass:** Use one thin gasket on each side

## Recommendations:

For public safety, we recommend the use of only tempered safety glass.  
 Do not use power tools when installing these hinges.

## Maintenance Guidelines:

- Our hinges are greased at the factory for quiet and trouble-free operation. If there is any squeaking that occurs after installation, put a drop of "3 in 1 Oil" (also known as "household oil") on the white nylon washer that the hinge body pivots on. This washer is the component that acts as a buffer, so the body of the hinge doesn't pivot directly on the brass center block. This solution doesn't require the disassembly of the hinge.  
**Note: Do not use spray lubricant on these hinges.** If the hinge has been disassembled, upon re-assembly, use white lithium grease to lubricate the interior mechanism.
- Never use an abrasive cleaner on the hardware. Many of the components are coated with a clear lacquer that will be irreparably damaged if subjected to harsh, abrasive chemicals. Advise your customer that drying the hardware with a clean, soft towel on a daily basis is the best way to maintain the hardware. If mineral deposits build-up, mix a couple of drops of a mild liquid soap (such as Ivory or a similar product) into a cup of warm water. Using a soft, non-abrasive cloth, clean the hardware. Rinse thoroughly with clean, warm water and dry.



(This hinge requires two different templates, one for the door and one for the mitered fixed panel)

# JUNIOR CATHEDRAL

## 135° Glass-to-Glass Hinge

### CAT No. JRCAT045

*Maximum Door Capacities	1/4" (6mm) Glass		5/16" (8mm) Glass	
	Weight	Width	Weight	Width
Using 2 Hinges	62 lbs.(28 kg)	28"(711mm)	62 lbs.(28 kg)	28"(711mm)
Using 3 Hinges	92 lbs.(42 kg)	32"(813mm)	92 lbs.(42 kg)	32"(813mm)

\*NOTE: Do not exceed either maximum weight or width when choosing proper quantity of hinges.