



C.R. LAURENCE CO., INC.
PROFESSIONAL QUALITY

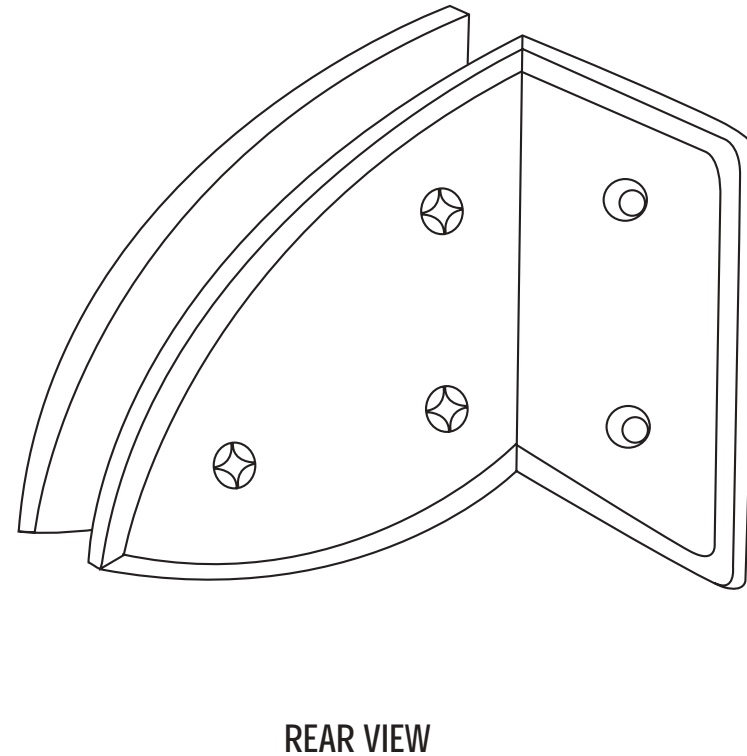
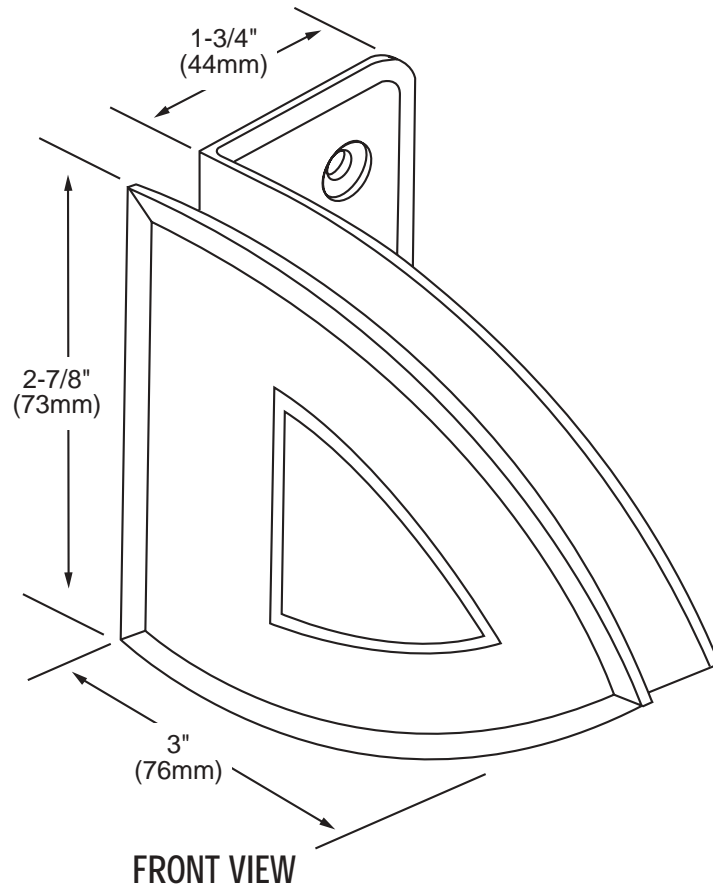
Specifications:

Material: Solid Brass

Glass Thickness: 1/4" (6mm) to 5/16" (8mm)

Hole Size Required: 5/8" (16mm) and Notch

Includes: Mounting screws and gaskets



GLASS CLAMPS

Junior Cathedral Wall Bracket

CAT No. JRCA90S

4Y-29

C.R. Laurence Corporate Headquarters: P.O. Box 58923 Los Angeles, CA 90058-0923; Toll Free Phone (800) 421-6144, Technical Assistance/Extension 777; Toll Free Fax (800) 587-7501

© Copyright 2001, C.R. Laurence Co., Inc.