

# **CRL TOP HUNG SLIDING DOORS**

## **Door Installation Manual**

**IMPORTANT: PLEASE READ BEFORE INSTALLATION**

**The following instructions will reduce your chances of experiencing problems during installation, and ensure smooth, trouble-free operation of the product**

## **CONTENTS**

Introduction	page 2
Configurations	page 3
Sliding Head Track Installation	page 4
Sidelite Narrow Header Installation	page 4
Bottom Sliding Track Installation	page 5
Bottom Sidelite Rail Installation	page 5
Sliding Door Leaf Assembly	page 6
Sliding Door Leaf Installation	page 7
Sidelite Installation	page 8
Final Assembly	page 9

## **Introduction**

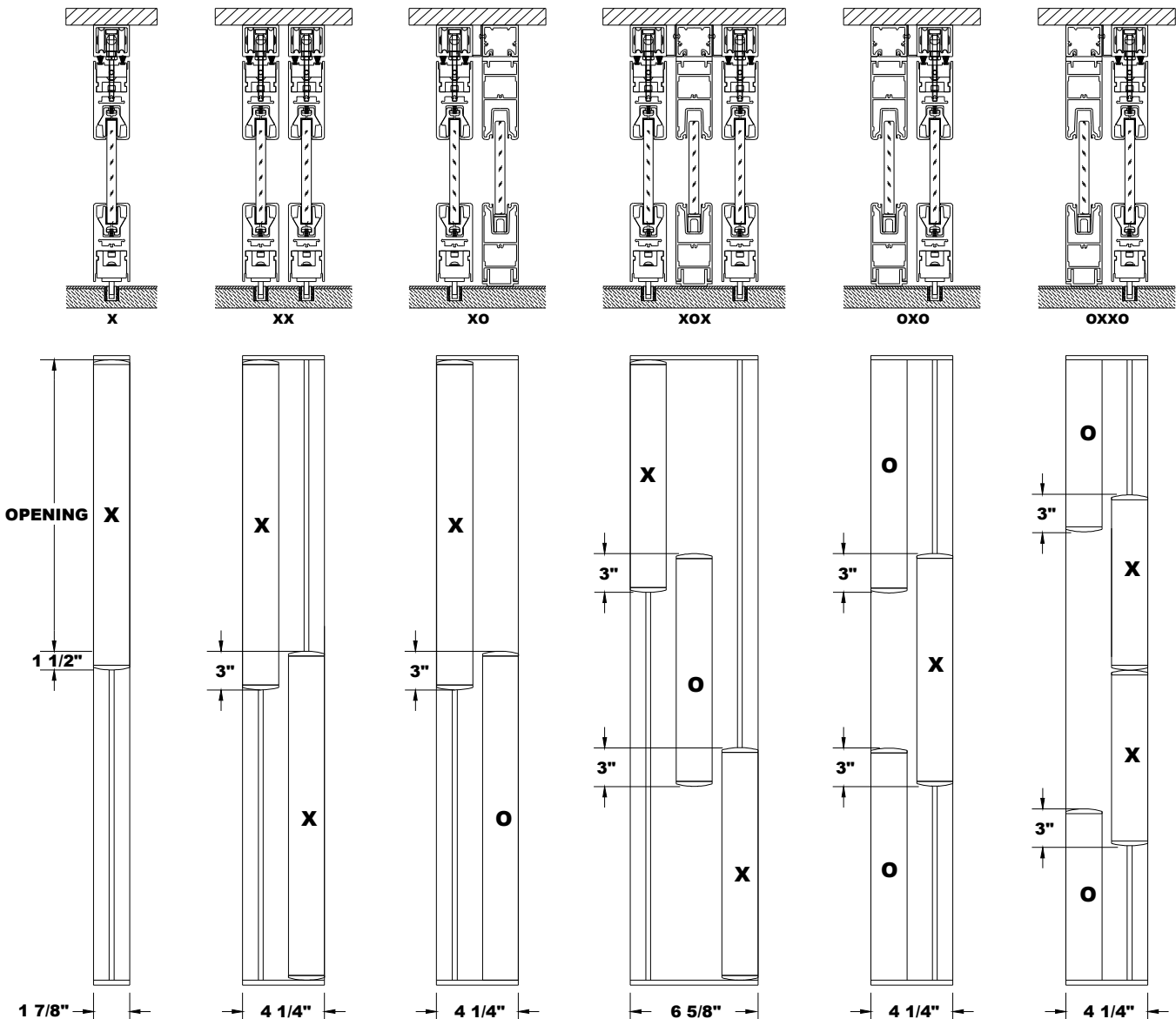
Congratulations on your selection of the CRL Top Hung Sliding Door System. This system has been designed to work in a variety of different applications. Ease of installation and adjustment for height and alignment by incorporating all the features of the CRL Wedge-Lock Door Rail System make this the best choice you can make in Overhead Track Doors.

By following the instructions in this manual, we believe you will experience a trouble free installation of the system.

Should you have any question about this system or any other CRL products, please contact us at (800) 421-6144 or visit our website at [www.crlaurence.com](http://www.crlaurence.com).

## Configurations

Styles can be X, XX single track, XX double track, XO, XOx, OXO, OXXO  
 The maximum width of each sliding panel must not exceed 72" (1829mm). Minimum sliding panel width is 15" (381mm). Maximum weight per sliding panel not to exceed 225 lbs. (102kg).



## Head Installation

### SLIDING HEAD TRACK

The Sliding Head Track Assembly is packed complete with Roller Assemblies and Stop Blocks installed. Do not remove them.

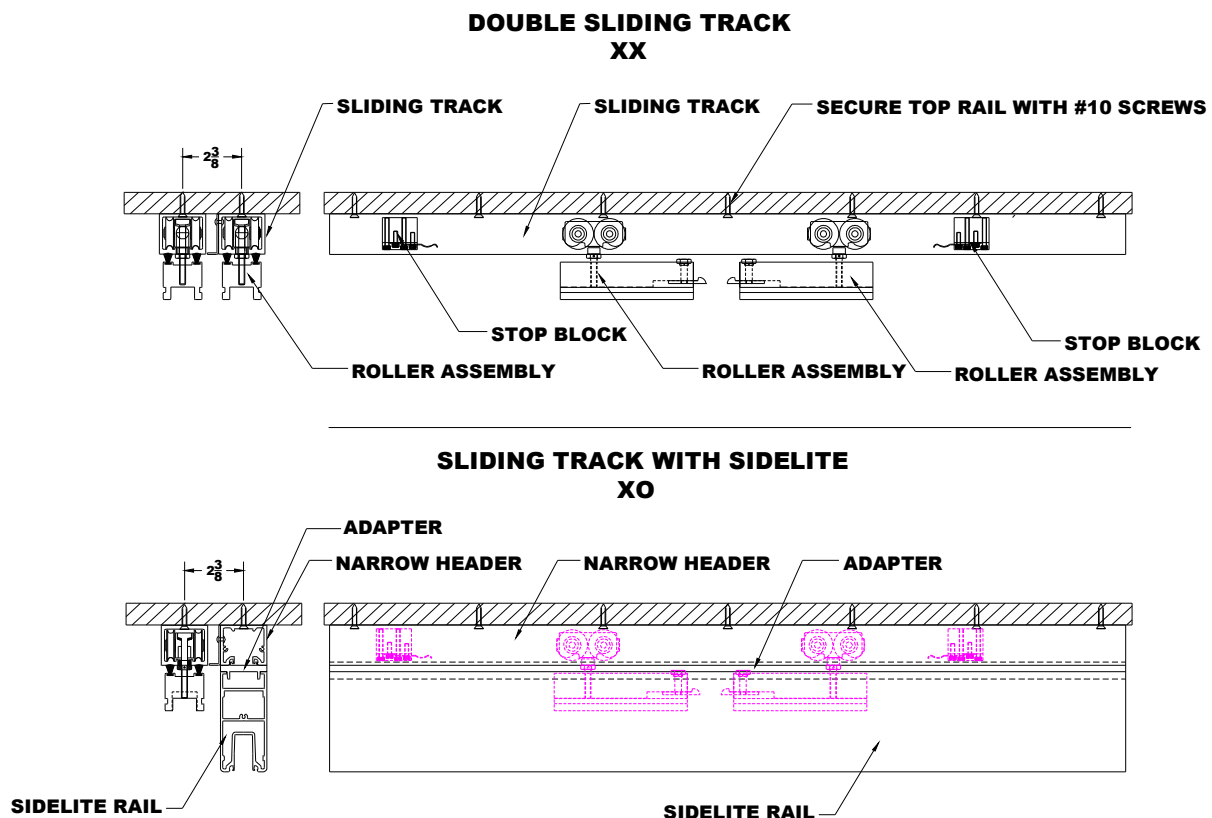
Secure the Head Track into the top opening with #10 screws (not provided) through the pre-drilled holes. Screw lengths should be a minimum of 1" long and the head of the opening must be of sufficient strength to withstand the load from the top hung panels.

Sliding Head tracks should be spaced 2 3/8" between centers.

### SIDELITE NARROW HEADER (where used)

The Narrow Header is attached to the top opening with #10 screws using standard installation practices. The Header Adapter is snap fitted to the Header and the Sidelite secured through the assembly into the top opening.

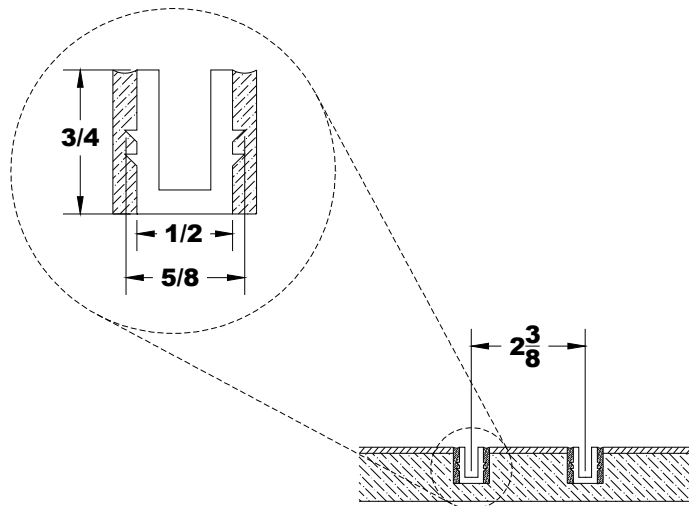
Spacing between Narrow Header and Sliding Head Track is 2 3/8" between centers.



## Bottom Sliding Track Installation

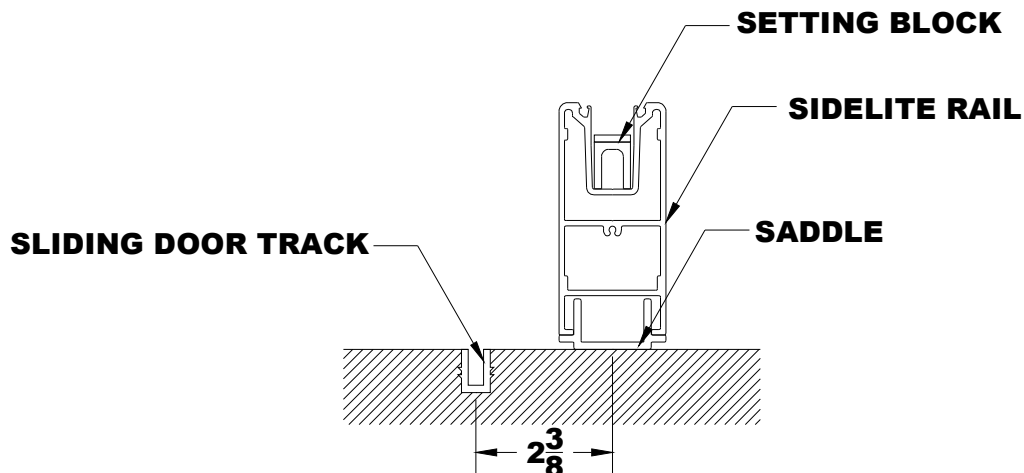
The Bottom Track is set into the floor and is positioned directly under the center of the Sliding Head Track.

For multi track installations, Tracks are to be positioned at  $2\frac{3}{8}$ " between centers.



## Bottom Sidelite Installation

Locate Saddle in position and secure to floor. Position Sidelite Rail onto Saddle. Drill holes through Sidelite Rail and Saddle and secure with screws into the floor.



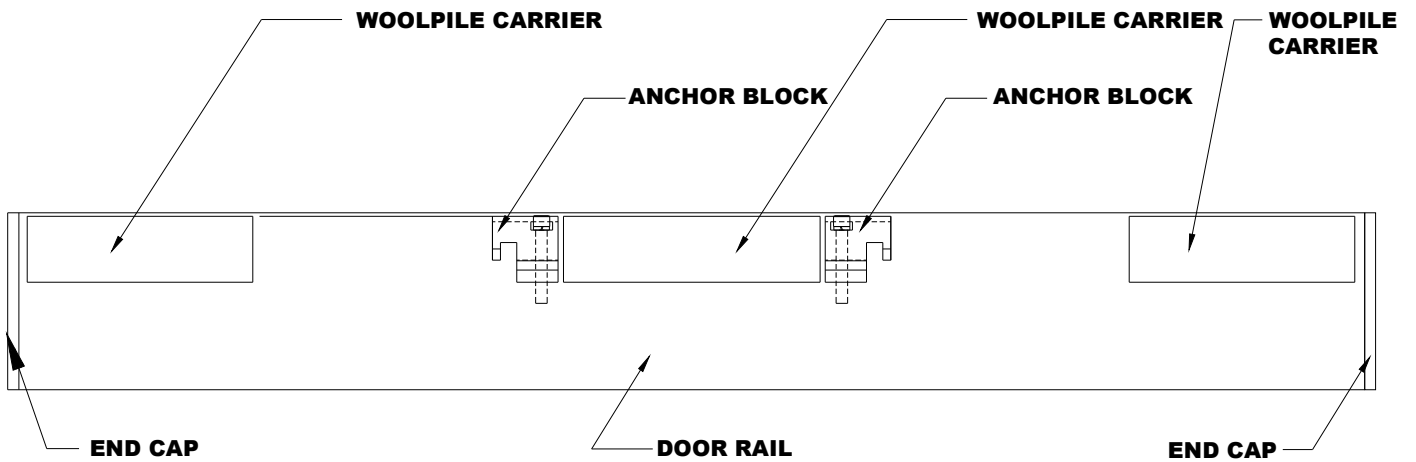
## Door Leaf Assembly

### TOP SLIDING RAIL

Remove the Woolpile Carriers from the Rail.

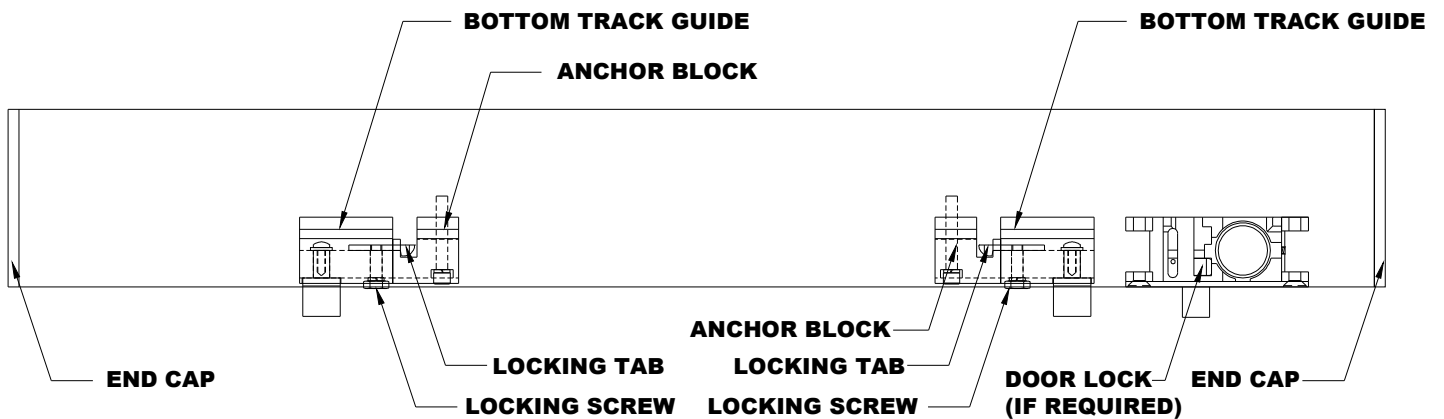
Assemble the Rail to the Glass as directed in the Rail Assembly Instructions included in the packaging. Re-install the center Woolpile Carrier.

Note: The Woolpile Carrier is snap fit, and can be installed by locating it in the desired position and tapping in with a soft mallet.



### BOTTOM SLIDING RAIL

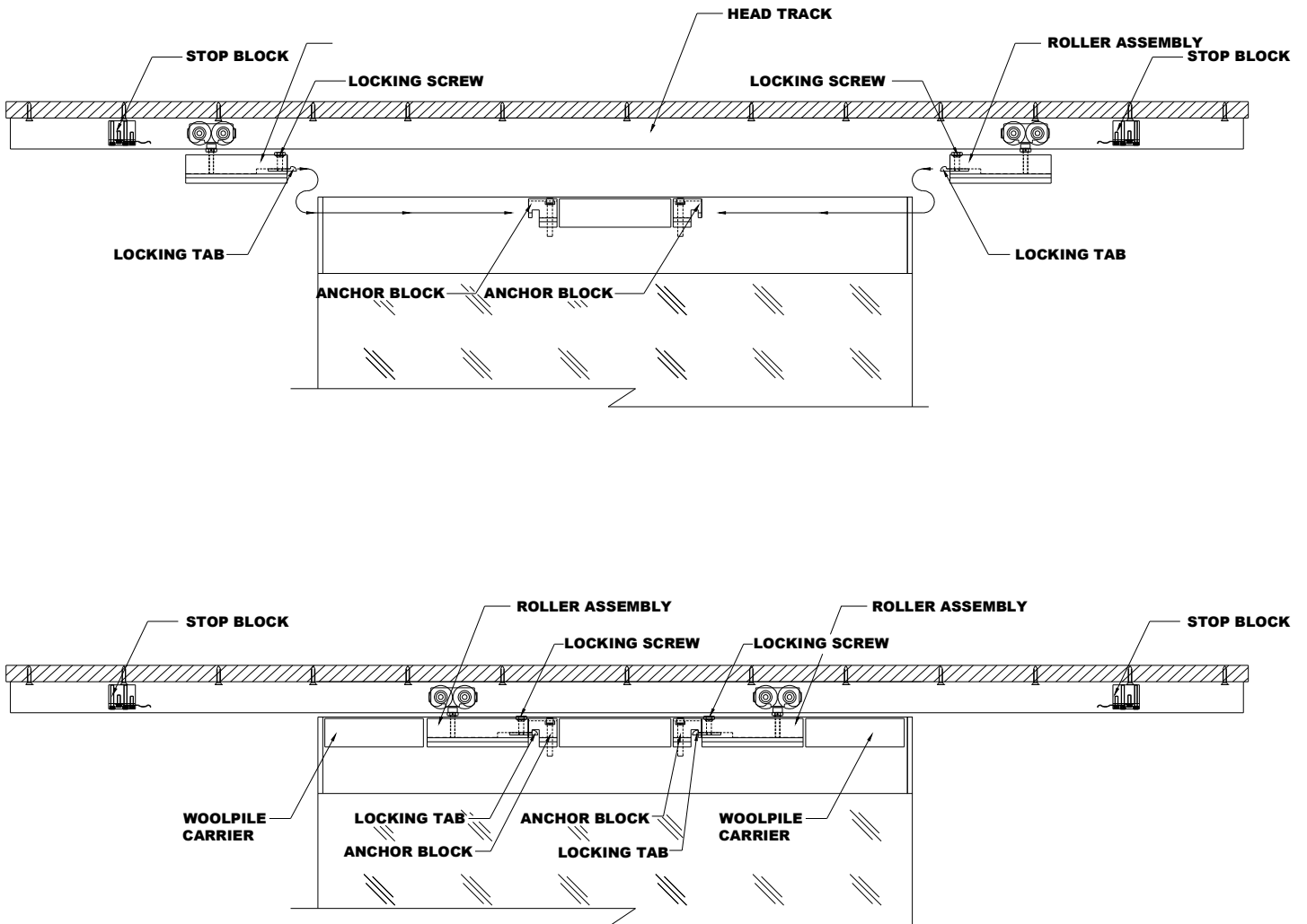
Assemble the Rail to the Glass as directed in the Rail Assembly Instructions included in the packaging.



## Sliding Door Leaf Installation

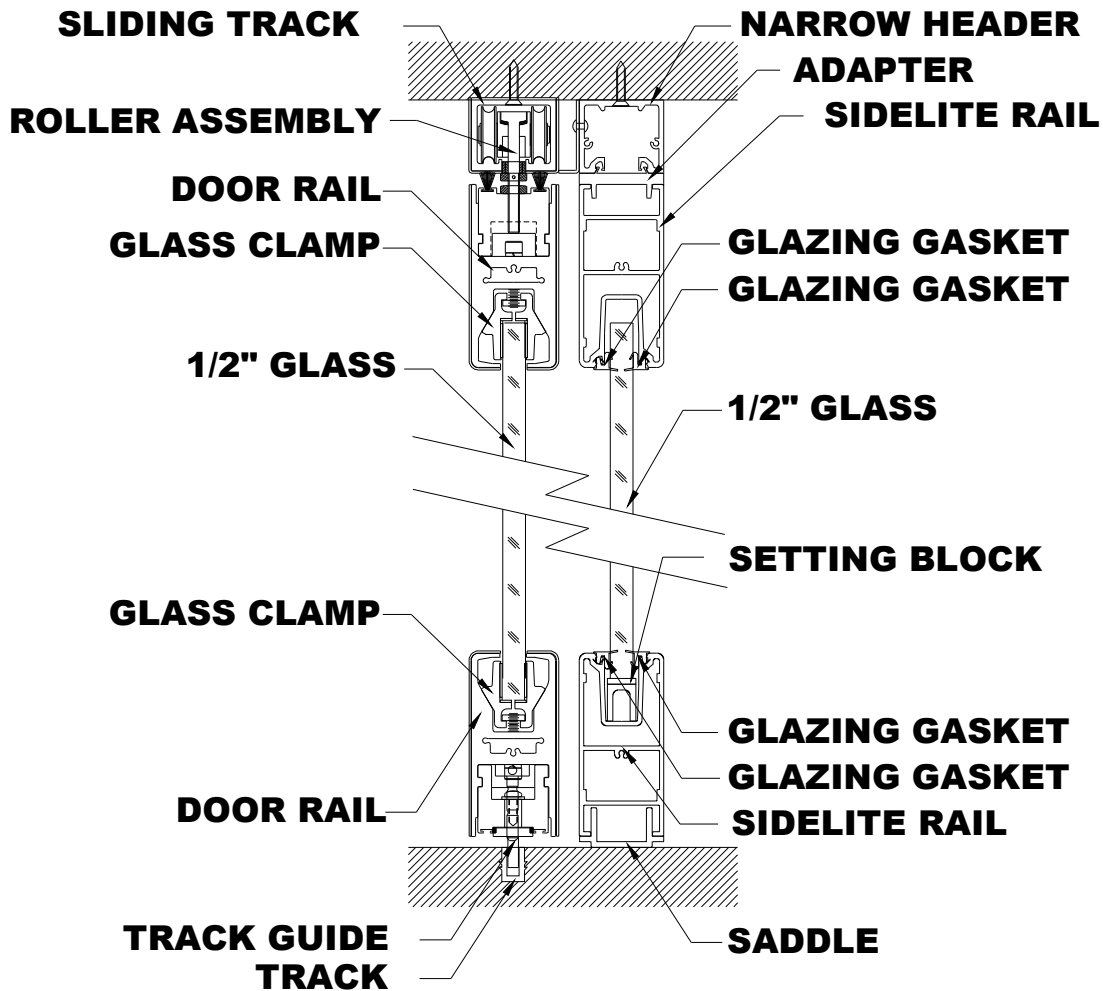
Remove End Caps. Lift Sliding Door Leaf and insert Bottom Track Guides into Bottom Track. Align one end of the Top Rail with a Roller Assembly Block. Slide the Roller Assembly Block into the Top Rail until it contacts with the Anchor Block. While maintaining contact between Roller Assembly Block and Anchor Block, tighten the locking screw.

Repeat this process at the other end of the top Rail.  
 Insert the woolpile carriers into each end of the Rail. Replace the End Caps.



## Sidelite Installation

Ensure Setting Blocks are spaced evenly across bottom rail. Raise glass panel up into glazing pocket of top rail. Move bottom of glass over glazing pocket of bottom rail and lower it in. Ensure glass is in desired position then secure with Glazing Gasket.

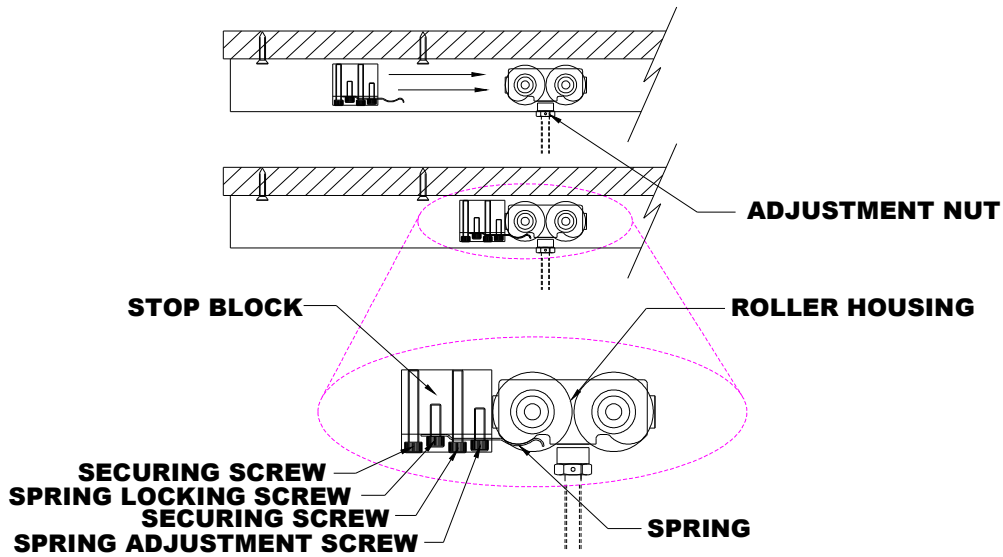




## Final Assembly

Locate door in the closed position required. Move Stop Block against Roller Assembly so that the Spring is over the Roller Housing. Lock the Stop Block by tightening the two securing screws. Adjust the breakaway tension with the Spring Adjustment Screw.

Re-Locate the door in the open position and repeat the above procedure. If height adjustment is required, rotate the Adjustment Nut in the Roller Assembly.



If height adjustment is required, Take weight off of door, slacken securing screw with hex wrench, rotate Adjustment Nut to desired position and re-tighten securing screw.

