

VICTORIA AND PLYMOUTH SERIES HINGES

NEW!

IDEAL FOR WIDER, HEAVIER, FRAMELESS SHOWER DOORS

- Integrated Safety Interlock Enhances Glass Panel Control
- Bumpers in Both Swing Directions for Added Finish Protection
- Wall Mount and 180 Degree Glass-to-Glass Models Available
- Angle Adjustment Component for Ideal Door Positioning
- Designed for 3/8" and 1/2" (10 and 12 mm) Tempered Safety Glass



VICTORIA SERIES

- Square Corners



MODEL VCT037
Wall Mount



MODEL VCT180
180 Degree Glass-To-Glass

Victoria and Plymouth Series Door Hinges have the unique ability of supporting wider, heavier doors [maximum weight 140 lb (64 kg), maximum width 39" (1 m)] using only two hinges instead of three. This produces a frameless aesthetic by reducing the amount of hardware needed. Both the Victoria and Plymouth Series utilize an integrated stiffening beam to minimize clamping plate flex, resulting in exceptional holding power. They also deliver increased self-centering force, and heat-treated stainless steel springs produce enhanced durability. The Victoria Hinge has square edges, while the Plymouth Hinge has beveled edges.

Stock Finishes



SPECIFICATIONS:

- Glass Thickness:** 3/8" and 1/2" (10 and 12 mm) Tempered Safety Glass
- Construction:** Solid Brass
- Hinge Swings:** 90 degrees in and 90 degrees out (at factory set position)
- Closing Type:** Self-Centering when within 15 degrees of closed position
- Cut-Out Required**
- Includes:** Gaskets, Screws, and Glass Fabrication Dimensions

3/8" AND 1/2" (10 AND 12 MM) GLASS

*MAXIMUM CAPACITIES	WEIGHT	DOOR WIDTH
USING TWO HINGES	140 lbs/64 kg	39" / 1 m

*NOTE: Do not exceed maximum door weight or width. Do not exceed two hinges per door.

AVDB4222_01/16

PLYMOUTH SERIES

- Beveled Edges



MODEL PLY037
Wall Mount



MODEL PLY180
180 Degree Glass-To-Glass



C.R. LAURENCE COMPANY
crlaurence.com | usalum.com | crl-arch.com

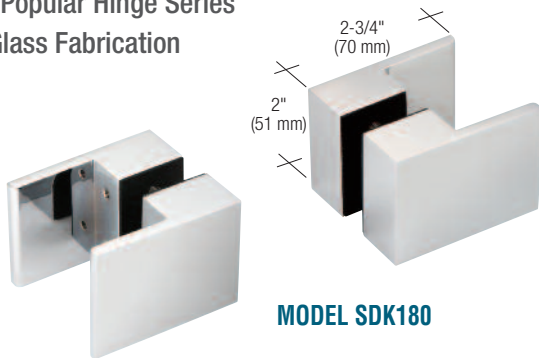
Phone: (800) 421-6144 Ext. 7740 | Email: showers@crlaurence.com

PADDLE STYLE KNOB AND THRU-GLASS SHELF CLAMPS



PADDLE STYLE KNOB

- Excellent Alternative to Everyday Shower Door Handles
- Square Corners to Match Geneva, Vienna, Cardiff, Victoria, and Other Popular Hinge Series
- Requires Glass Fabrication



MODEL SDK180

The **Back-to-Back Paddle Style Knob** certainly provides an alternative look when mounted to a frameless shower enclosure. The flat "paddle" shape appearance, along with square corners, makes it an ideal choice for use with popular hinge series such as Geneva, Vienna, Cardiff, and Victoria. Stocked in seven popular finishes, the Paddle Style Knob requires glass fabrication.

Stock Finishes



SPECIFICATIONS:

Material: Solid Brass

Glass Thickness Range: 1/4" to 1/2" (6 to 12 mm)

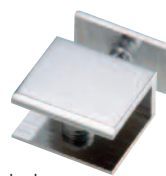
Hole Diameter Required: 1/2" (12 mm)



THRU-GLASS SHELF CLAMPS

- Attractive and Practical Shelf Clamp for Light Articles
- Three Distinct Shapes to Complement Companion Hardware
- Stocked in Six Popular Finishes, With Other Finishes Available

Three distinct shapes of our **Thru-Glass Shelf Clamps** allow matching of popular geometrical shapes for the modern shower enclosure. These solid brass constructed Clamps can be used to hold shampoo bottles, and other light articles. By mounting through the glass, it allows the clamps to be positioned for user convenience. Thru-Glass Shelf Clamps are stocked in six popular finishes, with other finishes available. Clamps are for use with 3/8" and 5/16" (10 and 8 mm) thick tempered safety glass. A maximum shelf depth of 5" (127 mm) is recommended. Glass fabrication is required.



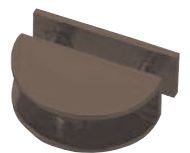
MODEL FA80

Square Shape



MODEL FA81

Rectangular Shape



MODEL FA82

Rounded Shape

Stock Finishes



SPECIFICATIONS:

Material: Solid Brass

Glass Thickness Range: 3/8" and 5/16" (10 and 8 mm)

Glass Fabrication Required: 1/2" (12 mm) Holes

NOTE: Maximum shelf depth of 5" (127 mm) recommended

See CRL's line of Wall Mounted Shelf Clamps at crlaurence.com (Models FA10, FA11, and FA12).



C.R. LAURENCE COMPANY

crlaurence.com | usalum.com | crl-arch.com

Phone: (800) 421-6144 Ext. 7740 | Email: showers@crlaurence.com